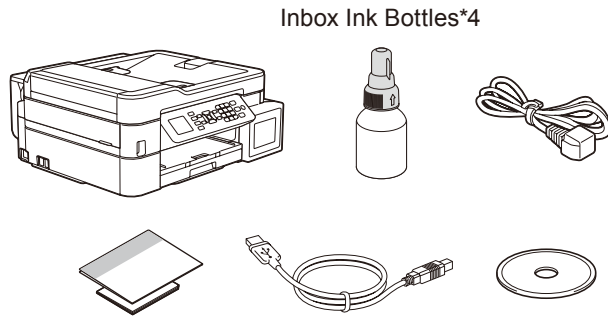


You must follow steps 1 to 8 to complete the setup.

1 Unpack the machine and check the components

Remove the protective tape and the film covering the machine.



NOTE

- Save all packing materials and the box in case you must ship your machine.
- We recommend using a USB 2.0 cable (Type A/B) that is no more than 2 meters long.
- Use a straight-through Category 5 (or greater) twisted-pair cable for 10BASE-T or 100BASE-TX Fast Ethernet Network (not included).

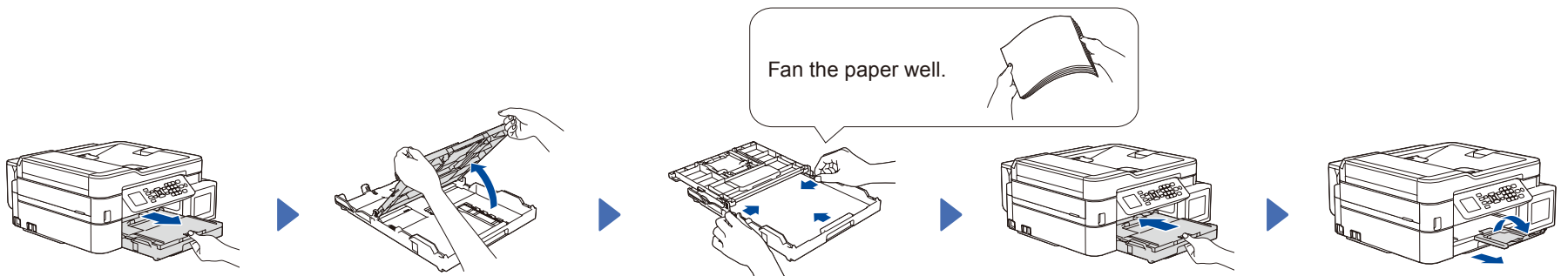
Operation Videos

www.95105369.com



Installation
& Using
Videos

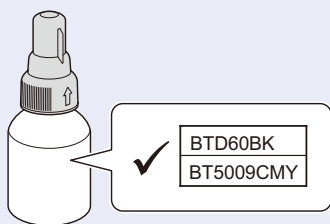
2 Load plain A4 paper in the paper tray



3 Connect the power cord

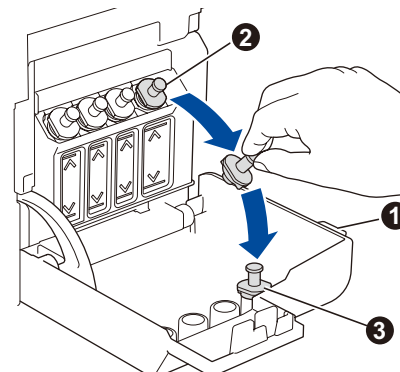
Connect the power cord. The machine powers on automatically.

4 Fill the ink tanks with inbox ink

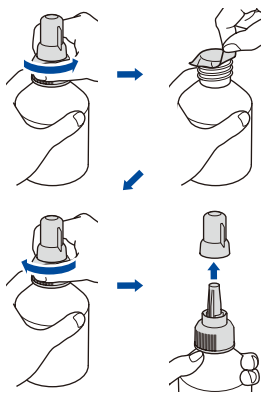


IMPORTANT

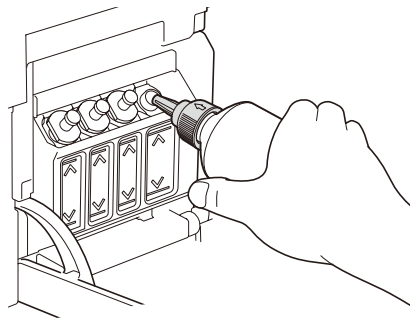
Check the ink bottle model name on the label. Using the incorrect ink may cause damage to the machine.



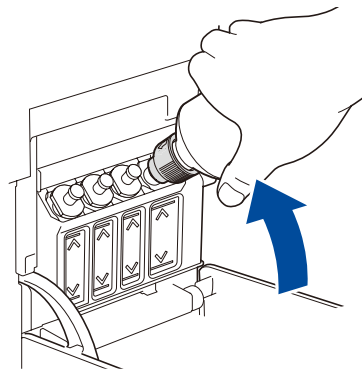
Open the ink tank cover ①, remove the cap ②, and place it on the back of the cover ③.



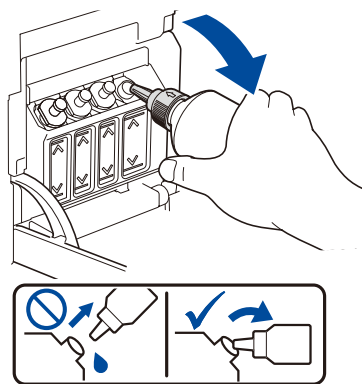
Remove the film and tighten the cap firmly.



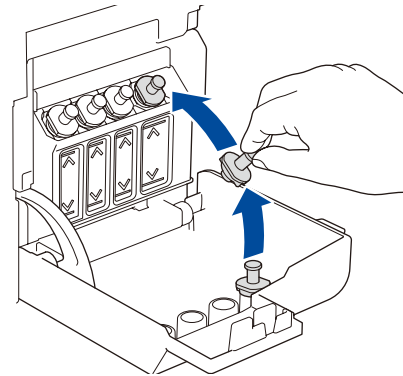
Remove the nozzle cap and insert the bottle nozzle firmly into the ink tank so that the ink does not spill.



The bottle is self-standing and the ink fills automatically until the bottle is empty. To fill the ink tank faster, squeeze the bottle on both sides.



When finished, remove the bottle, pointing the nozzle upward so the ink does not spill.



Replace the ink tank cap. Repeat step 4 for the other ink tanks, and then close the ink tank cover.

5

Set the date and time

Follow the steps on the LCD to set the date and time.

6

Machine settings

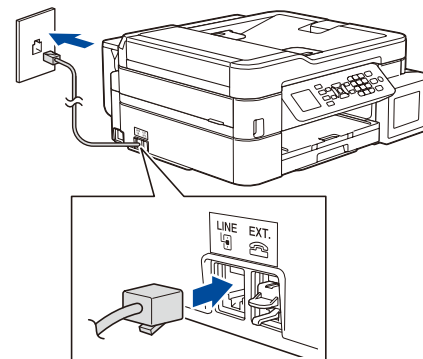
When the machine has finished the initial cleaning process, follow the steps on the LCD to configure the machine settings.

- Set Firmware Update Notice
- Check the print quality
- Configure the paper tray settings

7

Connect the telephone line cord

If you are not using your machine as a fax, go to 8. For more information on using the fax feature, see the *Online User's Guide*.



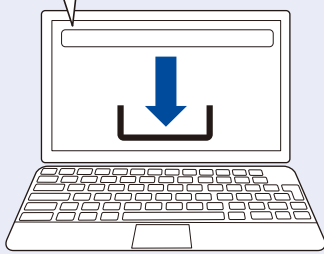
Insert the telephone line cord into the socket marked **LINE**.

Connect your Brother machine and computer/mobile device to the same network.

Install Brother software to use your machine. Visit one of the following websites:

For Computers:

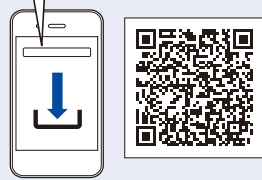
setup.brother.com



For Windows only, CD installation is also available.

For Mobile Devices:

brother.com/apps

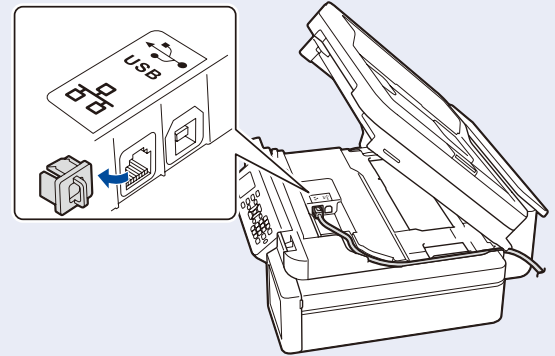


Install the **Brother iPrint&Scan** application.

Follow the on-screen instructions.

For Wired Network Connection and USB Connection:

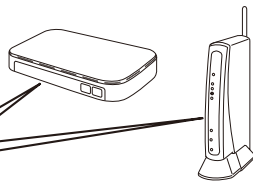
Use the correct port (based on the cable you are using) inside the machine, as shown.




Manual wireless setup (if needed)

Find the SSID (Network Name) and Network Key (Password) on your wireless access point/router.

SSID: XXXXXXXX
Network Key: XXXX



If you cannot find this information, ask your network administrator or wireless access point/router manufacturer.

1. Go to your machine and press .
2. Press **OK** to select [Find Wi-Fi Network].
The [Enable WLAN?] message appears on the LCD.
3. Press **▶** to select Yes.

Select the SSID (Network Name) for your access point/router and enter the Network Key (Password).
For more information, see *Enter Text on Your Brother Machine* in the *Online User's Guide*.

When the wireless setup is successful, the LCD displays [Connected].

Setup Complete

兄弟畅享印(WeChat Mini Program)

Your machine can print through an applet of WeChat, which is called "兄弟畅享印".
"兄弟畅享印" lets you wirelessly print photos and documents without the need to install an app or a driver.

Binding your printer before using above print function for the first time.
Please scan the QR code on the right for operation instructions.





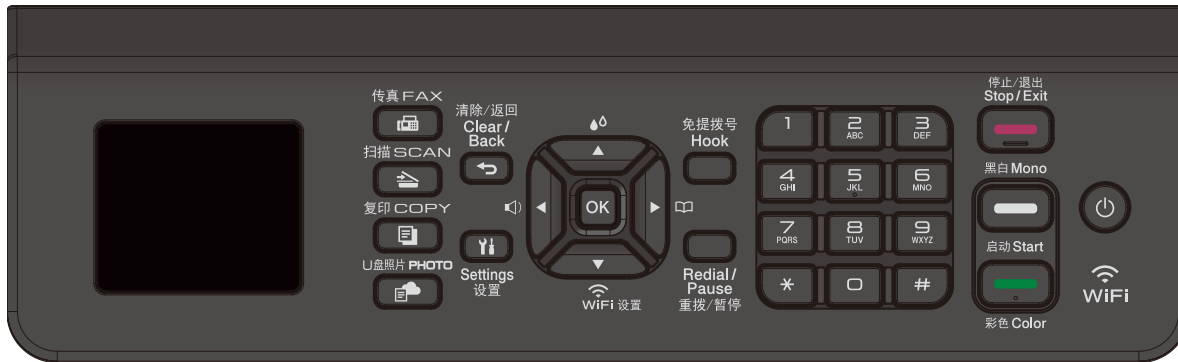
For detailed machine operation, see the *Online User's Guide*:

www.95105369.com



Using & Troubleshooting

Control Panel Overview



- Copy**
 1. Place the document **face down** on the scanner glass.
 2. Press **COPY**.*
 3. Press **Mono Start** or **Color Start**.

* For multiple Copy, press numerical keys directly.
- Scan**
 1. Place the document **face down** on the scanner glass.
 2. Press **Scan**.
 3. Follow the on-screen instructions, press **▲** or **▼** to select scanning file format and the computer where you send data and so on settings, and then press **OK**.
 4. Press **Mono Start** or **Color Start**.
- Additional settings**

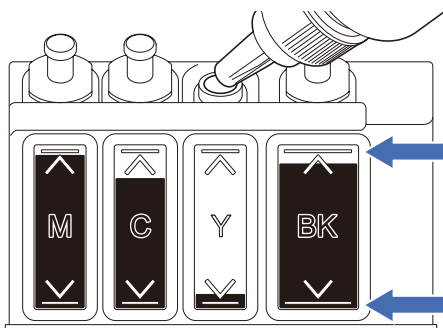
Follow the on-screen instructions, press **▲** or **▼** to select options, and then press **OK** to confirm.

Machine Settings

The machine's settings are set from the application (**Brother iPrint&Scan** or **Brother Utilities**) on your computer or mobile device.

Important Notice for Network Security: The default password to manage this machine's settings is located on the back of the machine and marked "Pwd". We recommend immediately changing the default password to protect your machine from unauthorized access. See the *Online User's Guide*.

Check Ink Volume



DO NOT fill the ink tank past the maximum fill mark.

When the ink level reaches the lower line, refill the ink tank as soon as possible.

Improve Print Quality

Clean the print head.

- Press **▲**.
- Press **▲** or **▼** to select [Print Head Cleaning] > [Black only], [Color only] or [All] > [Normal], [Strong] or [Strongest], and then press **OK**.
- Press **▶**.