**Robert Bosch GmbH**

Power Tools Division
70745 Leinfelden-Echterdingen
Germany

www.bosch-pt.com

1 609 929 W31 (2011.03) PS / 457 UNI



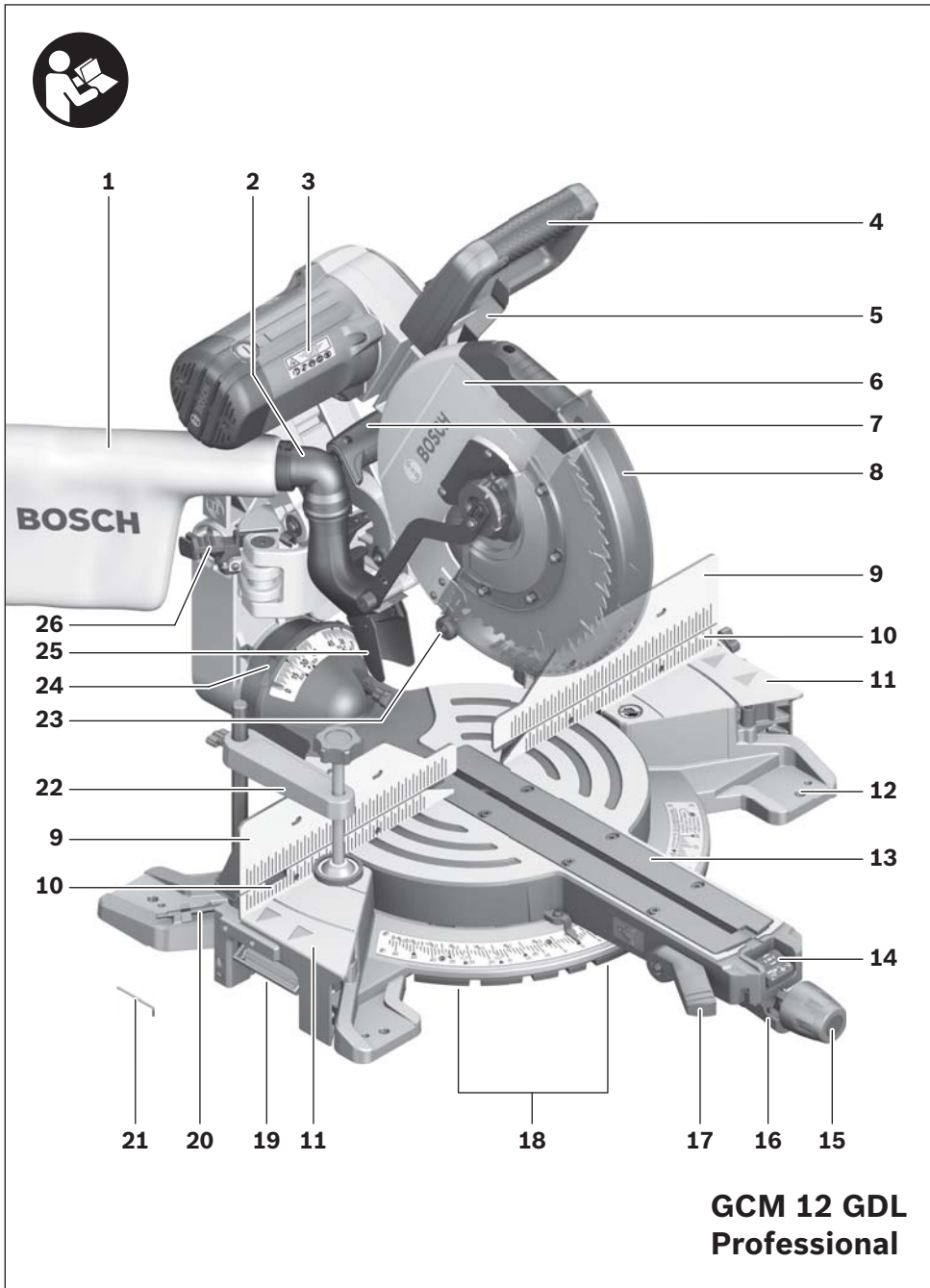
1 609 929 X31

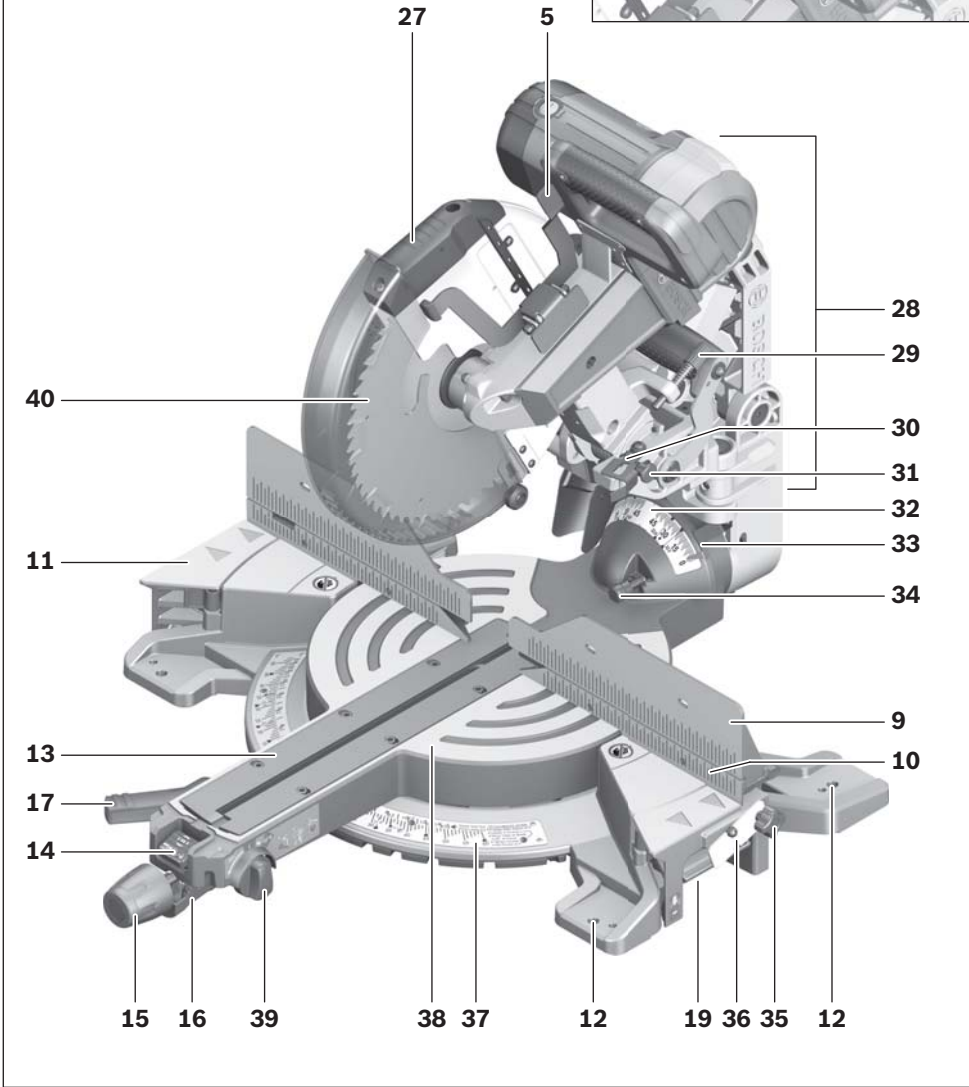
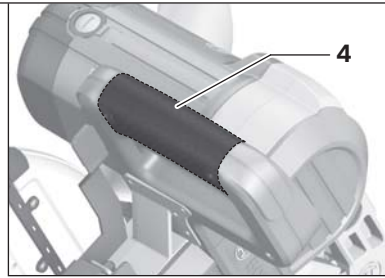
GCM 12 GDL Professional



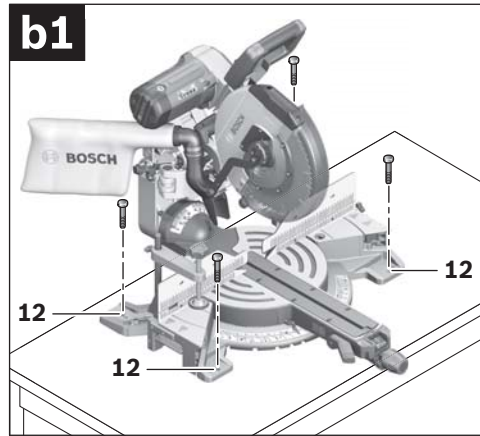
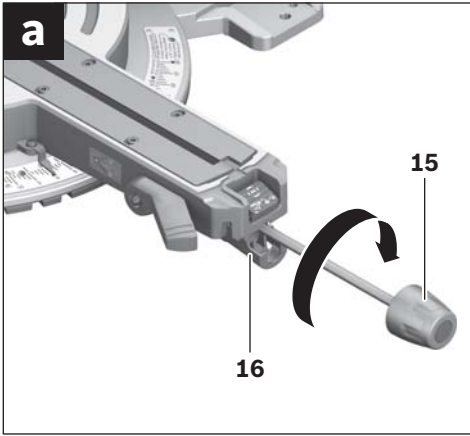
de Originalbetriebsanleitung	el Πρωτότυπο οδηγιών χρήσης	sr Originalno uputstvo za rad
en Original instructions	tr Orijinal işletme talimatı	sl Izvirna navodila
fr Notice originale	pl Instrukcja oryginalna	hr Originalne upute za rad
es Manual original	cs Původní návod k používání	et Algupärane kasutusjuhend
pt Manual original	sk Pôvodný návod na použitie	lv Instrukcijas oriģinālvalodā
it Istruzioni originali	hu Eredeti használati utasítás	lt Originali instrukcija
nl Oorspronkelijke gebruiksaanwijzing	ru Оригинальное руководство по эксплуатации	ar تعليمات التشغيل الأصلية
da Original brugsanvisning	uk Оригінальна інструкція з експлуатації	fa راهنمای طرز کار اصلی
sv Bruksanvisning i original	ro Instrucțiuni originale	
no Original driftsinstruks	bg Оригинална инструкция	
fi Alkuperäiset ohjeet		

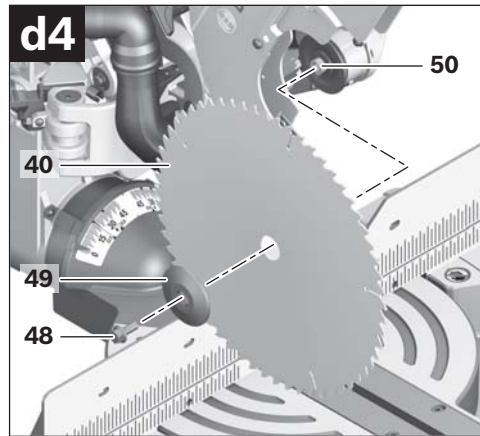
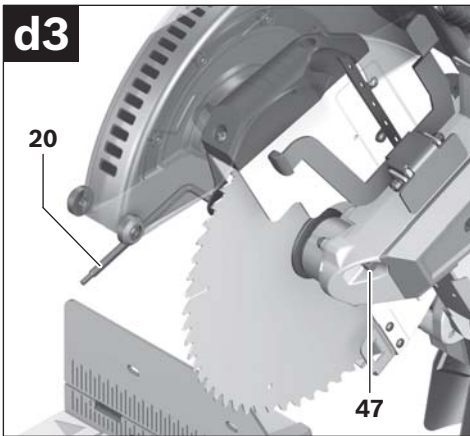
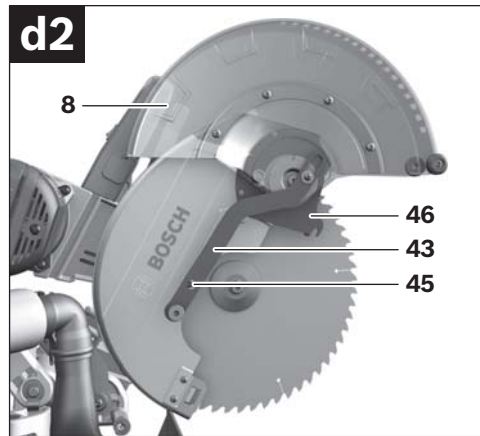
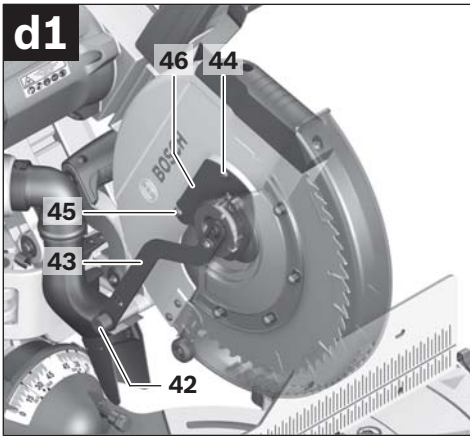
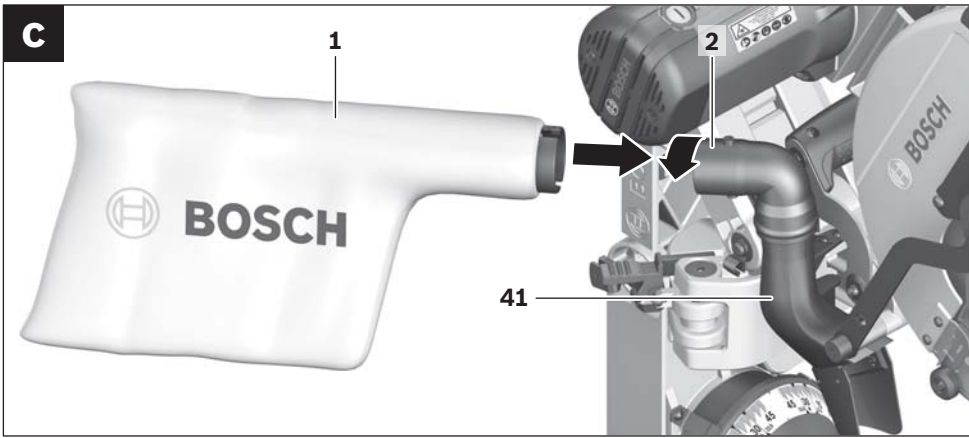


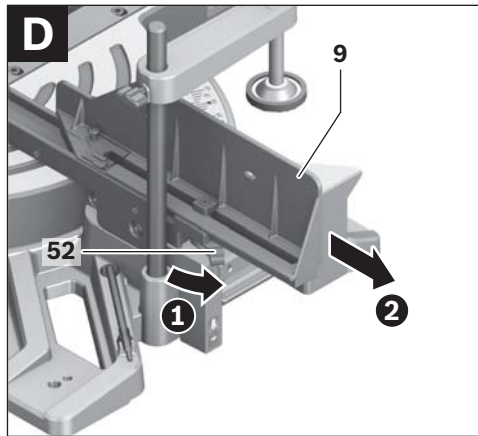
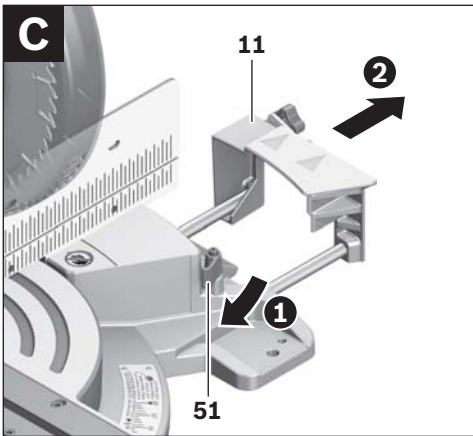
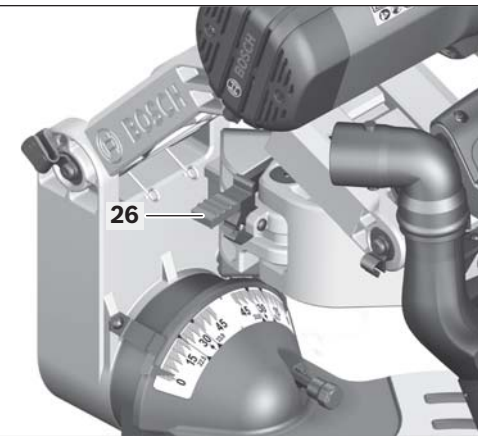
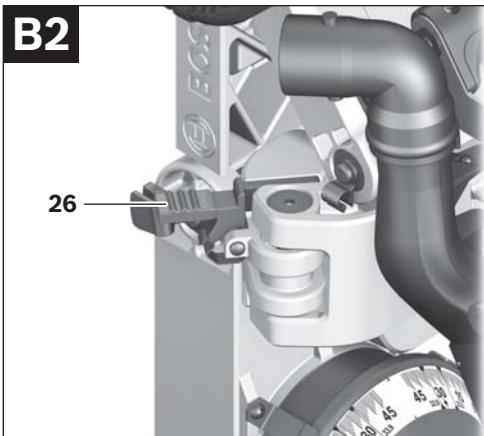
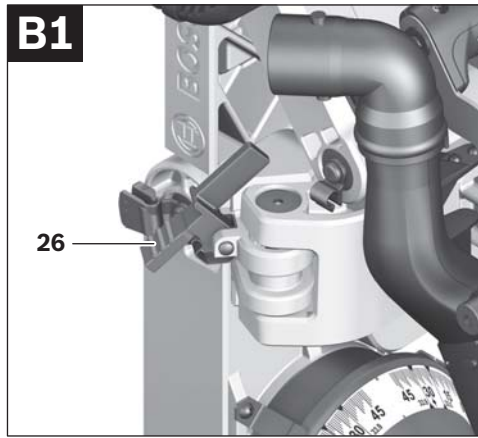
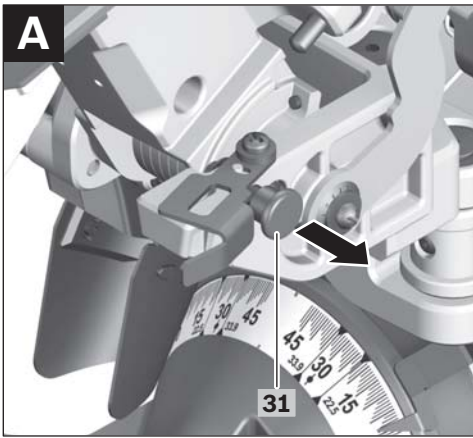


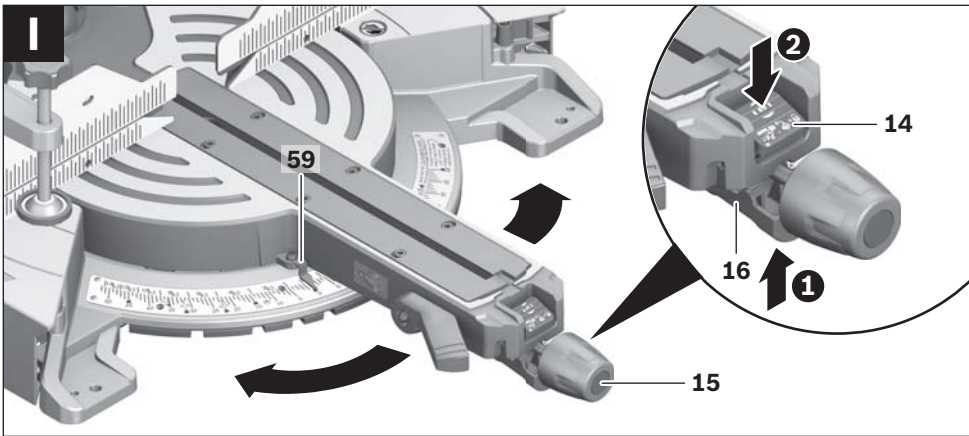
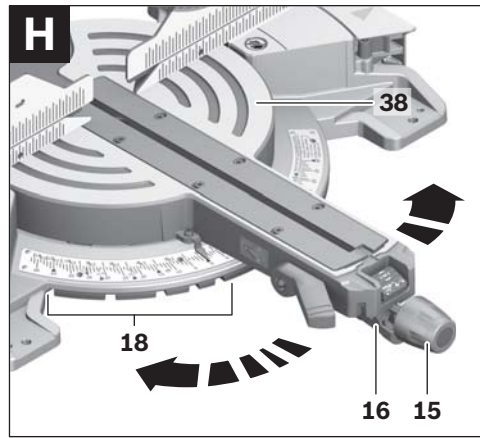
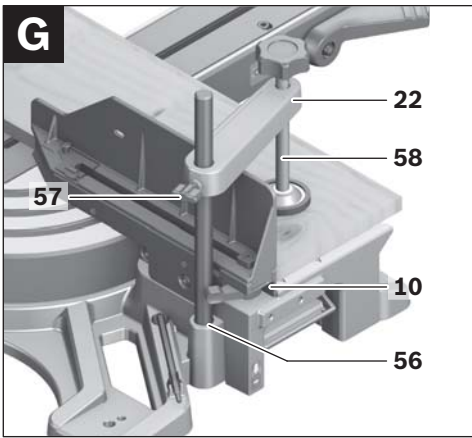
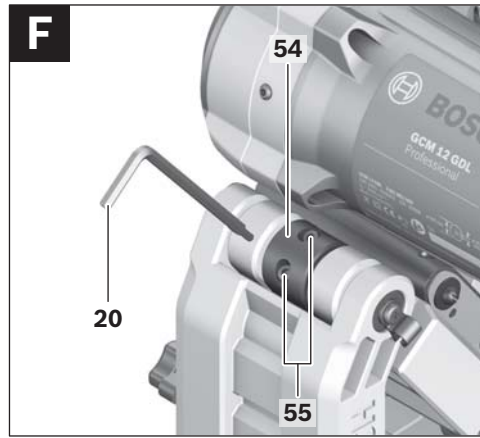
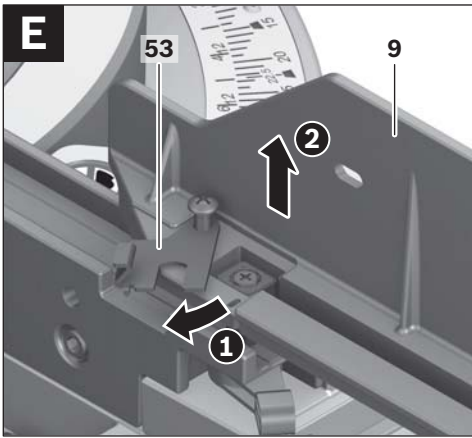


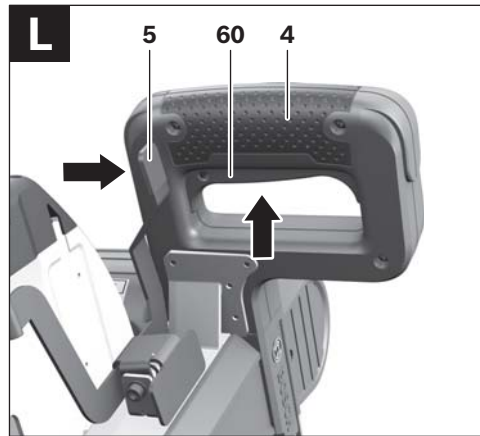
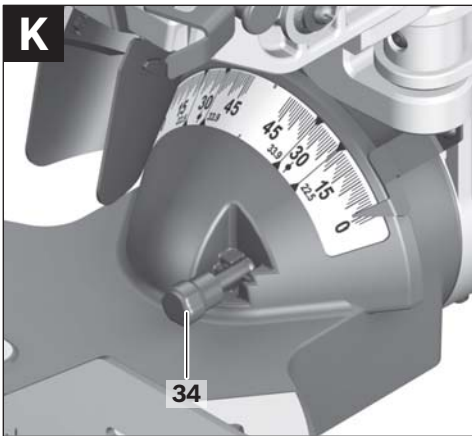
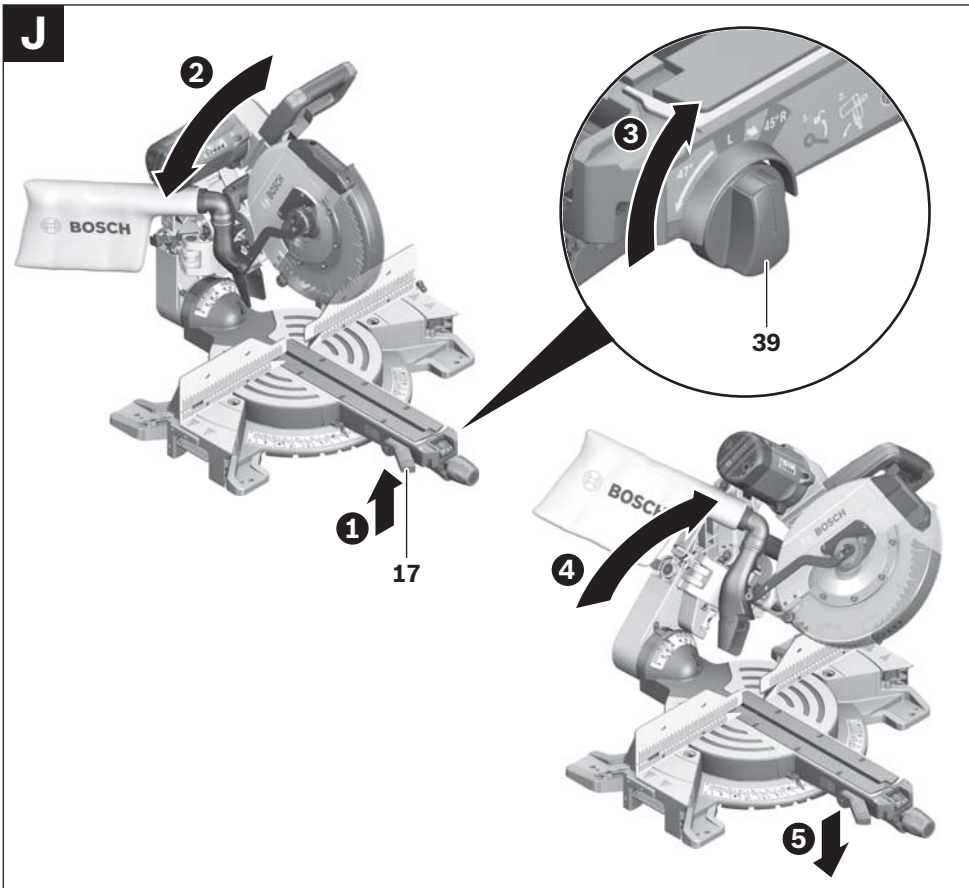


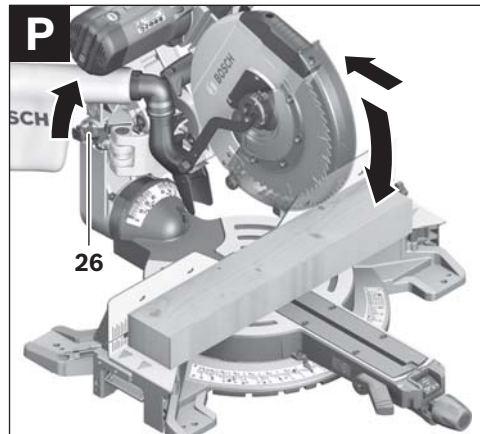
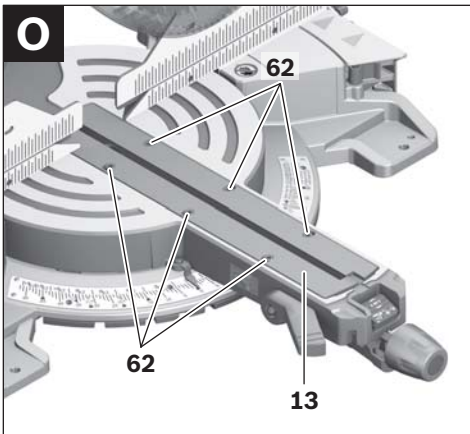
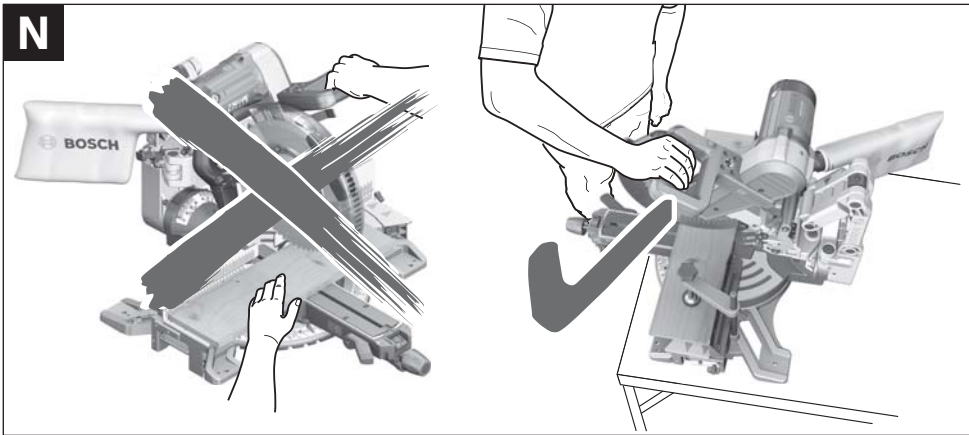
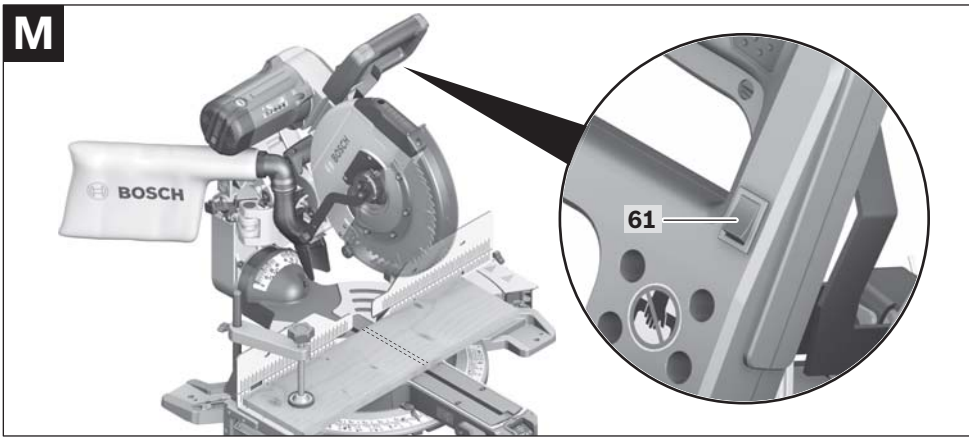




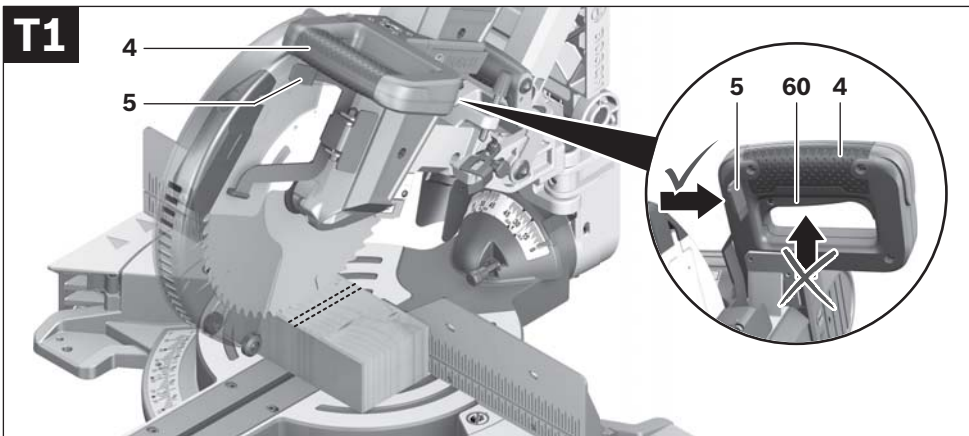
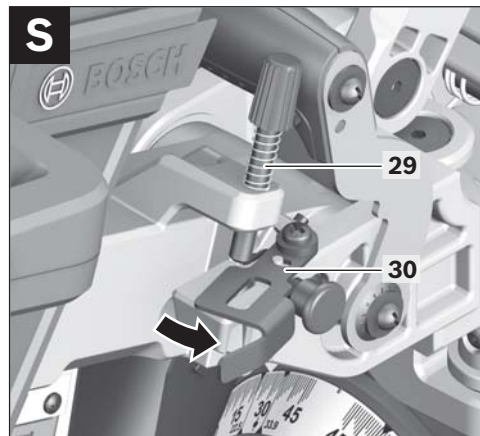
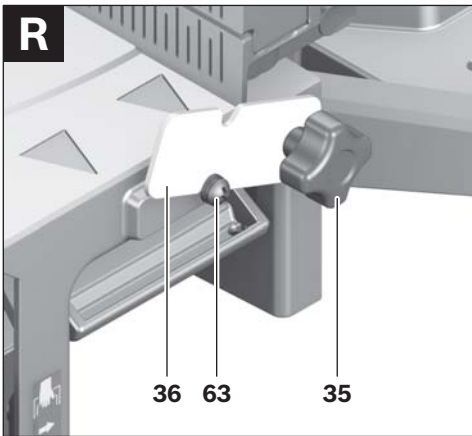
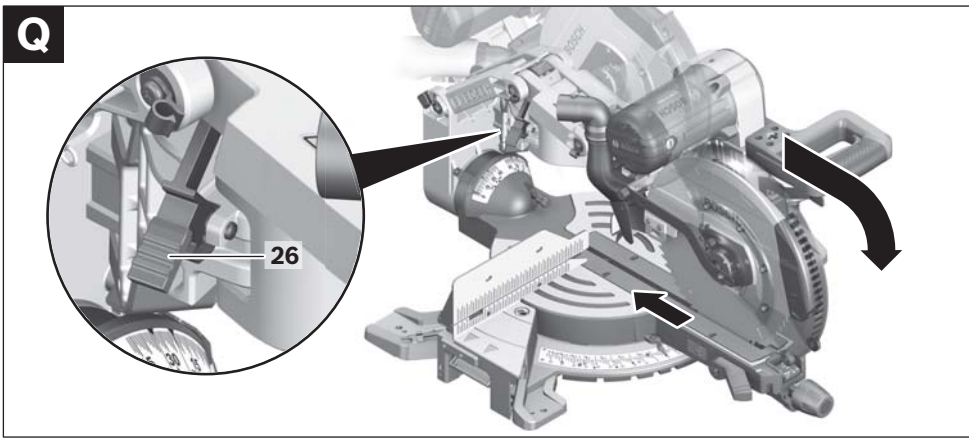


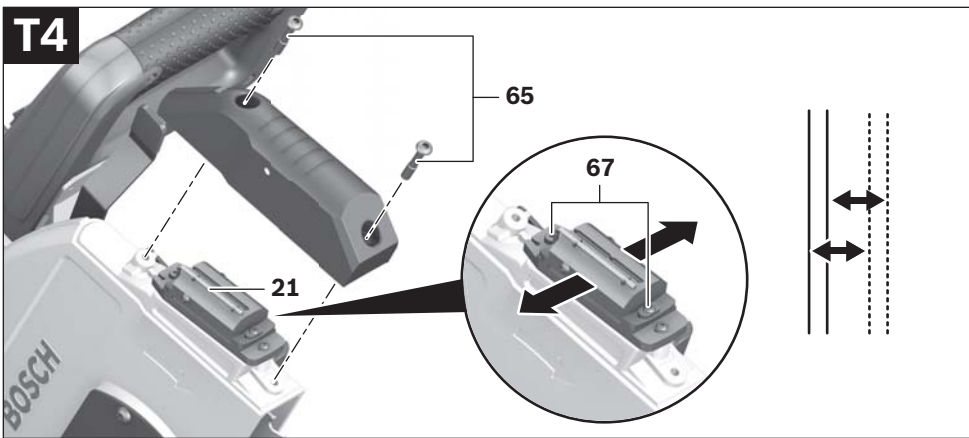
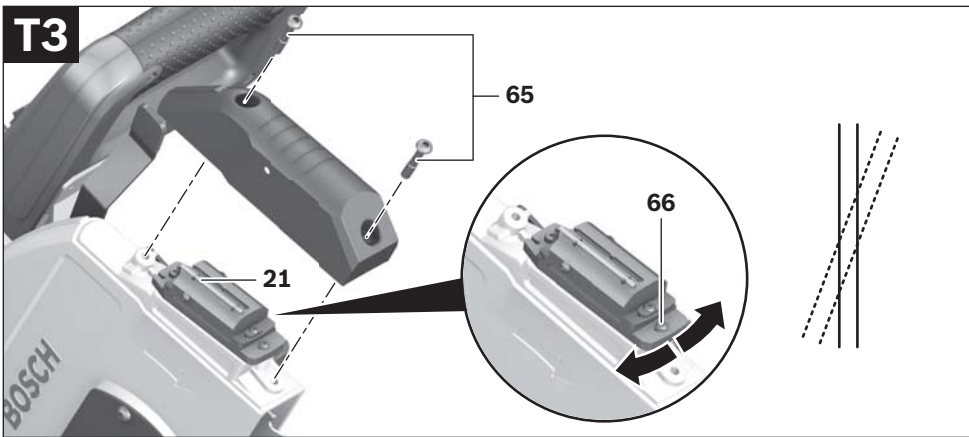
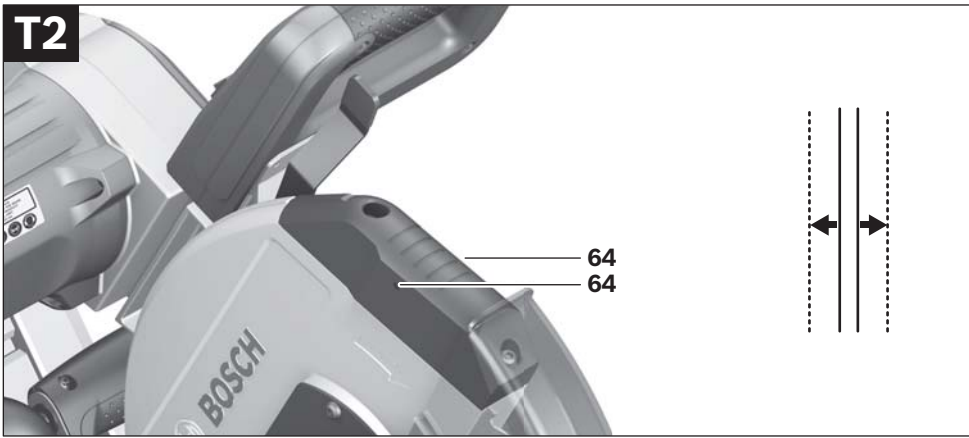


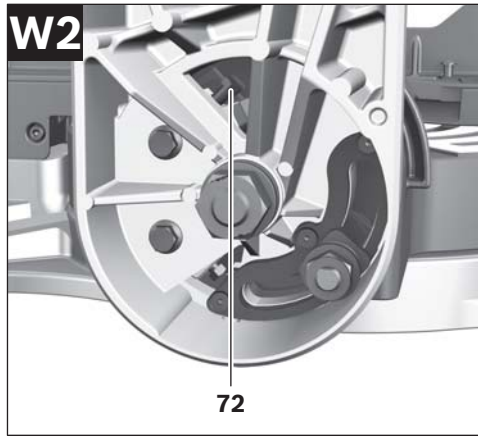
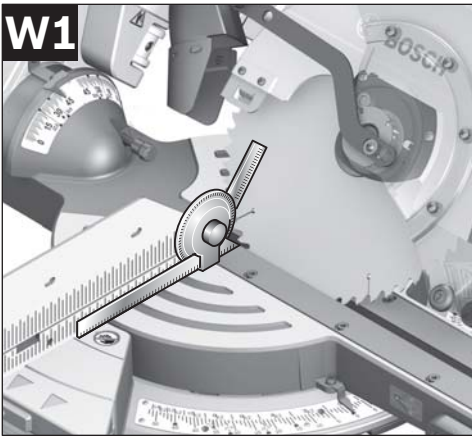
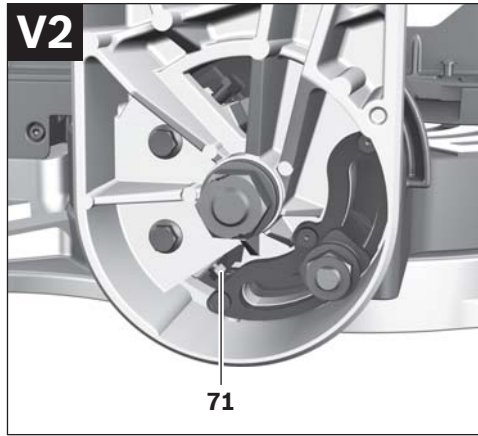
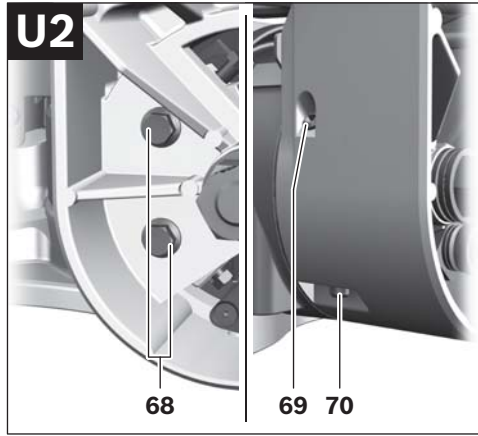
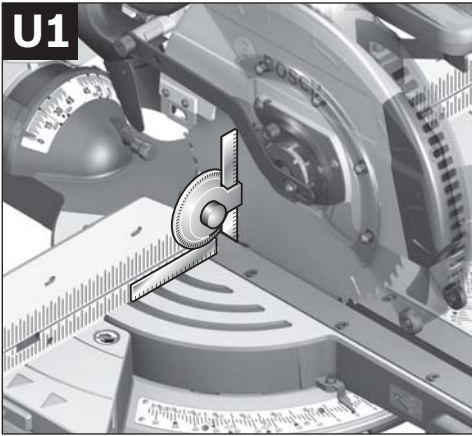


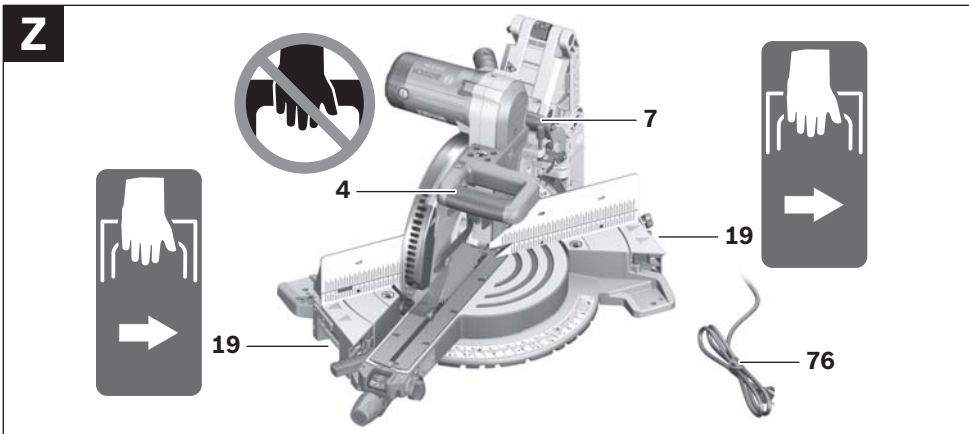
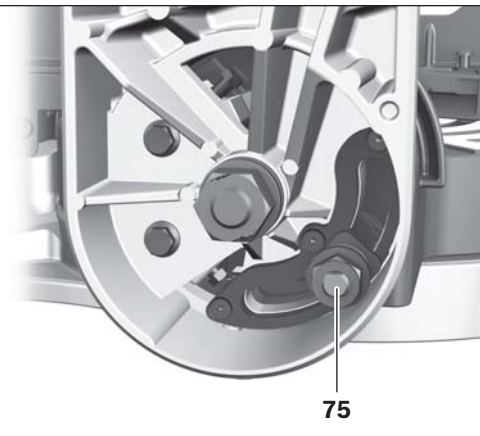
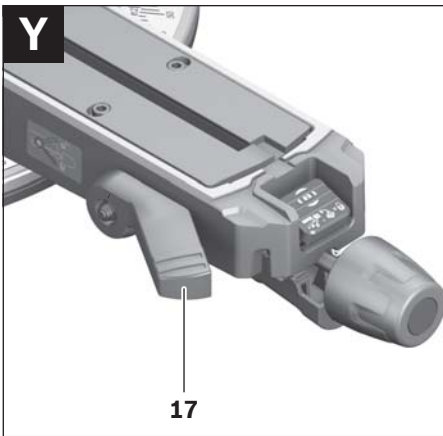
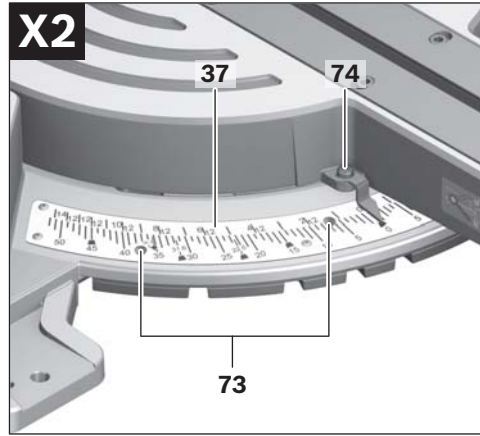
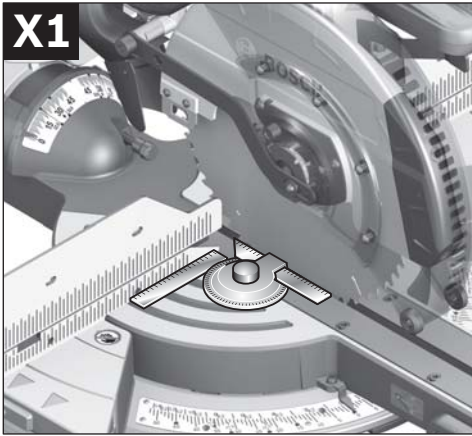


12 |









Arbeitsleuchte MSLED 170

EU	3 601 M25 000
CH	3 601 M25 030
UK	3 601 M25 070

Sägeblätter für Holz und Plattenmaterialien, Paneelen und Leisten

Sägeblatt 305 x 30 mm, 60 Zähne	2 608 641 768
--	---------------

Sägeblätter für Kunststoff und Nichteisenmetalle

Sägeblatt 305 x 30 mm, 96 Zähne	2 608 642 099
Sägeblatt 305 x 30 mm, 96 Zähne	2 608 640 453

Sägeblätter für alle Laminatfußbodenarten

Sägeblatt 305 x 30 mm, 96 Zähne	2 608 642 137
--	---------------

Kundendienst und Kundenberatung

Der Kundendienst beantwortet Ihre Fragen zu Reparatur und Wartung Ihres Produkts sowie zu Ersatzteilen. Explosionszeichnungen und Informationen zu Ersatzteilen finden Sie auch unter:

www.bosch-pt.com

Das Bosch-Kundenberater-Team hilft Ihnen gerne bei Fragen zu Kauf, Anwendung und Einstellung von Produkten und Zubehör.

www.powertool-portal.de, das Internetportal für Handwerker und Heimwerker.

www.ewbc.de, der Informations-Pool für Handwerk und Ausbildung.

Deutschland

Robert Bosch GmbH
Servicezentrum Elektrowerkzeuge
Zur Luhne 2
37589 Kalefeld – Willershausen
Tel. Kundendienst: +49 (1805) 70 74 10*
Fax: +49 (1805) 70 74 11*
(* Festnetzpreis 14 ct/min, höchstens 42 ct/min aus Mobilfunknetzen)
E-Mail: Servicezentrum.Elektrowerkzeuge@de.bosch.com
Tel. Kundenberatung: +49 (1803) 33 57 99
(Festnetzpreis 9 ct/min, höchstens 42 ct/min aus Mobilfunknetzen)
Fax: +49 (711) 7 58 19 30
E-Mail: kundenberatung.ew@de.bosch.com

Österreich

Tel.: +43 (01) 7 97 22 20 10
Fax: +43 (01) 7 97 22 20 11
E-Mail: service.elektrowerkzeuge@at.bosch.com

Schweiz

Tel.: +41 (044) 8 47 15 11
Fax: +41 (044) 8 47 15 51

Luxemburg

Tel.: +32 (070) 22 55 65
Fax: +32 (070) 22 55 75
E-Mail: outillage.gereedschap@be.bosch.com

Entsorgung

Elektrowerkzeuge, Zubehör und Verpackungen sollen einer umweltgerechten Wiederverwertung zugeführt werden.

Werfen Sie Elektrowerkzeuge nicht in den Hausmüll!

Nur für EU-Länder:

Gemäß der Europäischen Richtlinie 2002/96/EG über Elektro- und Elektronik-Altgeräte und ihrer Umsetzung in nationales Recht müssen nicht mehr gebrauchsfähige Elektrowerkzeuge getrennt gesammelt und einer umweltgerechten Wiederverwertung

zugeführt werden.

Änderungen vorbehalten.

English**Safety Notes****General Power Tool Safety Warnings**

⚠ WARNING When using electric tools basic safety precautions should always be followed to reduce the risk of fire, electric shock and personal injury including the following.

Read all these instructions before attempting to operate this product and save these instructions.

The term "power tool" in the warnings refers to your mains-operated (corded) power tool or battery-operated (cordless) power tool.

Work area safety

- ▶ **Keep work area clean and well lit.** Cluttered or dark areas invite accidents.
- ▶ **Do not operate power tools in explosive atmospheres, such as in the presence of flammable liquids, gases or dust.** Power tools create sparks which may ignite the dust or fumes.
- ▶ **Keep children and bystanders away while operating a power tool.** Distractions can cause you to lose control.

Electrical safety

- ▶ **Power tool plugs must match the outlet. Never modify the plug in any way. Do not use any adapter plugs with earthed (grounded) power tools.** Unmodified plugs and matching outlets will reduce risk of electric shock.
- ▶ **Avoid body contact with earthed or grounded surfaces, such as pipes, radiators, ranges and refrigerators.** There is an increased risk of electric shock if your body is earthed or grounded.

32 | English

- ▶ **Do not expose power tools to rain or wet conditions.** Water entering a power tool will increase the risk of electric shock.
- ▶ **Do not abuse the cord. Never use the cord for carrying, pulling or unplugging the power tool. Keep cord away from heat, oil, sharp edges and moving parts.** Damaged or entangled cords increase the risk of electric shock.
- ▶ **When operating a power tool outdoors, use an extension cord suitable for outdoor use.** Use of a cord suitable for outdoor use reduces the risk of electric shock.
- ▶ **If operating a power tool in a damp location is unavoidable, use a residual current device (RCD) protected supply.** Use of an RCD reduces the risk of electric shock.

Personal safety

- ▶ **Stay alert, watch what you are doing and use common sense when operating a power tool. Do not use a power tool while you are tired or under the influence of drugs, alcohol or medication.** A moment of inattention while operating power tools may result in serious personal injury.
- ▶ **Use personal protective equipment. Always wear eye protection.** Protective equipment such as dust mask, non-skid safety shoes, hard hat, or hearing protection used for appropriate conditions will reduce personal injuries.
- ▶ **Prevent unintentional starting. Ensure the switch is in the off-position before connecting to power source and/or battery pack, picking up or carrying the tool.** Carrying power tools with your finger on the switch or engaging power tools that have the switch on invites accidents.
- ▶ **Remove any adjusting key or wrench before turning the power tool on.** A wrench or a key left attached to a rotating part of the power tool may result in personal injury.
- ▶ **Do not overreach. Keep proper footing and balance at all times.** This enables better control of the power tool in unexpected situations.
- ▶ **Dress properly. Do not wear loose clothing or jewellery. Keep your hair, clothing and gloves away from moving parts.** Loose clothes, jewellery or long hair can be caught in moving parts.
- ▶ **If devices are provided for the connection of dust extraction and collection facilities, ensure these are connected and properly used.** Use of dust collection can reduce dust-related hazards.

Power tool use and care

- ▶ **Do not force the power tool. Use the correct power tool for your application.** The correct power tool will do the job better and safer at the rate for which it was designed.
- ▶ **Do not use the power tool if the switch does not turn it on and off.** Any power tool that cannot be controlled with the switch is dangerous and must be repaired.
- ▶ **Disconnect the plug from the power source and/or the battery pack from the power tool before making any adjustments, changing accessories, or storing power tools.** Such preventive safety measures reduce the risk of starting the power tool accidentally.

- ▶ **Store idle power tools out of the reach of children and do not allow persons unfamiliar with the power tool or these instructions to operate the power tool.** Power tools are dangerous in the hands of untrained users.
- ▶ **Maintain power tools. Check for misalignment or binding of moving parts, breakage of parts and any other condition that may affect the power tool's operation. If damaged, have the power tool repaired before use.** Many accidents are caused by poorly maintained power tools.
- ▶ **Keep cutting tools sharp and clean.** Properly maintained cutting tools with sharp cutting edges are less likely to bind and are easier to control.
- ▶ **Use the power tool, accessories and tool bits etc. in accordance with these instructions, taking into account the working conditions and the work to be performed.** Use of the power tool for operations different from those intended could result in a hazardous situation.

Service

- ▶ **Have your power tool serviced by a qualified repair person using only identical replacement parts.** This will ensure that the safety of the power tool is maintained.

Safety Warnings for Sliding Mitre Saws

- ▶ **The power tool is provided with a warning label in English (marked with number 3 in the representation of the power tool on the graphics page).**



- ▶ **Never make warning signs on the machine unrecognizable.**
- ▶ **Never stand on the power tool.** Serious injuries can occur when the power tool tips over or when inadvertently coming into contact with the saw blade.
- ▶ **Make sure that the guard operates properly and that it can move freely.** Never lock the guard in place when opened.
- ▶ **Never remove cutting remainders, wood chips, etc. from the sawing area while the machine is running.** Always guide the tool arm back to the neutral position first and then switch the machine off.
- ▶ **Guide the saw blade against the workpiece only when the machine is switched on.** Otherwise there is damage of kickback, when the saw blade becomes wedged in the workpiece.
- ▶ **Keep handles dry, clean, and free from oil and grease.** Greasy, oily handles are slippery causing loss of control.
- ▶ **Operate the power tool only when the work area to the workpiece is clear of any adjusting tools, wood chips, etc.** Small pieces of wood or other objects that come in contact with the rotating saw blade can strike the operator with high speed.

- ▶ **Keep the floor free of wood chips and material remainders.** You could slip or trip.
- ▶ **Always firmly clamp the piece to be worked. Do not saw workpieces that are too small to clamp.** Otherwise, the clearance of your hand to the rotating saw blade is too small.
- ▶ **Use the machine only for cutting the materials listed under Intended Use.** Otherwise, the machine can be subject to overload.
- ▶ **If the saw blade should become jammed, switch the machine off and hold the workpiece until the saw blade comes to a complete stop. To prevent kickback, the workpiece may not be moved until after the machine has come to a complete stop.** Correct the cause for the jamming of the saw blade before restarting the machine.
- ▶ **Keep your fingers clear of the movable parts of the glide arm.** Danger of fingers being crushed or contused and considerably injured.
- ▶ **Before switching on and during the complete sawing, hold the handle firmly. While sawing, carry out a controlled motion with the glide arm.** A moment of inattention while operating the extremely smooth-running glide arm can result in serious personal injury.
- ▶ **Always saw through the workpiece from front to rear.** Otherwise, there is danger of kickback when the saw blade becomes wedged in the workpiece.
- ▶ **Do not use dull, cracked, bent or damaged saw blades.** Unsharpened or improperly set saw blades produce narrow kerf causing excessive friction, blade binding and kickback.
- ▶ **Always use saw blades with correct size and shape (diamond versus round) of arbor holes.** Saw blades that do not match the mounting hardware of the saw will run eccentrically, causing loss of control.
- ▶ **Do not use high speed steel (HSS) saw blades.** Such saw blades can easily break.
- ▶ **Do not touch the saw blade after working before it has cooled.** The saw blade becomes very hot while working.
- ▶ **Never operate the machine without the insert plate. Replace a defective insert plate.** Without flawless insert plates, injuries are possible from the saw blade.
- ▶ **Check the cable regularly and have a damaged cable repaired only through an authorised customer service agent for Bosch power tools. Replace damaged extension cables.** This will ensure that the safety of the power tool is maintained.
- ▶ **Store the machine in a safe manner when not being used. The storage location must be dry and lockable.** This prevents the machine from storage damage, and from being operated by untrained persons.
- ▶ **Do not direct the laser beam at persons or animals and do not stare into the laser beam yourself, not even from a distance.** This power tool produces laser class 2 laser radiation according to EN 60825-1. This can lead to persons being blinded.

- ▶ **Do not replace the installed laser with another laser type.** A laser that does not fit to this power tool could pose dangers for other persons.
- ▶ **Secure the workpiece.** A workpiece clamped with clamping devices or in a vice is held more secure than by hand.
- ▶ **Never leave the machine before it has come to a complete stop.** Cutting tools that are still running can cause injuries.
- ▶ **Never use the machine with a damaged cable. Do not touch the damaged cable and pull the mains plug when the cable is damaged while working.** Damaged cables increase the risk of an electric shock.

Products sold in GB only: Your product is fitted with a BS 1363/A approved electric plug with internal fuse (ASTA approved to BS 1362).

If the plug is not suitable for your socket outlets, it should be cut off and an appropriate plug fitted in its place by an authorised customer service agent. The replacement plug should have the same fuse rating as the original plug.

The severed plug must be disposed of to avoid a possible shock hazard and should never be inserted into a mains socket elsewhere.

Products sold in AUS and NZ only: Use a residual current device (RCD) with a rated residual current of 30 mA or less.

Symbols

The following symbols can be important for the operation of your power tool. Please memorise the symbols and their meanings. The correct interpretation of the symbols helps you operate the power tool better and more secure.

Symbols and their meaning



Laser Radiation
Do not stare into beam
Class 2 laser product



Keep hands away from the cutting area while the machine is running. Danger of injury when coming in contact with the saw blade.



Wear a dust respirator.



Wear safety goggles.

34 | English

Symbols and their meaning



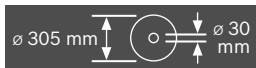
Wear ear protectors. Exposure to noise can cause hearing loss.



Danger area! Keep hands, fingers or arms away from this area.



Keep your fingers clear of the movable parts of the glide arm. Danger of fingers being crushed or contused and considerably injured.



Observe the dimensions of the saw blade. The hole diameter must match the tool spindle without play. Do not use reducers or adapters.



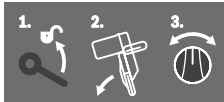
When transporting the machine, hold it only at the locations indicated (recessed handles) or by the transport handle.



Never carry the power tool via the handle of the glide arm.



Bevel lock lever open:
Adjusting bevel angles is possible.
Bevel lock lever shut:
The set bevel angle of the glide arm is locked.



Indicates the individual steps for adjusting the bevel angle.

1. Loosen lock lever
2. Tilt the glide arm lightly leftward
3. Set the desired bevel angle range on the rotary knob

Symbols and their meaning

Setting bevel angle ranges on the rotary knob



Saw blade is inclined to the left (45° to 0°)



Saw blade is inclined to the right (0° to 45°)



Total tilting range of the glide arm (–47° to +47°)



For adjustment of random mitre angles, the saw table must move freely and the mitre detent override must be blocked:

- Pull lever ① and at the same time push the mitre detent override ② downward at the front



Do not dispose of power tools into household waste!

Only for EC countries:

According to the European Guideline 2002/96/EC for Waste Electrical and Electronic Equipment and its implementation into national right, power tools that are no longer usable must be collected separately and disposed of in an environmentally correct manner.

Product Description and Specifications



Read all safety warnings and all instructions. Failure to follow the warnings and instructions may result in electric shock, fire and/or serious injury.

Intended Use

The power tool is intended as a stationary machine for making straight lengthways and crossways cuts in wood. In this, horizontal mitre angles from -52° to $+60^\circ$ as well as vertical bevel angles from 47° (leftward) to 47° (rightward) are possible. The capacity of the power tool is designed for sawing hardwood and softwood, as well as particle and fibre board.

When using appropriate saw blades, sawing aluminium profiles and plastic is also possible.

Product Features

The numbering of the components shown refers to the representation of the power tool on the graphic pages.

- 1 Dust bag
- 2 Extraction adapter
- 3 Laser warning label
- 4 Handle
- 5 Locking lever
- 6 Blade guard
- 7 Transport handle
- 8 Retracting blade guard
- 9 Fence extension
- 10 Fence
- 11 Saw-Table extension
- 12 Mounting holes
- 13 Insert plate
- 14 Mitre detent override
- 15 Locking knob for various mitre angles
- 16 Mitre detent lever
- 17 Bevel lock lever
- 18 Detents for standard mitre angles
- 19 Recessed handles
- 20 Allen key (6 mm/4 mm)
- 21 Allen key (2 mm)
- 22 Material clamp
- 23 Roller
- 24 Right bevel angle indicator (0° to 47°)
- 25 Chip deflector
- 26 Glide mechanism lock lever
- 27 Laser protection cap
- 28 Glide arm
- 29 Adjusting screw of depth stop
- 30 Depth stop
- 31 Transport safety-lock
- 32 Scale for bevel angle
- 33 Left bevel angle indicator (47° to 0°)
- 34 Adjustment knob for $22,5^\circ$ bevel angle
- 35 Lock screw of the material stop
- 36 Material stop
- 37 Scale for mitre angle (horizontal)
- 38 Saw table
- 39 Rotary knob for adjustment of the bevel angle range
- 40 Saw blade
- 41 Sawdust ejector
- 42 Locking screw of linkage **43**
- 43 Linkage of the retracting blade guard
- 44 Front fastening screw (cover plate/retracting blade guard)
- 45 Rear fastening screw (cover plate/retracting blade guard)
- 46 Cover plate
- 47 Spindle lock
- 48 Allen screw (size 6 mm) for mounting of saw blade
- 49 Clamping flange
- 50 Interior clamping flange
- 51 Clamping lever of the saw-table extension
- 52 Clamping lever of the fence extension
- 53 Cover plate tab
- 54 Glide movement controller
- 55 Set screws for damping
- 56 Mounting holes for material clamp
- 57 Wing bolt
- 58 Threaded rod
- 59 Mitre angle indicator
- 60 On/Off switch
- 61 Laser on/off switch (for marking of cutting line)
- 62 Screws for insert plate
- 63 Clamping screw of the material stop
- 64 Adjustment screw for laser position (flush levelling)
- 65 Screws for laser protection cap
- 66 Fastening screw for laser mounting plate
- 67 Fastening screw for laser housing
- 68–70 Set screws for 0° basic setting (bevel angle)
- 71 Set screw for 45° basic setting (leftward bevel angle)
- 72 Set screw for 45° basic setting (rightward bevel angle)
- 73 Set screws of scale **37** for mitre angles
- 74 Screw for mitre angle indicator
- 75 Set screw for clamping force of lock lever **17**
- 76 Velcro strap

Accessories shown or described are not part of the standard delivery scope of the product. A complete overview of accessories can be found in our accessories program.

36 | English

Technical Data

Sliding Mitre Saw		GCM 12 GDL Professional		
Article number		3 601 M23 600 3 601 M23 630 3 601 M23 670	3 601 M23 660	3 601 M23 690
Rated power input	W	2000	1500	1800
No-load speed	min ⁻¹	3800	3800	3800
Reduced starting current		●	●	●
Laser type	nm mW	635 < 1	635 < 1	635 < 1
Laser class		2	2	2
Weight according to EPTA-Procedure 01/2003	kg	32.1	32.1	32.1
Protection class		□/II	□/II	□/II

Permissible workpiece dimensions (maximal/minimal) see page 40.

The values given are valid for a nominal voltage [U] of 230 V. For different voltages and models for specific countries, these values can vary.

Please observe the article number on the type plate of your machine. The trade names of the individual machines may vary.

Dimension of suitable saw blades

Saw blade diameter	mm	305
Blade body thickness	mm	1.7 – 2.6
Mounting hole diameter	mm	30

Noise/Vibration Information

Measured sound values determined according to EN 61029.

Typically the A-weighted noise levels of the product are:

Sound pressure level 93 dB(A); Sound power level

106 dB(A). Uncertainty K = 3 dB.

Wear hearing protection!

Vibration total values (triax vector sum) determined according to EN 61029:

Vibration emission value $a_{hv} < 2.5 \text{ m/s}^2$, Uncertainty $K = 1.5 \text{ m/s}^2$.

The vibration emission level given in this information sheet has been measured in accordance with a standardised test given in EN 61029 and may be used to compare one tool with another. It may be used for a preliminary assessment of exposure.

The declared vibration emission level represents the main applications of the tool. However if the tool is used for different applications, with different accessories or poorly maintained, the vibration emission may differ. This may significantly increase the exposure level over the total working period.

An estimation of the level of exposure to vibration should also take into account the times when the tool is switched off or when it is running but not actually doing the job. This may significantly reduce the exposure level over the total working period.



Identify additional safety measures to protect the operator from the effects of vibration such as: maintain the tool and the accessories, keep the hands warm, organisation of work patterns.

Declaration of Conformity 

We declare under our sole responsibility that the product described under "Technical Data" is in conformity with the fol-

lowing standards or standardization documents: EN 61029, EN 60825-1 according to the provisions of the directives 2004/108/EC, 2006/42/EC.

Technical file at:

Robert Bosch GmbH, Dept. PT/ESC,
D-70745 Leinfelden-EchterdingenDr. Egbert Schneider
Senior Vice President
EngineeringDr. Eckerhard Strötgen
Head of Product
Certification



Robert Bosch GmbH, Power Tools Division
D-70745 Leinfelden-Echterdingen
Leinfelden, 24.03.2011

Assembly

► **Avoid unintentional starting of the machine. During assembly and for all work on the machine, the power plug must not be connected to the mains supply.**

Delivery Scope

Carefully remove all parts included in the delivery from their packaging.

Remove all packaging material from the machine and the accessories provided.

Before starting the operation of the machine for the first time, check if all parts listed below have been supplied:

- Sliding mitre saw with premounted saw blade
- Locking knob **15**
- Dust bag **1**
- Allen key **20**
- Allen key **21**
(below laser protection cap **27**)
- Material clamp **22**

Note: Check the power tool for possible damage. Before further use of the machine, check that all protective

devices are fully functional. Any lightly damaged parts must be carefully checked to ensure flawless operation of the tool. All parts must be properly mounted and all conditions fulfilled that ensure faultless operation.

Damaged protective devices and parts must be immediately replaced by an authorised service centre.

Additionally required tools (not in delivery scope):

- Phillips screwdriver
- Open-end spanner (size: 8 mm)
- Ring, open-end or socket spanner (size: 10 mm and 17 mm)

Mounting the Locking Knob (see figure a)

- Screw the locking knob **15** into the corresponding drill hole above the lever **16**.
- ▶ **Always tighten the locking knob 15 firmly before sawing.** Otherwise the saw blade can become wedged in the workpiece.

Stationary or Flexible Mounting

- ▶ **To ensure safe handling, the machine must be mounted on a level and stable surface (e. g., workbench) prior to using.**

Mounting to a Working Surface (see figure b1)

- Fasten the power tool with suitable screw fasteners to the working surface. The mounting holes **12** serve for this purpose.

Mounting to a Bosch Saw Stand (GTA 2500 W, GTA 3700, GTA 3800) (see figure b2)

With the height-adjustable legs, Bosch GTA saw stands provide firm support for the power tool on any surface. The workpiece supports of the saw stand are used for underlaying long workpieces.

- ▶ **Read all safety warnings and instructions included with the worktable.** Failure of observing safety warnings and instructions can lead to electrical shock, fire and/or cause serious injuries.
- ▶ **Assemble the worktable properly before mounting the power tool.** Perfect assembly is important in order to prevent the risk of collapsing.
- Mount the power tool in transport position on the saw stand.

Dust/Chip Extraction

Dusts from materials such as lead-containing coatings, some wood types, minerals and metal can be harmful to one's health. Touching or breathing-in the dusts can cause allergic reactions and/or lead to respiratory infections of the user or bystanders.

Certain dusts, such as oak or beech dust, are considered as carcinogenic, especially in connection with wood-treatment additives (chromate, wood preservative). Materials containing asbestos may only be worked by specialists.

- Always use dust extraction.
- Provide for good ventilation of the working place.
- It is recommended to wear a P2 filter-class respirator.

Observe the relevant regulations in your country for the materials to be worked.

The dust/chip extraction can be blocked by dust, chips or workpiece fragments.

- Switch the machine off and pull the mains plug from the socket outlet.
- Wait until the saw blade has come to a complete stop.
- Determine the cause of the blockage and correct it.
- ▶ **Prevent dust accumulation at the workplace.** Dusts can easily ignite.

Integrated Dust Extraction (see figure c)

For basic dust collection, use the dust bag **1** provided.

- ▶ **Check and clean the dust bag each time after using.**
- ▶ **When sawing aluminium, remove the dust bag to avoid the risk of fire.**

- Insert and turn dust bag **1** onto the extraction adapter **2** in such a manner that the pin of the extraction adapter engages in the recess of the dust bag.

During sawing, the dust bag and the extraction adapter may never come in contact with moving tool components.

Always empty the dust bag in good time.

External Dust Extraction

For dust extraction, you can also connect the extraction adapter **2** to a vacuum hose (Ø 35 mm).

- Insert the vacuum hose into the extraction adapter **2**.

The vacuum cleaner must be suitable for the material being worked.

When vacuuming dry dust that is especially detrimental to health or carcinogenic, use a special vacuum cleaner.

Cleaning the Extraction Adapter

To ensure optimum extraction, the extraction adapter **2** must be cleaned regularly.

- Pull off extraction adapter **2** from sawdust ejector **41** with a twisting motion.
- Remove workpiece fragments and chippings.
- Mount the extraction adapter onto the sawdust ejector again with a twisting motion until it engages over the holding ring of the sawdust ejector.

Changing the Saw Blade (see figures d1 - d4)

- ▶ **Before any work on the machine itself, pull the mains plug.**
- ▶ **When mounting the saw blade, wear protective gloves.** Danger of injury when touching the saw blade.

Use only saw blades whose maximum permitted speed is higher than the no-load speed of the power tool.

Use only saw blades that correspond with the characteristic data given in these operation instructions and that are tested and marked in accordance with EN 847-1.

Use only saw blades recommended by the tool manufacturer, and suitable for sawing the materials to be cut.

Removing the Saw Blade

- Bring the power tool into the working position.

38 | English

- Unscrew locking screw **42** by hand until the linkage **43** can hang freely.
- Loosen fastening screw **44** (approx. 2 turns) with the Allen key (4 mm) **20**.
Do not completely unscrew the screw.
- Loosen the fastening screw **45** (approx. 6 turns) with the Allen key (4 mm) **20**.
Do not completely unscrew the screw.
- Pull cover plate **46** off of fastening screw **45** toward the front and bottom.
- Press locking lever **5** and swing back the retracting blade guard **8**.
Hold the retracting blade guard in this position.
- Hang linkage **43** over fastening screw **45** via a bolt hole.
This holds the retracting blade guard in the open position.
- Turn Allen screw **48** with the Allen key (6 mm) **20** and at the same time press the spindle lock **47** until it engages.
- Hold the spindle lock **47** pressed and unscrew the Allen screw **48** in clockwise direction (left-hand thread!).
- Remove the clamping flange **49**.
- Remove the saw blade **40**.

Mounting the Saw Blade

If required, clean all parts to be mounted prior to assembly.

- Place the new saw blade onto the interior clamping flange **50**.
 - ▶ **When mounting the saw blade, pay attention that the cutting direction of the teeth (arrow direction on the saw blade) corresponds with the direction of the arrow on the blade guard!**
- Place on the clamping flange **49** and the screw **48**.
Press the spindle lock **47** until it engages and tighten the screw turning in anticlockwise direction.
- Release linkage **43** from fastening screw **45** and guide the retracting blade guard down again.
- Slide cover plate **46** under fastening screw **45** again.
- Retighten the fastening screws **45** and **44** again.
- Slide linkage **43** onto its original position and retighten locking screw **42** by hand again.

Operation

- ▶ **Before any work on the machine itself, pull the mains plug.**

Transport Safety (see figure A)

The transport safety-lock **31** enables easier handling of the machine when transporting to various working locations.

Releasing the Machine (Working Position)

- Slightly push down glide arm **28** by handle **4** to release transport safety-lock **31**.
- Pull the transport safety-lock **31** completely outward.
- Slowly guide the glide arm upward.

Securing the Machine (Transport Position)

- Slide glide arm **28** completely to the rear and secure it in this position (see “Securing the Glide Arm”, page 38).
- Guide the glide arm downward until transport safety-lock **31** can be pushed completely inward.

For additional information on transport, see page 44.

Locking the Glide Arm

The glide mechanism of glide arm **28** can be locked with lock lever **26**. Two glide arm positions are possible:

- Glide arm pushed completely to the rear (for chop-cuts)
- Glide arm pulled completely to the front (for a compact transport position)

Releasing the Glide Arm (see figure B1)

After releasing the glide arm **28**, the complete pulling mechanism is ready for operation.

- Push the lock lever **26** down to the stop.
The clamping wedge of the lock lever releases both bottom joint parts of the glide arm.

Securing the Glide Arm (see figure B2)

Glide arm pushed completely to the rear:

- Push glide arm **28** toward the rear to the stop.
The two upper joint parts of the glide arm are now in the upright position and shut.
- Pull lock lever **26** upward until of the clamping wedge is positioned between the two bottom joint parts of the glide arm.
This locks the completely pushed back glide arm **28**.

Glide arm pulled completely to the front:

- Pull glide arm **28** forward to the stop.
The glide mechanism is now completely extended.
- Pull lock lever **26** upward until of the clamping wedge is positioned between the two bottom joint parts of the glide arm.
This locks the completely forward pulled glide arm **28**.

Preparing for Operation**Extending the Saw Table (see figure C)**

Long workpieces must be underlaid or supported at their free end.

The saw table can be extended left or right with the saw-table extensions **11**.

- Push clamping lever **51** inward.
- Pull out saw-table extension **11** to the desired length (max. 250 mm).
- To lock the saw-table extension, push clamping lever **51** outward again.

Extending the Fence (see figure D)

For bevel angles, the fence extensions **9** must be moved.

- Pull clamping lever **52** toward the front.
- Pull the fence extension **9** completely outward.
- To lock the fence extension, push clamping lever **52** inward again.

Removing Fence Extensions (see figure E)

For extreme bevel angles, the fence extensions **9** must be removed completely.

- Pivot cover plate **53** outward.
- Pull clamping lever **52** toward the front.
- Pull the fence extension **9** completely outward.
- Remove the fence extension upward.

Adjusting the Glide Movement of the Glide Arm (see figure F)

The glide mechanism of glide arm **28** is factory-preset, and not set to glide movement upon delivery of the power tool.

The glide movement of the glide movement controller can be individually adjusted on the controller **54**:

Hard – for more controlled work motion;

Soft – for fast saw cuts.

- For **softer** damping, loosen both set screws **55** using the Allen key (4 mm) **20**
or
tighten both set screws **55** for **harder** damping.

Clamping the Workpiece (see figure G)

To ensure optimum working safety, the workpiece must always be firmly clamped.

Do not saw workpieces that are too small to clamp.

- Press the workpiece firmly against the fence **10**.
- Insert the material clamp **22** provided into one of the holes **56** intended for it.
- Loosen the wing bolt **57** and adapt the material clamp to the workpiece. Tighten the wing bolt again.
- Firmly clamp the workpiece by turning the threaded rod **58** in clockwise direction.

Adjusting Mitre Angles

To ensure precise cuts, the basic adjustment of the machine must be checked and adjusted as necessary after intensive use (see “Checking and Adjusting the Basic Adjustment”, page 43).

- ▶ **Always tighten the locking knob 15 firmly before sawing.** Otherwise the saw blade can become wedged in the workpiece.

Adjusting Standard Mitre Angles (see figure H)

For quick and precise adjustment of commonly used mitre angles, detents **18** have been provided for on the saw table:

Left	0°	Right
15°; 22.5°; 31.6°; 45°		15°; 22.5°; 31.6°; 45°; 60°

- Loosen the locking knob **15** in case it is tightened.
- Pull lever **16** and rotate the saw table **38** left or right to the requested detent.
- Release the lever again. The lever must be felt to engage in the detent.

Adjusting Any Mitre Angle (see figure I)

The mitre angle can be set in the range from 52° (left side) to 60° (right side).

- Loosen the locking knob **15** in case it is tightened.
- Pull lever **16** and at the same time, push mitre detent override **14** down at the front.
This locks lever **16** and the saw table can move freely.
- Turn the saw table **38** left or right by the locking knob until the angle indicator **59** indicates the requested mitre angle.
- Tighten the locking knob **15** again.

- To loosen the lever **16** again (for adjusting standard mitre angles), pull the lever upward.

The mitre detent override **14** snaps back to its original position and lever **16** can re-engage into the detents **18**.

Adjusting Bevel Angles

To ensure precise cuts, the basic adjustment of the machine must be checked and adjusted as necessary after intensive use (see “Checking and Adjusting the Basic Adjustment”, page 43).

The vertical bevel angle can be adjusted in a range from 47° (leftward) to 47° (rightward).

For quick and precise setting of frequently used bevel angles, stops have been provided for the angles 0°, 22.5°, 45° and 47°.

Adjusting the Lefthand Bevel Angle Range(45° to 0°)

- Pull the left fence extension **9** completely outward. (see “Extending the Fence”, page 38)
- Loosen the lock lever **17**.
- Tilt the glide arm via handle **4** leftward until the angle indicator **33** indicates the desired bevel angle.
- Hold the glide arm in this position and tighten lock lever **17** again.
The clamping force of the lock lever must securely hold the position of the glide arm at any bevel angle.

Adjusting the Righthand Bevel Angle Range(0° to 45°) (see figure J)

- Pull the right fence extension **9** completely outward. (see “Extending the Fence”, page 38)
- Loosen the lock lever **17**.
- Lightly tilt the glide arm leftward out of the 0° position via handle **4** and turn rotary knob **39** until the desired bevel angle range is indicated.
- Tilt the glide arm via handle **4** to the right until angle indicator **24** indicates the desired bevel angle.
- Hold the glide arm in this position and tighten lock lever **17** again.
The clamping force of the lock lever must securely hold the position of the glide arm at any bevel angle.

Standard 0° Bevel Angle

To enable simple and swift resetting of the standard 0° bevel angle, rotary knob **39** will engage in the bevel angle range

- Tilt the glide arm from right to left over the 0° position.

Adjusting the Complete Bevel Angle Range(-47° to +47°)

- Pull both fence extensions **9** completely outward. (see “Extending the Fence”, page 38)
- Loosen the lock lever **17**.
- Lightly tilt the glide arm leftward out of the 0° position via handle **4** and turn rotary knob **39** until the desired bevel angle range is indicated.
- Tilt the glide arm via handle **4** to the left or right until angle indicator **33** or **24** indicate the desired bevel angle.

40 | English

- Hold the glide arm in this position and tighten lock lever **17** again.
The clamping force of the lock lever must securely hold the position of the glide arm at any bevel angle.

Standard 22,5° (see figure K)

- Pull adjustment knob **34** completely outward and turn it by 90°. Now, tilt the glide arm via handle **4** until the glide arm can be heard to engage.

Starting Operation

- ▶ **Observe the mains voltage!** The voltage of the power source must correspond with the data on the type plate of the machine.

Switching On (see figure L)

- For **starting operation**, pull the On/Off switch **60** in the direction of the handle **4**.

Note: For safety reasons, the On/Off switch **60** cannot be locked; it must remain pressed during the entire operation.

The glide arm can only be guided downward by pressing locking lever **5**.

- For **sawing**, the locking lever **5** must be pushed in addition to pressing the On/Off switch.

Switching Off

- To **switch off** the machine, release the On/Off switch **60**.

Reduced starting current

The electronic reduced starting current limits the power consumption when switching the tool on and enables operation from a 13 ampere fuse.

Note: When the machine runs at full speed immediately after switching on, the reduced starting current has failed. The power tool should be sent immediately to an after-sales service (for addresses, see section “After-sales Service and Customer Assistance”, page 45).

Working Advice**General Sawing Instructions**

- ▶ **Always firmly tighten locking knob 15 and lock lever 17 before sawing.** Otherwise the saw blade could become jammed in the workpiece.

Permissible Workpiece Dimensions

Maximal workpiece sizes:

Mitre/Bevel Angle		Height x Width [mm]	
Horizontal	Vertical	Workpiece against fence	Workpiece against spacer (accessory)
0°	0°	104 x 335	110 x 240
45°	0°	104 x 240	110 x 110
0°	45° (leftward)	50 x 335	50 x 295
0°	45° (rightward)	40 x 335	40 x 295
45°	45° (leftward)	50 x 240	50 x 200
45°	45° (rightward)	40 x 240	40 x 200

- ▶ **For all cuts, it must first be ensured that the saw blade at no time can come in contact with the fence, screw clamps or other machine parts. Remove possibly mounted auxiliary stops or adjust them accordingly.**

Protect the saw blade against impact and shock. Do not subject the saw blade to lateral pressure.

Do not saw warped/bent workpieces. The workpiece must always have a straight edge to face against the fence.

Long workpieces must be underlaid or supported at their free end.

Marking the Cutting Line (see figure M)

Two laser beams indicate the cutting width of the saw blade. This allows for exact positioning of the workpiece for sawing, without having to open the retracting blade guard.

- Switch on the laser beams with switch **61**.
- Align your mark on the workpiece between both laser lines.

Note: Before sawing, check if the cutting width is still indicated correctly (see “Adjusting the Laser”, page 43). The laser beams, as an example, can misadjust through vibrations from intensive use.

Position of the Operator (see figure N)

- ▶ **Do not stand in a line with the saw blade in front of the machine. Always stand aside of the saw blade.** This protects your body against possible kickback.

- Keep hands, fingers and arms away from the rotating saw blade.
- Do not stand in front of the glide arm with your arms crossed.

Replacing Insert Plates (see figure O)

The red insert plates **13** can become worn after long use of the machine.

Replace defective insert plates.

- Bring the power tool into the working position.
- Unscrew screws **62** with the provided Allen key (4 mm) **20** and remove the old insert plates.
- Insert the new right-hand insert plate.
- Screw the insert plate as far as possible to the right with the screws **62** so that the saw blade does not come into contact with the insert plate over the complete length of the possible slide motion.
- Repeat the work steps in the same manner for the left-hand insert plate.

Minimal workpiece sizes

(= all workpieces that can be clamped left or right from the saw blade with the supplied material clamp **22**):
160 x 335 mm (length x width)

Cutting capacity, max. (0°/0°): 104 mm

Sawing**Sawing without Slide Movement (Cutting Off) (see figure P)**

- Slide glide arm **28** completely to the rear and secure it in this position (see "Securing the Glide Arm", page 38). Make sure that the depth stop **30** is pushed completely inward and that adjusting screw **29** fits through the recess without touching the depth stop when moving the glide arm.
- Firmly clamp the workpiece as appropriate for its dimensions.
- Adjust the desired mitre and/or bevel angle.
- Switch on the machine.
- Press locking lever **5** and slowly guide the glide arm downward with handle **4**.
- Saw through the workpiece applying uniform feed.
- Switch off the machine and wait until the saw blade has come to a complete stop.
- Slowly guide the glide arm upward.

Sawing with Slide Movement (see figure Q)

- ▶ **Before switching on and during the complete sawing, hold the handle firmly. While sawing, carry out a controlled motion with the glide arm.** A moment of inattention while operating the extremely smooth-running glide arm can result in serious personal injury.
- Release glide arm **28** (see "Releasing the Glide Arm", page 38). Check if the complete glide mechanism is operative by sliding the glide arm **28** back and forth.
- Firmly clamp the workpiece as appropriate for its dimensions.
- Adjust the desired mitre and/or bevel angle.
- Pull the glide arm away from the fence **10** until the saw blade is in front of the workpiece.
- Switch on the machine.
- Press locking lever **5** and slowly guide the glide arm downward with handle **4**.
- Now, push the glide arm toward the fence **10** and saw through the workpiece with uniform feed.
- Switch off the machine and wait until the saw blade has come to a complete stop.
- Slowly guide the glide arm upward.

Sawing Workpieces of the Same Length (see figure R)

The material stop **36** can be used for easily sawing workpieces to the same length.

The material stop can be mounted on either side of the saw table extension **11**.

- Loosen lock screw **35** and swing the material stop **36** over clamping screw **63**.
- Retighten lock screw **35**.
- Adjust the saw table extension **11** to the desired length (see "Extending the Saw Table", page 38).

Adjusting the Depth Stop (Sawing Grooves) (see figure S)

The depth stop must be adjusted when sawing a groove or using a spacer (e.g.: Bosch MSF 110).

- Swivel the depth stop **30** outward.
- Press locking lever **5** and tilt the glide arm to the desired position.
- Turn adjusting screw **29**, until the screw end touches depth stop **30**.
- Slowly guide the glide arm upward.

Special Workpieces

When sawing curved or round workpieces, these must be especially secured against slipping. At the cutting line, no gap may exist between workpiece, fence and saw table.

Provide for special fixtures, if required.

Sawing Profile Strips/Mouldings (Floor and Ceiling Strips)

Profile strips/mouldings can be sawn in two different ways:

- Placed against the fence
- Lying flat on the saw table.

In addition, the cut can be performed with or without slide movement depending on the width of the profile strip/moulding.

Always make trial cuts with the mitre angle setting first on scrap wood.

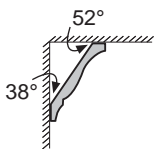
42 | English

Floor Strips/Mouldings

The following table contains instructions for sawing floor strips/mouldings.

Settings		Placed against the fence		Lying flat on the saw table	
Floor strip/moulding		Left side	Right side	Left side	Right side
	Horizontal mitre angle	45° left	45° right	0°	0°
	Bevel angle	0°	0°	45° left	45° right
	Positioning of work-piece	Bottom edge on saw table	Bottom edge on saw table	Upper edge against the fence	Upper edge against the fence
	The finished work-piece is located...	... to the left of the cut	... to the right of the cut	... to the left of the cut	... to the right of the cut
	Horizontal mitre angle	45° right	45° left	0°	0°
	Bevel angle	0°	0°	45° right	45° left
	Positioning of work-piece	Bottom edge on saw table	Bottom edge on saw table	Upper edge against the fence	Upper edge against the fence
	The finished work-piece is located...	... to the right of the cut	... to the left of the cut	... to the left of the cut	... to the right of the cut

Ceiling Strips/Mouldings (According to US Standard)



To cut ceiling strips/mouldings facing flat on the saw table, the mitre angle must be set to 31.6° (saw table must be turned left or right) and the bevel angle must be set to 33.9° (glide arm tilted left or right). The following table includes information on sawing ceiling strips/mouldings.

Settings		Placed against the fence		Lying flat on the saw table	
Ceiling strip/moulding		Left side	Right side	Left side	Right side
	Horizontal mitre angle	45° right	45° left	31.6° right	31.6° left
	Bevel angle	0°	0°	33,9° left	33,9° right
	Positioning of work-piece	Bottom edge against the fence	Bottom edge against the fence	Upper edge against the fence	Upper edge against the fence
	The finished work-piece is located...	... to the right of the cut	... to the left of the cut	... to the left of the cut	... to the right of the cut
	Horizontal mitre angle	45° left	45° right	31.6° left	31.6° right
	Bevel angle	0°	0°	33,9° right	33,9° left
	Positioning of work-piece	Bottom edge against the fence	Bottom edge against the fence	Upper edge against the fence	Upper edge against the fence
	The finished work-piece is located...	... to the right of the cut	... to the left of the cut	... to the left of the cut	... to the right of the cut

Checking and Adjusting the Basic Adjustment

To ensure precise cuts, the basic adjustment of the machine must be checked and adjusted as necessary after intensive use.

A certain level of experience and appropriate specialty tools are required for this.

A Bosch after-sales service station will handle this maintenance task quickly and reliably.

Adjusting the Laser

Note: To test the laser function, the machine must be connected to power.

- ▶ **While adjusting the laser (e.g. when moving the glide arm), never actuate the On/Off switch.** Accidental starting of the power tool can lead to injuries.
- Bring the power tool into the working position.
- Turn the saw table **38** to the 0° detent **18**. The lever **16** must be felt to engage in the detent.
- Switch on the laser beams with switch **61**.

Checking: (see figure T1)

- Draw a straight cutting line on the workpiece.
- Press locking lever **5** and slowly guide the glide arm downward with handle **4**.
- Align the workpiece in such a manner that the teeth of the saw blade are in alignment with the cutting line.
- Hold the workpiece in this position and slowly guide the glide arm upward.
- Clamp the workpiece.
- Switch on the laser beams with switch **61**.

Throughout the complete length, the laser beams must have the same clearance to the drawn cutting line on the workpiece, even when lowering the glide arm.

Adjusting the Flush Levelling: (see figure T2)

- Using the Allen key (2 mm) **21**, turn the respective adjustment screw **64** until the laser beam has the same clearance to the drawn cutting line on the workpiece over the complete length.

One rotation in anticlockwise direction moves the laser beam from left to right; one rotation in clockwise direction moves the laser beam from right to left.

Adjusting the Parallelism: (see figure T3)

- Loosen the two screws **65** of laser protection cap **27** with the Allen key (4 mm) **20**.

Note: To access the front screw of the laser protection cap, the glide arm must be tilted down a little until the Allen key can be inserted through one of the slots of the retracting blade guard.

- Loosen fastening screw **66** (approx. 1 – 2 turns) with the Allen key (2 mm) **21**.
- Do not completely unscrew the screw.
- Move the mounting plate of the laser right or left until the laser beams are parallel to the drawn cutting line on the workpiece over the complete length.
- Hold the mounting plate in this position and tighten fastening screw **66** again.
- After adjusting, check the flush alignment with the cutting line once more. If required, align the laser beams with the set screws **64** one more time.

- Reattach the laser protection cap **27** again.

Adjusting the Lateral Deviation when Moving the Glide Arm: (see figure T4)

- Loosen the two screws **65** of laser protection cap **27** with the Allen key (4 mm) **20**.

Note: To access the front screw of the laser protection cap, the glide arm must be tilted down a little until the Allen key can be inserted through one of the slots of the retracting blade guard.

- Loosen both fastening screws **67** (approx. 1 – 2 turns) with the Allen key (2 mm) **21**.
- Do not completely unscrew the screws.
- Move the laser housing right or left until the laser beams no longer deviate in lateral direction when moving the glide arm down.
- After adjusting, check the flush alignment with the cutting line once more. If required, align the laser beams with the set screws **64** one more time.
- Hold the laser housing in this position and tighten fastening screws **67** again.
- Reattach the laser protection cap **27** again.

Setting the Standard Bevel Angle 0° (Vertical)

- Bring the machine into the transport position.
- Turn the saw table **38** to the 0° detent **18**. The lever **16** must be felt to engage in the detent.

Checking: (see figure U1)

- Set an angle gauge to 90° and place it on the saw table **38**. The leg of the angle gauge must be flush with the saw blade **40** over the complete length.

Adjusting: (see figure U2)

- Loosen the lock lever **17**.
- Loosen both set screws **68** (by at least 1 turn) using a socket spanner (size 10 mm).
- Loosen set screw **70** (approx. 3 turns) with the Allen key (4 mm) **20**.
- Screw set screw **69** with the Allen key (4 mm) **20** in or out until the leg of the angle gauge is flush with the saw blade over the complete length.
- Retighten the lock lever **17** again.
- Afterwards, tighten set screw **70** first, and then set screws **68**.

When the angle indicators **33** and **24** are not in line with the 0° marks of scale **32** after adjusting, loosen the fastening screws of the angle indicators with a Phillips screwdriver and align the angle indicators alongside the 0° marks.

Setting the Standard 45° Bevel Angle (Leftward)

- Bring the power tool into the working position.
- Turn the saw table **38** to the 0° detent **18**. The lever **16** must be felt to engage in the detent.
- Pull the left fence extension **9** completely outward.
- Loosen lock lever **17** and tilt the glide arm by handle **4** leftward to the stop (45°).

44 | English

Checking: (see figure V1)

- Set an angle gauge to 45° and place it on the saw table **38**. The leg of the angle gauge must be flush with the saw blade **40** over the complete length.

Adjusting: (see figure V2)

- Screw set screw **71** in or out with the an open-end spanner (8 mm) until the leg of the angle gauge is flush with the saw blade over the complete length.
- Retighten the lock lever **17** again.

When the angle indicators **33** and **24** are not in line with the 45° marks of scale **32** after adjusting, firstly once more check the 0° setting for the bevel angle and the angle indicators. Then repeat the adjustment of the 45° bevel angle.

Setting the Standard 45° Bevel Angle (Rightward)

- Bring the power tool into the working position.
- Turn the saw table **38** to the 0° detent **18**. The lever **16** must be felt to engage in the detent.
- Pull the right fence extension **9** completely outward.
- Loosen the lock lever **17**.
- Lightly tilt the glide arm leftward out of the 0° position via handle **4** and turn rotary knob **39** until the righthand bevel angle range is indicated.
- Tilt the glide arm via handle **4** rightward to the stop (45°).

45° R

Checking: (see figure W1)

- Set an angle gauge to 135° and place it on the saw table **38**.

The leg of the angle gauge must be flush with the saw blade **40** over the complete length.

Adjusting: (see figure W2)

- Screw set screw **72** in or out with the an open-end spanner (8 mm) until the leg of the angle gauge is flush with the saw blade over the complete length.
- Retighten the lock lever **17** again.

When the angle indicators **33** and **24** are not in line with the 45° marks of scale **32** after adjusting, firstly once more check the 0° setting for the bevel angle and the angle indicators. Then repeat the adjustment of the 45° bevel angle.

Aligning the Scale for Mitre Angles

- Bring the power tool into the working position.
- Turn the saw table **38** to the 0° detent **18**. The lever **16** must be felt to engage in the detent.

Checking: (see figure X1)

- Adjust an angle gauge to 90° and position it between the fence **10** and the saw blade **40** on the saw table **38**.

The leg of the angle gauge must be flush with the saw blade **40** over the complete length.

Adjusting: (see figure X2)

- Loosen all four set screws **73** with the Allen key (4 mm) **20** and turn the saw table **38** together with the scale **37** until the leg of the angle gauge is flush with the saw blade over the complete length.
- Retighten the screws again.

When the angle indicator **59** is not in line with the 0° mark of scale **37** after adjusting, loosen screw **74** with a Phillips screwdriver and align the angle indicator alongside the 0° mark.

Adjusting the Clamping Force of Lock Lever 17 (see figure Y)

The clamping force of lock lever **17** can be readjusted.

Checking:

- The clamping force of the lock lever must securely hold the position of the glide arm at any bevel angle.

Adjusting:

- Loosen the lock lever **17**.
- Turn set screw **75** in anticlockwise direction with a socket spanner (size 17 mm) to reduce the clamping force, or increase the clamping force by turning in clockwise direction.
- Adjust a vertical bevel angle, retighten lock lever **17** and check if the desired clamping force has been reached.

Transport (see figure Z)

Before transporting the power tool, the following steps must be carried out:

- Slide glide arm **28** completely to the rear and secure it in this position (see "Securing the Glide Arm", page 38).
- Make sure that the depth stop **30** is pushed completely inward and that adjusting screw **29** fits through the recess without touching the depth stop when moving the glide arm.
- Guide the glide arm downward until transport safety-lock **31** can be pushed completely inward.
- Slide the table extensions **11** completely inward.
- Set the vertical bevel angle to 0° and tighten the lock lever **17**.
- Turn saw table **38** leftward to the stop and tighten locking knob **15**.
- Wind up the mains cable and tie it together with Velcro strap **76**.
- Remove all accessories that cannot be mounted firmly to the power tool.
If possible, place unused saw blades in an enclosed container for transport.
- Carry the machine by the transport handle **7** or hold it by the recessed handles **19** on the sides of the saw table.

► **When transporting the power tool, only use the transport fixtures. Never carry the power tool by the protective devices, the glide arm 28 or the handle 4.**

► **The power tool should always be carried by two persons in order to avoid back injuries.**

Maintenance and Service**Maintenance and Cleaning**

► **Before any work on the machine itself, pull the mains plug.**

If the machine should fail despite the care taken in manufacturing and testing procedures, repair should be carried out by an after-sales service centre for Bosch power tools.

In all correspondence and spare parts order, please always include the 10-digit article number given on the type plate of the machine.

Cleaning

For safe and proper working, always keep the power tool and its ventilation slots clean.

The retracting blade guard must always be able to move freely and retract automatically. Therefore, always keep the area around the retracting blade guard clean.

- Remove dust and chips after each working procedure by blowing out with compressed air or with a brush.
- Clean the roller **23** and the glide arm **28** regularly.

Accessories

Quick-action clamp.....	1 609 B02 125
Insert plates	1 609 B02 375
Dust bag	1 609 B02 595
Spacer MSF 110	2 610 015 461
Extraction adapter	2 607 001 977
Saw stand GTA 2500 W.....	0 601 B12 100
Saw stand GTA 3800	0 601 B24 000
Wood vacuum cleaner GAS 50 M	0 601 988 103

Worklight MSLED 170

EU	3 601 M25 000
CH	3 601 M25 030
UK	3 601 M25 070

Saw blades for wood and plate materials, panels and strips/mouldings

Saw blade 305 x 30 mm, 60 teeth	2 608 641 768
--	---------------

Saw blades for plastic and non-ferrous metals

Saw blade 305 x 30 mm, 96 teeth	2 608 642 099
Saw blade 305 x 30 mm, 96 teeth	2 608 640 453

Saw blades for all types of laminate flooring

Saw blade 305 x 30 mm, 96 teeth	2 608 642 137
--	---------------

After-sales Service and Customer Assistance

Our after-sales service responds to your questions concerning maintenance and repair of your product as well as spare parts. Exploded views and information on spare parts can also be found under:

www.bosch-pt.com

Our customer service representatives can answer your questions concerning possible applications and adjustment of products and accessories.

Great Britain

Robert Bosch Ltd. (B.S.C.)
P.O. Box 98
Broadwater Park
North Orbital Road
Denham
Uxbridge
UB 9 5HJ
Tel. Service: +44 (0844) 736 0109
Fax: +44 (0844) 736 0146
E-Mail: boschservicecentre@bosch.com

Ireland

Origo Ltd.
Unit 23 Magna Drive
Magna Business Park
City West
Dublin 24
Tel. Service: +353 (01) 4 66 67 00
Fax: +353 (01) 4 66 68 88

Australia, New Zealand and Pacific Islands

Robert Bosch Australia Pty. Ltd.
Power Tools
Locked Bag 66
Clayton South VIC 3169
Customer Contact Center
Inside Australia:
Phone: +61 (01300) 307 044
Fax: +61 (01300) 307 045
Inside New Zealand:
Phone: +64 (0800) 543 353
Fax: +64 (0800) 428 570
Outside AU and NZ:
Phone: +61 (03) 9541 5555
www.bosch.com.au

Republic of South Africa

Customer service
Hotline: +27 (011) 6 51 96 00

Gauteng – BSC Service Centre

35 Roper Street, New Centre
Johannesburg
Tel.: +27 (011) 4 93 93 75
Fax: +27 (011) 4 93 01 26
E-Mail: bsctools@icon.co.za

KZN – BSC Service Centre

Unit E, Almar Centre
143 Crompton Street
Pinetown
Tel.: +27 (031) 7 01 21 20
Fax: +27 (031) 7 01 24 46
E-Mail: bsc.dur@za.bosch.com

Western Cape – BSC Service Centre

Democracy Way, Prosperity Park
Milnerton
Tel.: +27 (021) 5 51 25 77
Fax: +27 (021) 5 51 32 23
E-Mail: bsc@zsd.co.za