

Europe, Middle East

ENGLISH
FRANÇAIS
DEUTSCH
NEDERLANDS
ITALIANO
ESPAÑOL
PORTUGUÊS
РУССКИЙ
ΕΛΛΗΝΙΚΑ
TÜRKÇE
POLSKI

العربية

North America/

Norteamérica

ENGLISH
FRANÇAIS
ESPAÑOL

Latin America/

América Latina

ENGLISH
ESPAÑOL
PORTUGUÊS

Asia Pacific

日本語
简体中文
繁體中文
한국어

THRUSTMASTER®

TPR

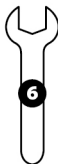
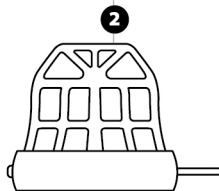
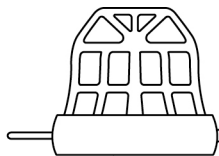
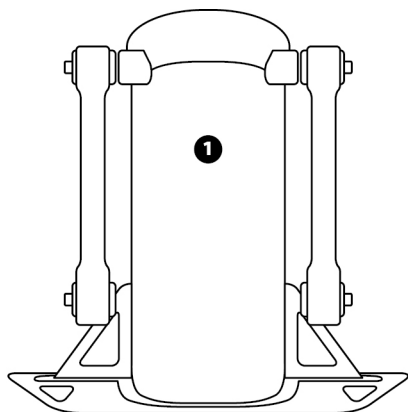
**THRUSTMASTER
PENDULAR RUDDER**

TPR

THRUSTMASTER PENDULAR RUDDER

PC

User Manual



TECHNICAL FEATURES

- 1 Rudder body
- 2 Pedal (x2)
- 3 Nut (x2)
- 4 Washer (x2)
- 5 USB cable

- 6 14 mm flat wrench
- 7 8 mm flat wrench
- 8 2.5 mm Allen key
- 9 3 mm Allen key

WARNING

Before using this product, please read this manual carefully and save it for later reference.



Warnings

- * Keep the product in a dry location and do not expose it to dust or sunlight.
- * Respect the connection directions.
- * Do not twist or pull on the connectors and cables.
- * Do not spill any liquid on the product or its connector.
- * Do not short-circuit the product.
- * Never dismantle the product (apart from any adjustments which may be mentioned in this manual); do not throw it onto a fire and do not expose it to high temperatures.
- * Do not open up the device: there are no user-serviceable parts inside. Any repairs must be carried out by the manufacturer, its authorized representative or a qualified technician.
- * Keep the device out of the reach of children.
- * In an environment prone to electrostatic discharges, the product may function abnormally, power itself off and/or enter into error mode, requiring the product to be reset.



For safety reasons, never use the rudder with bare feet or while wearing only socks on your feet.

THRUSTMASTER® DISCLAIMS ALL RESPONSIBILITY IN THE EVENT OF INJURY RESULTING FROM USE OF THE RUDDER WITHOUT SHOES.



Product to be handled only by users
16 years of age or older

HEAVY PRODUCT



Be careful not to drop the product on
yourself or on anyone else!

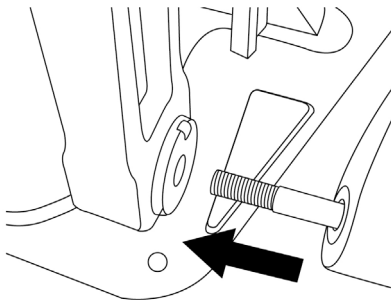
ATTACHING THE TPR RUDDER

You can use the four perforations located in the corners of the rudder's metal plate to attach the unit to a stationary stand or support.

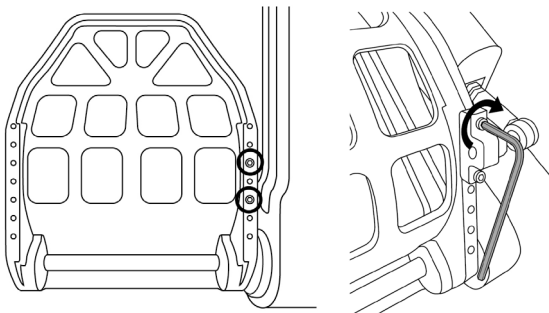
The installation template for the TPR Rudder for use in cockpits is available at <https://support.thrustmaster.com>. Click **Joysticks / TPR Rudder**, then select **Template – Cockpit Setup**.

ASSEMBLING THE PRODUCT

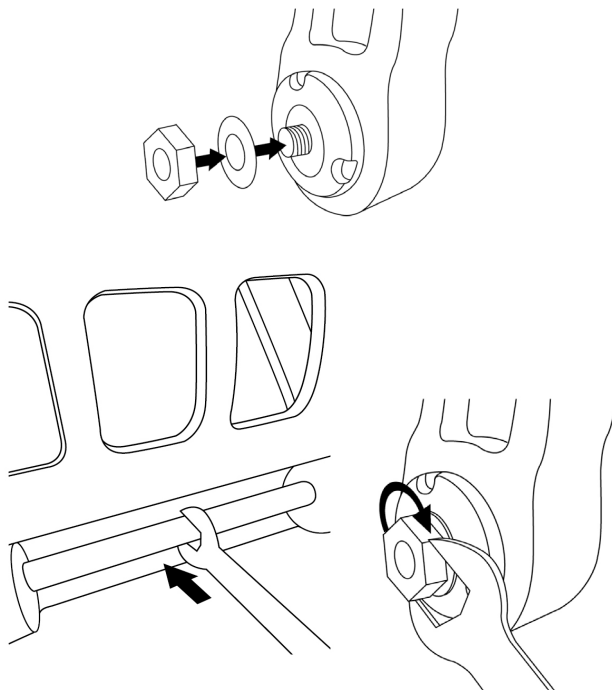
1. Insert the pedal (2) into the arm on the body (1).



2. Unscrew the two screws on the back of the pedal using the 2.5 mm Allen key (8), and then screw them back in again, attaching the sensor's arm.



3. Insert a washer (4) and a nut (3) on top, and then tighten the assembly using the 14 mm flat wrench (6) and the 8 mm flat wrench (7).

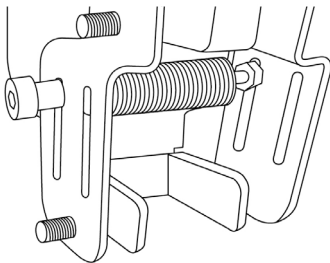


4. Repeat steps 1 through 3 for the second pedal.

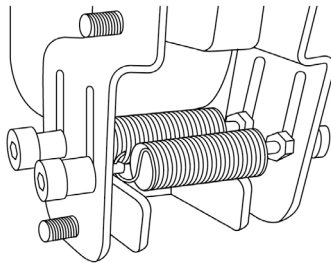
ADJUSTING THE TENSION OF THE RUDDER'S AXIS

Adjust the number and position of the springs at the back of the product.

- Minimum resistance: 1 spring in the high position
- Maximum resistance: 2 springs in the low position



Minimum resistance

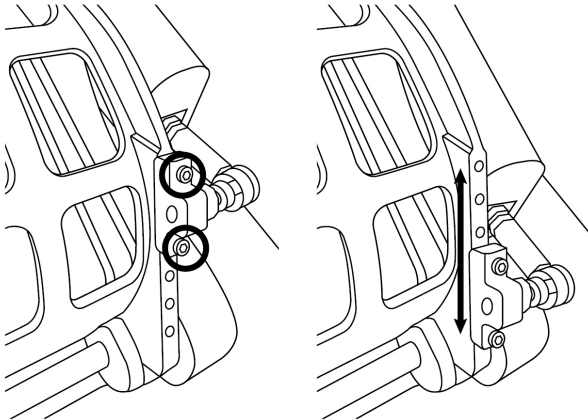


Maximum resistance

Depending on the selected position, the tension will be between 2.5 kg and 5 kg.

ADJUSTING THE INCLINATION OF THE TWO PEDALS

Adjustment point number 1:

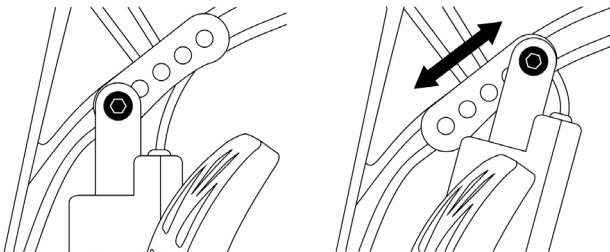


- Using the included 2.5 mm Allen key (8), unscrew the two screws attached to the pedal's metal head (2).
- Reposition the support into its new position, and screw everything back together.

Number of possible positions for this adjustment point: 5

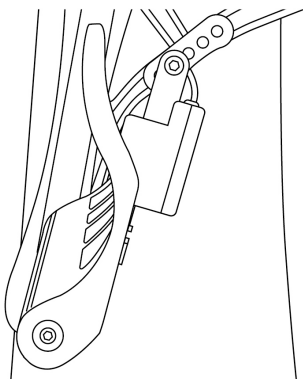
Adjustment point number 2:

- Using the included 3 mm Allen key (9), unscrew the screw attaching the sensor to the body (1).
- Reposition the support into its new position, and screw everything back together.

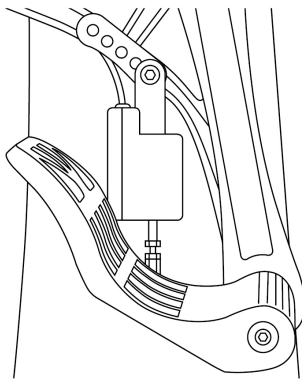


Number of possible positions for this adjustment point: 5

Examples:



Least inclined position



Most inclined position

Depending on the positions selected in adjustments 1 and 2:

- The pedal's angle will vary between 35° and 75°.
- The pedal's range of travel will vary.

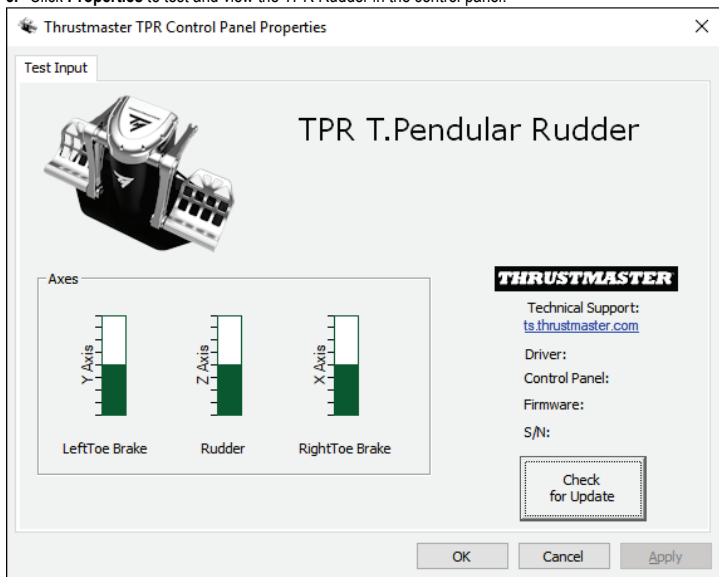
Please note: in order to ensure that the product functions properly, all three screws described for adjustment points 1 and 2 must be attached to each pedal.

INSTALLATION ON PC

1. Visit <https://support.thrustmaster.com> to download the drivers for PC. Click **Joysticks / TPR Rudder**, then select **Drivers**.
2. Once the download is complete, launch the installation, and follow the on-screen instructions to connect the TPR Rudder's USB connector to your PC and complete the installation.
3. Once the installation is complete, click **Finish** and restart your computer.
4. Select **Start / All Programs / Thrustmaster / Thrustmaster Hotas Warthog – TPR Rudder / Control Panel** to open the **Game Controllers** window.

The **Game Controllers** window displays the name **TPR T.Pendular Rudder** with the status **OK**.

5. Click **Properties** to test and view the TPR Rudder in the control panel:



Please note: the TPR Rudder's installation driver is now unified with the driver for the Thrustmaster Hotas Warthog joystick (the installation package for both accessories is therefore identical).

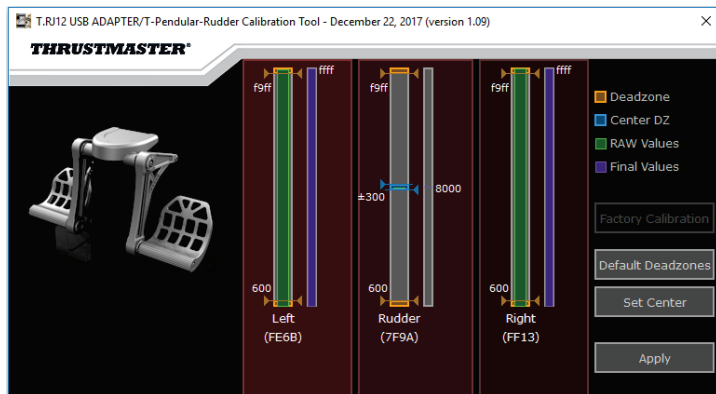
GENERAL NOTES ON PC

- Be sure to always completely close the **Game Controllers** window by clicking **OK** before starting your game.
- The TPR Rudder's firmware version appears in the lower right-hand part of the control panel's tabs.
- On PC, the TPR Rudder is compatible:
 - in all games supporting multi-USB and rudders;
 - with all joysticks on the market.

ADVANCED CALIBRATION SOFTWARE

Please visit <https://support.thrustmaster.com>. Click **Joysticks / TPR Rudder**, then select **Utilities**. Download and install the advanced calibration software, to:

- adjust the dead zones at the beginning and end of the range of travel on the rudder's axis, and on the 2 axes of the differential brakes, to your liking;
- adjust the central dead zone of the rudder's axis to your liking.



Once the adjustments have been made, they will immediately be saved in the TPR Rudder's internal memory.

T.A.R.G.E.T. ADVANCED PROGRAMMING SOFTWARE (Thrustmaster Advanced pRogramming Graphical EdiTor)

Please visit <https://support.thrustmaster.com>. Click **Joysticks / TPR Rudder**, then select **Software**. Download and install the T.A.R.G.E.T. advanced programming software.

Main features of T.A.R.G.E.T.:

- Different possible configurations for the axes of the rudder and of the differential brakes.
- Different possible programming levels: Basic, Advanced and Script.
- Use of the Drag and Drop principle.
- Ability to combine the TPR Rudder with various Thrustmaster joysticks (Hotas Cougar, Hotas Warthog, T.16000M, TWCS Throttle, MFD Cougar Pack, all of which are also compatible with T.A.R.G.E.T.), allowing them to be recognized as a single USB device.
- Access to advanced profiles created by the Thrustmaster community.



UPDATING THE TPR RUDDER'S FIRMWARE

The firmware included in the TPR Rudder can be updated (that is to say, it can be updated with more recent versions including product improvements).

To display your TPR Rudder's firmware version and update it if necessary: on PC, please visit <https://support.thrustmaster.com>, click **Joysticks / TPR Rudder**, then select **Firmware** and follow the instructions, along with the download and installation procedure.

TROUBLESHOOTING AND WARNING

- **My rudder isn't working properly, or seems to be improperly calibrated.**
 - Power off your PC, and disconnect the rudder's USB connector. Then reconnect the USB connector, power on your PC again, and restart your game.
- **I can't configure my rudder.**
 - In your game's Options / Controller / Gamepad or Joystick menu, select the appropriate configuration or completely reconfigure the controller's options.
 - For more information, please refer to your game's user manual or online help.
 - Use the T.A.R.G.E.T. (Thrustmaster Advanced pRogramming Graphical EdiTor) advanced programming software.
- **My rudder is too sensitive, or not sensitive enough.**
 - In your game's Options / Controller / Gamepad or Joystick menu, adjust the sensitivity and dead zones for your controller (if these options are available).
 - Use the advanced calibration software.
 - Use the T.A.R.G.E.T. (Thrustmaster Advanced pRogramming Graphical EdiTor) advanced programming software.

HELP FILES AND TIPS (not included in this manual)

Various help files and tips are available on the <https://support.thrustmaster.com> website. Click **Joysticks / TPR Rudder**.

CONSUMER WARRANTY INFORMATION

Worldwide, Guillemot Corporation S.A., whose registered office is located at Place du Granier, B.P. 97143, 35571 Chantepie, France (hereinafter "Guillemot") warrants to the consumer that this Thrustmaster product shall be free from defects in materials and workmanship, for a warranty period which corresponds to the time limit to bring an action for conformity with respect to this product. In the countries of the European Union, this corresponds to a period of two (2) years from delivery of the Thrustmaster product. In other countries, the warranty period corresponds to the time limit to bring an action for conformity with respect to the Thrustmaster product according to applicable laws of the country in which the consumer was domiciled on the date of purchase of the Thrustmaster product (if no such action exists in the corresponding country, then the warranty period shall be one (1) year from the original date of purchase of the Thrustmaster product).

Notwithstanding the above, rechargeable batteries are covered by a warranty period of six (6) months from the date of original purchase.

Should the product appear to be defective during the warranty period, immediately contact Technical Support, who will indicate the procedure to follow. If the defect is confirmed, the product must be returned to its place of purchase (or any other location indicated by Technical Support).

Within the context of this warranty, the consumer's defective product shall, at Technical Support's option, be either replaced or returned to working order. If, during the warranty period, the Thrustmaster product is subject to such reconditioning, any period of at least seven (7) days during which the product is out of use shall be added to the remaining warranty period (this period runs from the date of the consumer's request for intervention or from the date on which the product in question is made available for reconditioning, if the date on which the product is made available for reconditioning is subsequent to the date of the request for intervention). If permitted under applicable law, the full liability of Guillemot and its subsidiaries (including for consequential damages) is limited to the return to working order or the replacement of the Thrustmaster product. If permitted under applicable law, Guillemot disclaims all warranties of merchantability or fitness for a particular purpose.

This warranty shall not apply: (1) if the product has been modified, opened, altered, or has suffered damage as a result of inappropriate or abusive use, negligence, an accident, normal wear, or any other cause unrelated to a material or manufacturing defect (including, but not limited to, combining the Thrustmaster product with any unsuitable element, including in particular power supplies, rechargeable batteries, chargers, or any other elements not supplied by Guillemot for this product); (2) if the product has been used for any use other than home use, including for professional or commercial purposes (game rooms, training, competitions, for example); (3) in the event of failure to comply with the instructions provided by Technical Support; (4) to software, said software being subject to a specific warranty; (5) to consumables (elements to be replaced over the product's lifespan: disposable batteries, audio headset or headphone ear pads, for example); (6) to accessories (cables, cases, pouches, bags, wrist-straps, for example); (7) if the product was sold at public auction.

This warranty is nontransferable.

The consumer's legal rights with respect to laws applicable to the sale of consumer goods in his or her country are not affected by this warranty.

Additional warranty provisions

During the warranty period, Guillemot shall not provide, in principle, any spare parts, as Technical Support is the only party authorized to open and/or recondition any Thrustmaster product (with the exception of any reconditioning procedures which Technical Support may request that the consumer carry out, by way of written instructions – for example, due to the simplicity and the lack of confidentiality of the reconditioning process – and by providing the consumer with the required spare part(s), where applicable).

Given its innovation cycles and in order to protect its know-how and trade secrets, Guillemot shall not provide, in principle, any reconditioning notification or spare parts for any Thrustmaster product whose warranty period has expired.

In the United States of America and in Canada, this warranty is limited to the product's internal mechanism and external housing. In no event shall Guillemot or its affiliates be held liable to any third party for any consequential or incidental damages resulting from the breach of any express or implied warranties. Some States/Provinces do not allow limitation on how long an implied warranty lasts or exclusion or limitation of liability for consequential or incidental damages, so the above limitations or exclusions may not apply to you. This warranty gives you specific legal rights, and you may also have other rights which vary from State to State or Province to Province.

Liability

If permitted under applicable law, Guillemot Corporation S.A. (hereinafter "Guillemot") and its subsidiaries disclaim all liability for any damages caused by one or more of the following: (1) the product has been modified, opened or altered; (2) failure to comply with assembly instructions; (3) inappropriate or abusive use, negligence, an accident (an impact, for example); (4) normal wear; (5) the use of the product for any use other than home use, including for professional or commercial purposes (game rooms, training, competitions, for example). If permitted under applicable law, Guillemot and its subsidiaries disclaim all liability for any damages unrelated to a material or manufacturing defect with respect to the product (including, but not limited to, any damages caused directly or indirectly by any software, or by combining the Thrustmaster product with any unsuitable element, including in particular power supplies, rechargeable batteries, chargers, or any other elements not supplied by Guillemot for this product).

THRUSTMASTER®

TECHNICAL SUPPORT

<http://support.thrustmaster.com>



DECLARATION OF CONFORMITY

CANADIAN COMPLIANCE NOTICE: this Class B digital apparatus meets all requirements of the Canadian Interference-Causing Equipment Regulations.

USA COMPLIANCE NOTICE: this equipment has been tested and found to comply with the limits for a Class B digital device, pursuant to Part 15 of the FCC rules. Operation is subject to the following two conditions:

- (1) This device may not cause harmful interference, and
- (2) This device must accept any interference received, including interference that may cause undesired operation.

These limits are designed to provide reasonable protection against harmful interference in a residential installation. This equipment generates, uses and can radiate radio frequency energy and, if not installed and used in accordance with the instructions, may cause harmful interference to radio communications. However, there is no guarantee that interference will not occur in a particular installation. If this equipment does cause harmful interference to radio or television reception, which can be determined by turning the equipment on and off, the user is encouraged to try to correct the interference by one or more of the following measures:

- Reorient or relocate the receiving antenna.
- Increase the separation between the equipment and receiver.
- Connect the equipment into an outlet on a circuit different from that to which the receiver is connected.
- Consult the dealer or an experienced radio/TV technician for help.

COPYRIGHT

© 2018 Guillemot Corporation S.A. All rights reserved. Thrustmaster® is a registered trademark of Guillemot Corporation S.A. All other trademarks are the property of their respective owners. Illustrations not binding. Contents, designs and specifications are subject to change without notice and may vary from one country to another. Made in China.

ENVIRONMENTAL PROTECTION RECOMMENDATION



* In the European Union: At the end of its working life, this product should not be disposed of with standard household waste, but rather dropped off at a collection point for the disposal of Waste Electrical and Electronic Equipment (WEEE) for recycling.

This is confirmed by the symbol found on the product, user manual or packaging. Depending on their characteristics, the materials may be recycled. Through recycling and other forms of processing Waste Electrical and Electronic Equipment, you can

make a significant contribution towards helping to protect the environment.

Please contact your local authorities for information on the collection point nearest you.

For all other countries: Please adhere to local recycling laws for electrical and electronic equipment.

Retain this information. Colours and decorations may vary.

Plastic fasteners and adhesives should be removed from the product before it is used.

www.thrustmaster.com

*Applicable to EU and Turkey only

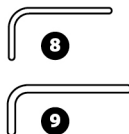
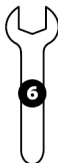
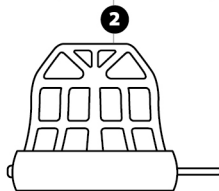
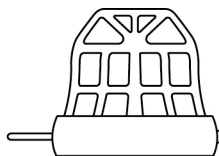
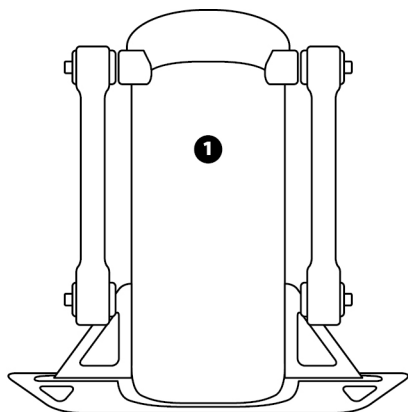


TPR

THRUSTMASTER PENDULAR RUDDER

PC

Manuel de l'utilisateur



DESCRIPTION DU PRODUIT

- 1 Corps du palonnier
- 2 Pédale (x2)
- 3 Ecrou (x2)
- 4 Rondelle (x2)
- 5 Câble USB

- 6 Clé plate 14 mm
- 7 Clé plate 8 mm
- 8 Clé Allen 2,5 mm
- 9 Clé Allen 3 mm

AVERTISSEMENT

Avant d'utiliser ce produit, lisez attentivement cette documentation et conservez-la pour pouvoir la consulter ultérieurement.



Avertissements

- * Conservez le produit dans un endroit sec et ne l'exposez ni à la poussière ni au soleil.
- * Respectez les sens de branchement.
- * Ne tordez pas et ne tirez pas sur les connecteurs et câbles.
- * Ne renversez pas de liquide sur le produit et son connecteur.
- * Ne mettez pas le produit en court-circuit.
- * Ne démontez jamais le produit (hormis pour les réglages possibles notifiés dans ce manuel), ne le jetez pas au feu et ne l'exposez pas à des températures élevées.
- * N'ouvrez pas l'appareil. L'appareil ne contient pas de pièces réparables par l'utilisateur. Confiez toute réparation au fabricant, à une agence spécifiée ou un technicien qualifié.
- * Laissez hors de portée des enfants.
- * Dans un environnement propice aux décharges électrostatiques, le produit peut fonctionner anormalement, s'éteindre et/ou se mettre en erreur, et nécessiter une réinitialisation.



Pour des raisons de sécurité, ne jouez pas pieds nus ou en chaussettes lorsque vous utilisez le palonnier.

THRUSTMASTER® DECLINE TOUTE RESPONSABILITE EN CAS DE BLESSURE SUITE A UNE UTILISATION DU PALONNIER SANS CHAUSSURES.



Produit à manipuler uniquement par des personnes âgées de 16 ans ou plus

PRODUIT LOURD



Ne pas laisser tomber le produit sur vous ou une autre personne

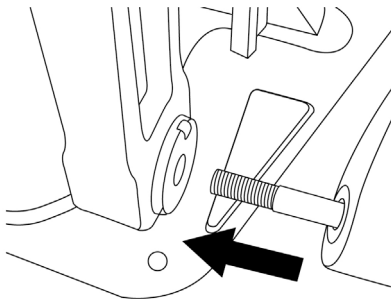
FIXATION DU TPR RUDDER

Vous pouvez utiliser les quatre perforations situées dans les coins de la plaque de métal du palonnier pour fixer l'ensemble sur un support fixe.

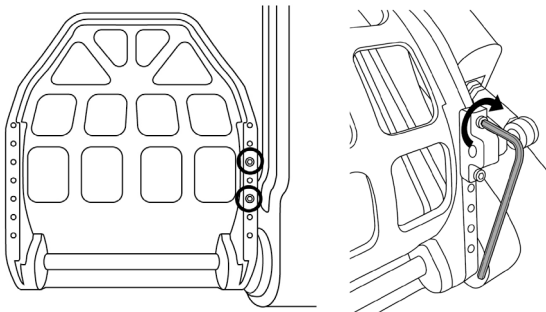
Le plan d'implantation du TPR pour les cockpits est disponible sur <http://support.thrustmaster.com>. Cliquez sur **Joystick / TPR Rudder**, puis sur **Template - Cockpit Setup**.

MONTAGE DU PRODUIT

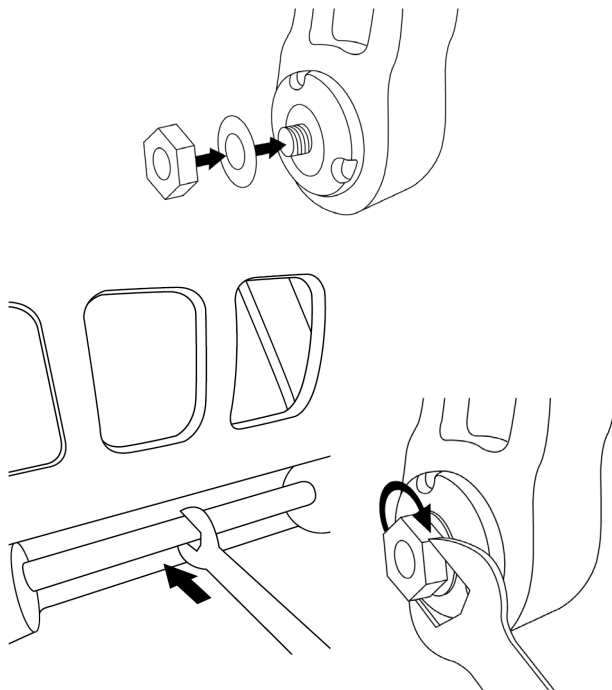
- 1- Insérez la pédale (2) dans le bras du corps (1).



- 2- Dévissez les deux vis présentes sur la pédale à l'aide de la clé Allen 2,5 mm (8), puis remontez-les en fixant le bras du capteur.



- 3- Insérez une rondelle (4) puis l'écrou (3) et serrez à l'aide des clés plates 14 mm (6) et 8 mm (7).

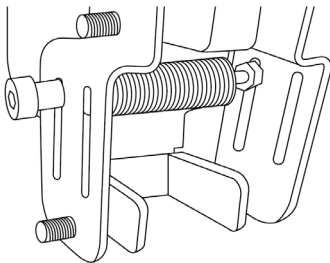


- 4- Répétez les opérations 1 à 3 pour la seconde pédale.

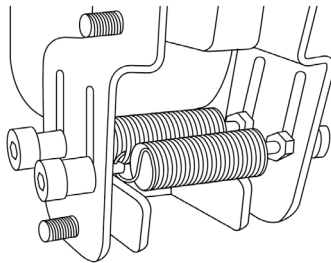
AJUSTEMENT DE LA TENSION DE L'AXE DU GOUVERNAIL

Ajustez le nombre et la position des ressorts à l'arrière du produit.

- Résistance minimale : 1 ressort en position haute
- Résistance maximale : 2 ressorts en position basse



Résistance minimale

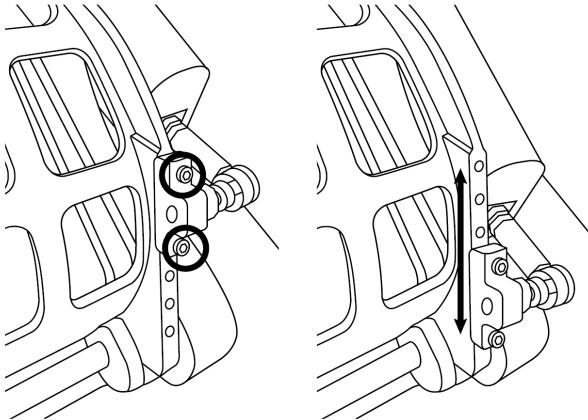


Résistance maximale

En fonction de la position choisie, la tension est comprise entre 2,5 kg et 5 kg.

AJUSTEMENT DE L'INCLINAISON DES DEUX PÉDALES

Point de réglage n° 1 :

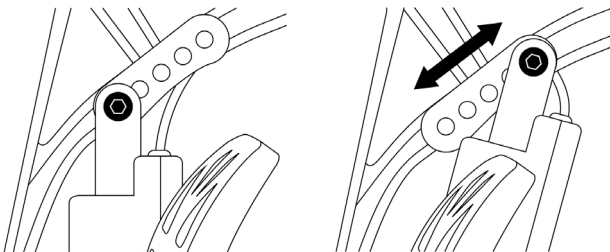


- A l'aide de la clé Allen 2,5 mm fournie (8), dévissez les deux vis maintenant la tête métallique de la pédale (2).
- Repositionnez ensuite le support dans la nouvelle position, puis revissez le tout.

Nombre de positions possibles sur ce point de réglage : 5

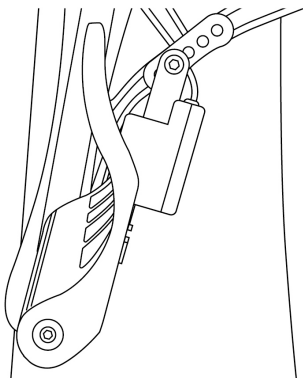
Point de réglage n° 2 :

- A l'aide de la clé Allen 3 mm fournie (9), dévissez la vis maintenant le capteur au corps (1).
- Repositionnez ensuite le support dans la nouvelle position, puis revissez le tout.

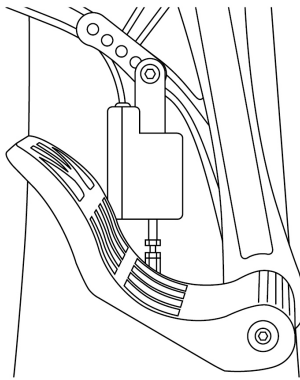


Nombre de positions possibles sur ce point de réglage : 5

Exemples :



Position la moins inclinée



Position la plus inclinée

En fonction de la position choisie sur les réglages 1 et 2 :

- L'angle de la pédale varie entre 35° et 75°.
- La course de la pédale varie.

Remarque : afin d'assurer le bon fonctionnement du produit, les trois vis mentionnées dans les réglages 1 et 2 doivent être fixées sur chaque pédale.

EN

FR

DE

NL

IT

ES

PT

BR

RU

EL

TR

PL

日本語

繁體中文

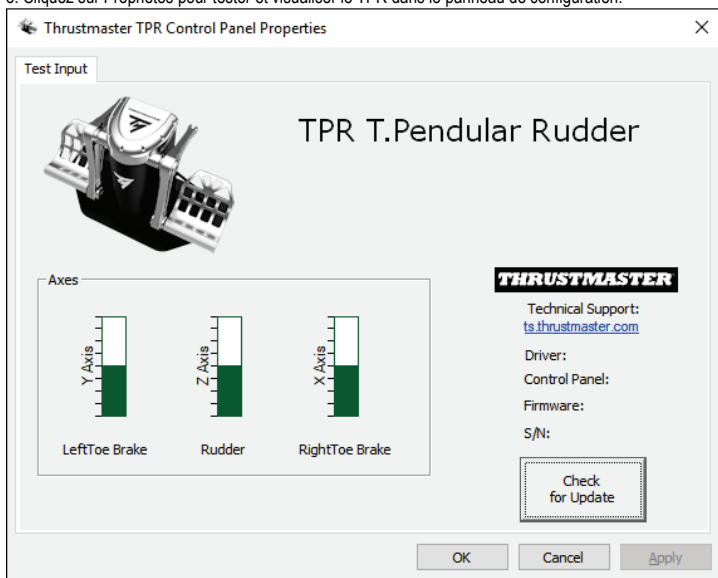
한국어

INSTALLATION SUR PC

1. Allez sur <http://support.thrustmaster.com> pour télécharger les pilotes pour PC. Cliquez sur **Joysticks / TPR Rudder**, puis sélectionnez **Pilotes**.
2. Une fois le téléchargement terminé, lancez l'installation, puis suivez les instructions affichées à l'écran pour brancher le connecteur USB du TPR Rudder sur votre PC et pour terminer l'installation.
3. Une fois l'installation terminée, cliquez sur Terminer et redémarrez votre ordinateur.
4. Sélectionnez Démarrer / Tous les programmes / Thrustmaster / Thrustmaster Hotas Warthog – TPR Rudder / Panneau de configuration pour ouvrir la fenêtre Contrôleurs de jeu.

La fenêtre Contrôleurs de jeu affiche le nom **TPR T.Pendular Rudder** avec l'état OK.

5. Cliquez sur Propriétés pour tester et visualiser le TPR dans le panneau de configuration:



Remarque : le pilote d'installation du TPR Rudder est désormais unifié avec le pilote du joystick Thrustmaster Hotas Warthog (le package d'installation pour les deux accessoires est donc identique).

REMARQUES GÉNÉRALES SUR PC

* Pensez à toujours fermer complètement la fenêtre Contrôleurs de jeu en cliquant sur OK avant de lancer votre jeu.

* La version du firmware du TPR Rudder apparaît en bas à droite dans les onglets du panneau de configuration.

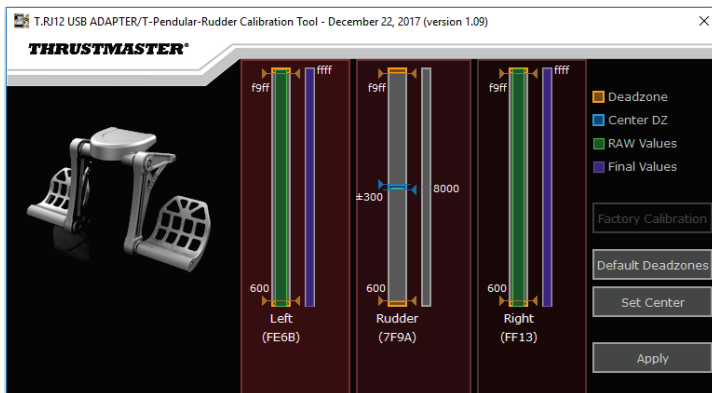
* Sur PC, le TPR Rudder est compatible :

- dans tous les jeux acceptant le multi-USB et les palonniers ;
- avec tous les joysticks du marché.

LOGICIEL DE CALIBRATION AVANCÉE

Allez sur <http://support.thrustmaster.com>. Cliquez sur Joysticks / TPR Rudder, puis sélectionnez Utilitaires. Téléchargez et installez le logiciel de calibration avancée pour :

- ajuster à votre convenance les zones mortes en début et fin de course sur l'axe du palonnier et sur les 2 axes de freins différentiels ;
- ajuster à votre convenance la zone morte centrale de l'axe du palonnier.



Une fois les réglages effectués, ils seront instantanément sauvegardés dans la mémoire interne du TPR Rudder.

LOGICIEL DE PROGRAMMATION AVANCÉE T.A.R.G.E.T. (Thrustmaster Advanced pRogramming Graphical EdiTor)

Allez sur <http://support.thrustmaster.com>. Cliquez sur Joysticks / TPR Rudder, puis sélectionnez Logiciel. Téléchargez et installez le logiciel de programmation avancée T.A.R.G.E.T.

Principales caractéristiques de T.A.R.G.E.T. :

- Diverses configurations possibles des axes du palonnier et des freins différentiels.
- Plusieurs niveaux de programmation possibles : Basic, Advanced et Script.
- Utilisation du principe Drag and Drop.
- Fusion possible du TPR Rudder avec les différents joysticks Thrustmaster (Hotas Cougar, Hotas Warthog, T.16000M, TWCS Throttle, MFD Cougar Pack, également compatibles avec T.A.R.G.E.T) permettant la reconnaissance d'un seul périphérique USB.
- Accès aux profils avancés créés par la communauté Thrustmaster.



MISE A JOUR DU FIRMWARE DU TPR RUDDER

Le firmware inclus dans le TPR Rudder peut être mis à jour (ce qui signifie qu'il peut être mis à jour par des versions plus récentes comportant des améliorations produits).

Pour afficher la version de firmware de votre TPR Rudder et le mettre à jour si nécessaire : sur PC, allez sur <http://support.thrustmaster.com>, cliquez sur **Joysticks / TPR Rudder**, puis sélectionnez **Firmware** et suivez les instructions et la procédure de téléchargement et d'installation.

DÉPANNAGE ET AVERTISSEMENT

- **Mon palonnier ne fonctionne pas correctement ou semble mal calibré.**
 - Éteignez votre PC, débranchez le connecteur USB du palonnier, rebranchez-le, rallumez votre PC, puis relancez votre jeu.
- **Je n'arrive pas à configurer mon palonnier.**
 - Dans le menu Options / Contrôleur / Manettes ou Joystick de votre jeu, choisissez la configuration appropriée ou reconfigurez complètement les options du contrôleur.
 - Pour plus d'informations, reportez-vous au manuel de l'utilisateur ou à l'aide en ligne de votre jeu.
 - Utilisez le logiciel de programmation avancée T.A.R.G.E.T (Thrustmaster Advanced pRogramming Graphical EdiTor).
- **Mon palonnier est trop ou pas assez sensible.**
 - Dans le menu Options / Contrôleur / Manettes ou Joystick de votre jeu, ajustez la sensibilité et les zones mortes de votre contrôleur (si l'option est disponible).
 - Utilisez le logiciel de calibration avancée.
 - Utilisez le logiciel de programmation avancée T.A.R.G.E.T (Thrustmaster Advanced pRogramming Graphical EdiTor).

AIDES ET ASTUCES DIVERSES (non notifiées dans ce manuel)

Diverses aides et astuces sont disponibles sur le site <http://support.thrustmaster.com>. Cliquez sur Joysticks / TPR Rudder.

EN

FR

DE

NL

IT

ES

PT

BR

RU

EL

TR

PL

日本語

繁體中文

한국어

INFORMATIONS RELATIVES A LA GARANTIE AUX CONSOMMATEURS

Dans le monde entier, Guillemot Corporation S.A., ayant son siège social Place du Granier, B.P. 97143, 35571 Chantepie, France (ci-après « Guillemot ») garantit au consommateur que le présent produit Thrustmaster est exempt de défaut matériel et de vice de fabrication, et ce, pour une période de garantie qui correspond au délai pour intenter une action en conformité de ce produit. Dans les pays de l'Union Européenne, ce délai est de deux (2) ans à compter de la délivrance du produit Thrustmaster. Dans les autres pays, la durée de la période de garantie correspond au délai pour intenter une action en conformité du produit Thrustmaster selon la législation en vigueur dans le pays où le consommateur avait son domicile lors de l'achat du produit Thrustmaster (si une telle action en conformité n'existe pas dans ce pays alors la période de garantie est de un (1) an à compter de la date d'achat d'origine du produit Thrustmaster).

Si, au cours de la période de garantie, le produit semble défectueux, contactez immédiatement le Support Technique qui vous indiquera la procédure à suivre. Si le défaut est confirmé, le produit devra être retourné à son lieu d'achat (ou tout autre lieu indiqué par le Support Technique).

Dans le cadre de la garantie, le consommateur bénéficiera, au choix du Support Technique, d'un remplacement ou d'une remise en état de marche du produit défectueux. Si, pendant la période de garantie, le produit Thrustmaster fait l'objet d'une telle remise en état, toute période d'immobilisation d'au moins sept jours vient s'ajouter à la durée de la garantie qui restait à courir (cette période court à compter de la demande d'intervention du consommateur ou de la mise à disposition pour remise en état du produit en cause, si cette mise à disposition est postérieure à la demande d'intervention). Lorsque la loi applicable l'autorise, toute responsabilité de Guillemot et ses filiales (y compris pour les dommages indirects) se limite à la remise en état de marche ou au remplacement du produit Thrustmaster. Lorsque la loi applicable l'autorise, Guillemot exclut toutes garanties de qualité marchande ou d'adaptation à un usage particulier.

Cette garantie ne s'appliquera pas : (1) si le produit a été modifié, ouvert, altéré, ou a subi des dommages résultant d'une utilisation inappropriée ou abusive, d'une négligence, d'un accident, de l'usure normale, ou de toute autre cause non liée à un défaut matériel ou à un vice de fabrication (y compris, mais non limitativement, une combinaison du produit Thrustmaster avec tout élément inadapté, notamment alimentations électriques, batteries, chargeurs, ou tous autres éléments non-fournis par Guillemot pour ce produit) ; (2) si le produit a été utilisé en dehors du cadre privé, à des fins professionnelles ou commerciales (salles de jeu, formations, compétitions, par exemple). (3) en cas de non respect des instructions du Support Technique ; (4) aux logiciels, lesdits logiciels faisant l'objet d'une garantie spécifique ; (5) aux consommables (éléments à remplacer pendant la durée de vie du produit : piles, coussinets de casque audio, par exemple) ; (6) aux accessoires (câbles, étuis, housses, sacs, dragonnes, par exemple) ; (7) si le produit a été vendu aux enchères publiques.

Cette garantie n'est pas transférable.

Les droits légaux du consommateur au titre de la législation applicable dans son pays à la vente de biens de consommation ne sont pas affectés par la présente garantie.

Par exemple, en France, indépendamment de la présente garantie, le vendeur reste tenu de la garantie légale de conformité mentionnée aux articles L. 217-4 à L.217-12 du code de la consommation et de celle relative aux défauts (vices cachés) de la chose vendue, dans les conditions prévues aux articles 1641 à 1648 et 2232 du code civil. La loi applicable (c'est-à-dire la loi française) impose de reproduire les extraits de la loi française suivants :

Article L. 217-4 du code de la consommation :

Le vendeur livre un bien conforme au contrat et répond des défauts de conformité existant lors de la délivrance.

Il répond également des défauts de conformité résultant de l'emballage, des instructions de montage ou de l'installation lorsque celle-ci a été mise à sa charge par le contrat ou a été réalisée sous sa responsabilité.

Article L. 217-5 du code de la consommation :

Le bien est conforme au contrat :

1° S'il est propre à l'usage habituellement attendu d'un bien semblable et, le cas échéant :

- s'il correspond à la description donnée par le vendeur et possède les qualités que celui-ci a présentées à l'acheteur sous forme d'échantillon ou de modèle ;

- s'il présente les qualités qu'un acheteur peut légitimement attendre eu égard aux déclarations publiques faites par le vendeur, par le producteur ou par son représentant, notamment dans la publicité ou l'étiquetage ;

2° Ou s'il présente les caractéristiques définies d'un commun accord par les parties ou est propre à tout usage spécial recherché par l'acheteur, porté à la connaissance du vendeur et que ce dernier a accepté.

Article L. 217-12 du code de la consommation :

L'action résultant du défaut de conformité se prescrit par deux ans à compter de la délivrance du bien.

Article L. 217-16 du code de la consommation :

Lorsque l'acheteur demande au vendeur, pendant le cours de la garantie commerciale qui lui a été consentie lors de l'acquisition ou de la réparation d'un bien meuble, une remise en état couverte par la garantie, toute période d'immobilisation d'au moins sept jours vient s'ajouter à la durée de la garantie qui restait à courir.

Cette période court à compter de la demande d'intervention de l'acheteur ou de la mise à disposition pour réparation du bien en cause, si cette mise à disposition est postérieure à la demande d'intervention.

Article L. 1641 du code civil:

Le vendeur est tenu de la garantie à raison des défauts cachés de la chose vendue qui la rendent impropre à l'usage auquel on la destine, ou qui diminuent tellement cet usage que l'acheteur ne l'aurait pas acquise, ou n'en aurait donné qu'un moindre prix, s'il les avait connus.

Article L. 1648 alinéa 1^{er} du code civil:

L'action résultant des vices rédhibitoires doit être intentée par l'acquéreur dans un délai de deux ans à compter de la découverte du vice.

Stipulations additionnelles à la garantie

Pendant la période de garantie, Guillemot ne fournira, en principe, pas de pièce détachée car le Support Technique est seul habilité tant à ouvrir qu'à remettre en état tout produit Thrustmaster (à l'exception des remises en état que le Support Technique demanderait, par instructions écrites, au consommateur d'effectuer - par exemple en raison de la simplicité et de l'absence de confidentialité du processus de remise en état-, en lui fournissant, le cas échéant, la ou les pièces détachées nécessaires).

Compte tenu de ses cycles d'innovation et pour préserver ses savoir-faire et secrets, Guillemot ne fournira, en principe, ni notice de remise en état, ni pièce détachée pour tout produit Thrustmaster dont la période de garantie est expirée.

Aux États-Unis d'Amérique et au Canada, la présente garantie est limitée au mécanisme interne et au boîtier externe du produit. En aucun cas, Guillemot ou ses sociétés affiliées ne sauraient être tenues responsables envers qui que ce soit de tous dommages indirects ou dommages accessoires résultant du non respect des garanties expresses ou implicites. Certains États/Provinces n'autorisent pas la limitation sur la durée d'une garantie implicite, ou l'exclusion ou la limitation de responsabilité pour les dommages indirects ou accessoires, de sorte que les limitations ou exclusions ci-dessus peuvent ne pas vous être applicables. Cette garantie vous confère des droits spécifiques ; vous pouvez également bénéficier d'autres droits qui peuvent différer d'un État/Province à l'autre.

Responsabilité

Lorsque la loi applicable l'autorise, Guillemot Corporation S.A. (ci-après « Guillemot ») et ses filiales excluent toute responsabilité pour tous dommages causés par un ou plusieurs des faits suivants: (1) le produit a été modifié, ouvert, altéré, (2) l'irrespect des instructions de montage, (3) l'utilisation inappropriée ou abusive, la négligence, l'accident (un choc, par exemple), (4) l'usure normale du produit, (5) l'utilisation du produit en dehors du cadre privé, à des fins professionnelles ou commerciales (salles de jeu, formations, compétitions, par exemple). Lorsque la loi applicable l'autorise, Guillemot et ses filiales excluent toute responsabilité pour tout dommage dont la cause n'est pas liée à un défaut matériel ou à un vice de fabrication du produit (y compris, mais non limitativement, tout dommage causé directement ou indirectement par tout logiciel, ou par une combinaison du produit Thrustmaster avec tout élément inadapté, notamment alimentations électriques, batteries, chargeurs, ou tous autres éléments non-fournis par Guillemot pour ce produit).

THRUSTMASTER®

SUPPORT TECHNIQUE

<http://support.thrustmaster.com>



Déclaration de conformité

UTILISATEURS CANADIENS :

Cet appareil numérique de la classe B respecte toutes les exigences du Règlement sur le matériel brouilleur du Canada.

COPYRIGHT

© 2018 Guillemot Corporation S.A. Tous droits réservés. Thrustmaster® est une marque déposée de Guillemot Corporation S.A. Toutes les autres marques sont la propriété de leurs propriétaires respectifs. Illustrations non contractuelles. Le contenu, la conception et les spécifications sont susceptibles de changer sans préavis et de varier selon les pays. Fabriqué en Chine.

RECOMMANDATION RELATIVE A LA PROTECTION DE L'ENVIRONNEMENT



* Dans l'Union Européenne : En fin de vie, ce produit ne doit pas être éliminé avec les déchets ménagers normaux mais déposé à un point de collecte des déchets d'équipements électriques et électroniques en vue de son recyclage.

Ceci est confirmé par le symbole figurant sur le produit, le manuel utilisateur ou l'emballage.

En fonction de leurs caractéristiques, les matériaux peuvent être recyclés. Par le recyclage et par les autres formes de valorisation des déchets d'équipements électriques et électroniques, vous contribuez de manière significative à la

protection de l'environnement. Veuillez consulter les autorités locales qui vous indiqueront le point de collecte concerné.

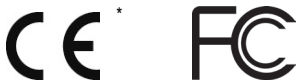
Dans les autres pays : Veuillez vous reporter aux législations locales relatives au recyclage des équipements électriques et électroniques.

Informations à conserver. Les couleurs et décorations peuvent varier.

Il est recommandé de retirer les attaches en plastique et les adhésifs avant d'utiliser le produit.

www.thrustmaster.com

**Applicable à l'UE et la Turquie uniquement*

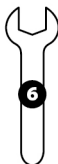
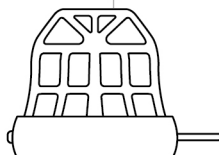
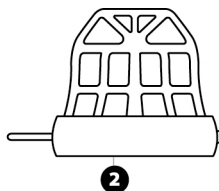
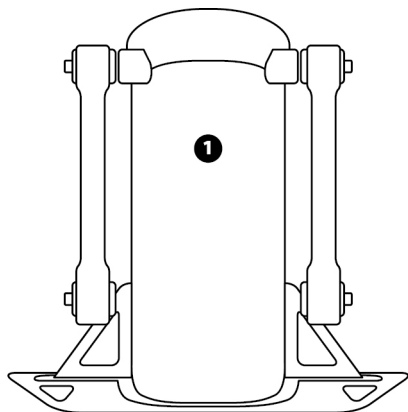


TPR

THRUSTMASTER PENDULAR RUDDER

PC

Benutzerhandbuch



TECHNISCHE MERKMALE

- 1 Ruderkörper
- 2 Pedal (x2)
- 3 Schraubenmutter (x2)
- 4 Unterlegscheibe (x2)
- 5 USB-Kabel

- 6 14 mm flacher Gabelschlüssel
- 7 8 mm flacher Gabelschlüssel
- 8 2.5 mm Inbusschlüssel
- 9 3 mm Inbusschlüssel

WARNHINWEISE

Bevor Sie dieses Produkt benutzen, lesen Sie bitte dieses Handbuch sorgfältig durch und bewahren Sie es zum späteren Nachschlagen auf.



Warnhinweise

- * Bewahren Sie das Produkt an einem trockenen Ort auf und setzen Sie es weder Staub noch direktem Sonnenlicht aus.
- * Beachten Sie die Verbindungsrichtungen.
- * Ziehen Sie nicht an den Steckern und Kabeln und verdrehen Sie diese nicht.
- * Verschütten Sie keine Flüssigkeiten auf das Produkt oder dessen Anschluss.
- * Schließen Sie das Produkt nicht kurz.
- * Zerlegen Sie das Produkt niemals (abgesehen von eventuellen Einstellungen, die in diesem Handbuch erwähnt werden). Werfen Sie es nicht ins Feuer und setzen Sie es keinen hohen Temperaturen aus.
- * Öffnen Sie das Gerät bitte nicht: Es befinden sich darin keine vom Nutzer reparierbaren Teile. Reparaturen müssen vom Hersteller, seinem autorisierten Vertreter oder einem qualifizierten Techniker durchgeführt werden.
- * Bewahren Sie das Gerät außerhalb der Reichweite von Kindern auf.
- * In einer Umgebung, die anfällig für elektrostatische Entladungen ist, kann das Produkt abnormal funktionieren, sich selbst ausschalten und oder in den Fehlermodus wechseln, wodurch das Produkt zurückgesetzt werden muss.



Benutzen Sie das Ruder aus Sicherheitsgründen niemals mit bloßen Füßen oder während Sie nur Socken an Ihren Füßen tragen.

THRUSTMASTER® ÜBERNIMMT KEINE VERANTWORTUNG FÜR VERLETZUNGEN, DIE SICH AUS DER VERWENDUNG DES RUDERS OHNE SCHUHE ERGEBEN.

SCHWERES PRODUKT



Dieses Produkt ist nicht für Kinder geeignet und sollte ausschließlich nur von Personen ab 16 Jahren oder darüber benutzt werden.



Lassen Sie das Produkt nicht auf sich selbst fallen und werfen Sie dieses niemals auf andere Personen!

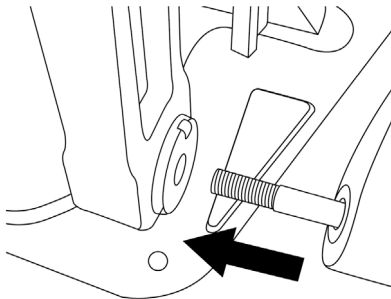
MONTAGE DES TPR RUDDER

Sie können die vier Lochungen in den Ecken der Ruderplatte verwenden, um das Gerät an einem stationären Ständer oder einer Halterung zu befestigen.

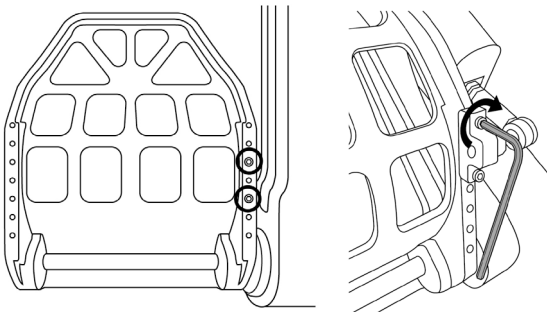
Den Montage-Leitfaden für den Einbau des TPR Rudder in ein Cockpit finden Sie unter <https://support.thrustmaster.com>. Klicken Sie auf **Joysticks / TPR Rudder** und wählen **Template - Cockpit Setup (Leitfaden Cockpit-Einbau)**.

ZUSAMMENBAU DES PRODUKTS

1. Stecken Sie das Pedal (2) in den Arm am Trägerkörper (1).



2. Lösen Sie die beiden Schrauben an der Rückseite des Pedals mit dem 2,5 mm Inbusschlüssel (8) und schrauben Sie sie wieder ein, indem Sie den Arm des Sensors befestigen.



EN

FR

DE

NL

IT

ES

PT

BR

RU

EL

TR

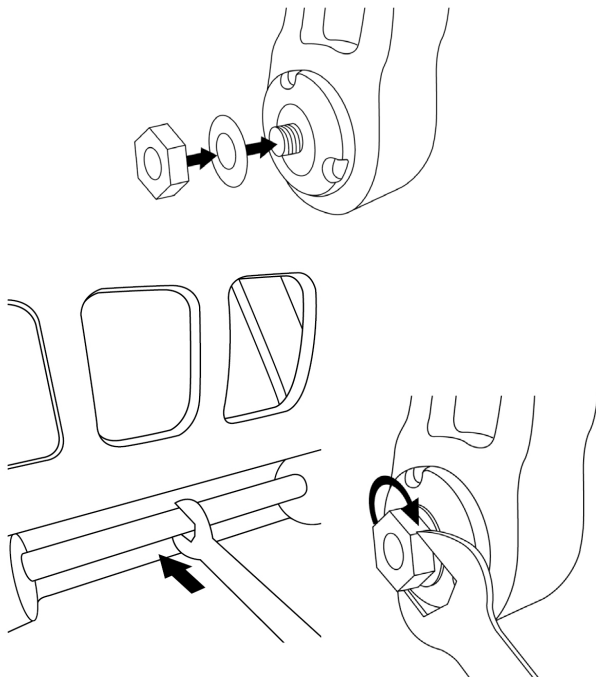
PL

日本語

繁體中文

한국어

3. Setzen Sie eine Unterlegscheibe (4) und eine Mutter (3) oben ein und ziehen Sie dann die Baugruppe mit dem 14 mm Gabelschlüssel (6) und dem 8 mm Gabelschlüssel (7) fest.

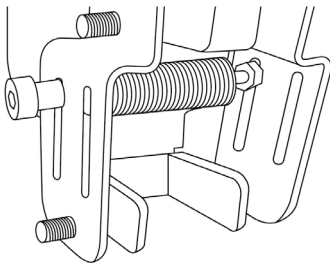


4. Wiederholen Sie die Schritte 1 bis 3 für das zweite Pedal.

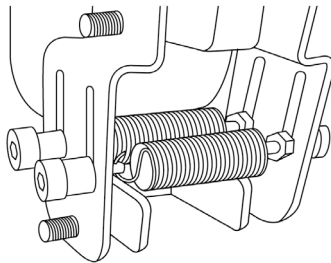
EINSTELLUNG DER SPANNUNG DER RUDERACHSE

Stellen Sie die Anzahl und Position der Federn auf der Rückseite des Produkts ein.

- Minimaler Widerstand: 1 Feder in der oberen Position
- Maximaler Widerstand: 2 Federn in der unteren Position



Minimaler Widerstand



Maximaler Widerstand

Abhängig von der gewählten Position beträgt die Spannung zwischen 2,5 kg und 5 kg.

EN

FR

DE

NL

IT

ES

PT

BR

RU

EL

TR

PL

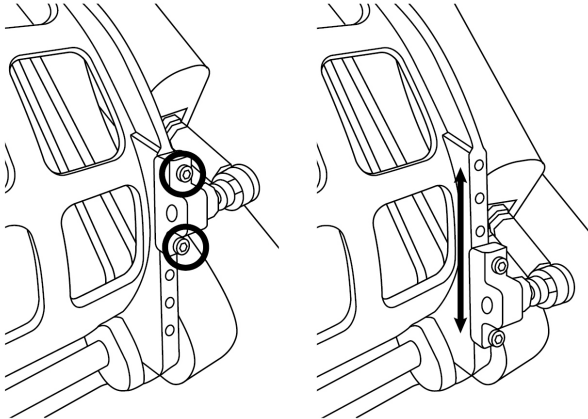
日本語

繁體中文

한국어

EINSTELLUNG DER NEIGUNG DER BEIDEN PEDALE

Einstellungspunkt Nummer 1:

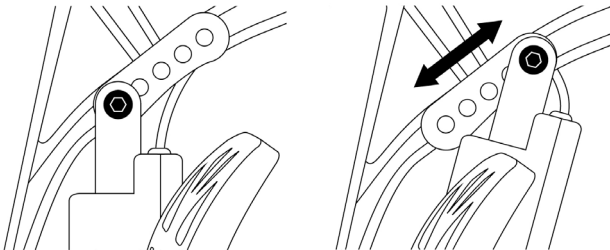


- Mit dem im Lieferumfang enthaltenen 2,5 mm Inbusschlüssel **(8)** lösen Sie bitte die beiden Schrauben am Metallkopf des Pedals **(2)**.
- Positionieren Sie die Halterung in ihre neue Position und schrauben Sie alles wieder zusammen.

Anzahl der möglichen Positionen für diesen Anpassungspunkt: 5

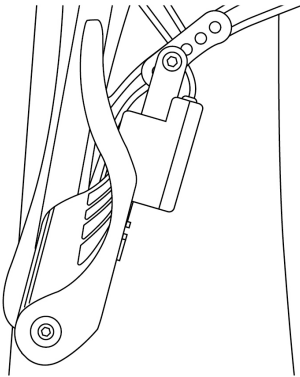
Einstellungspunkt Nummer 2:

- Mit dem mitgelieferten 3 mm Inbusschlüssel **(9)** lösen Sie bitte die Schraube, mit der der Sensor am Trägerkörper befestigt ist **(1)**.
- Setzen Sie die Halterung in ihre neue Position und schrauben Sie alles wieder zusammen.

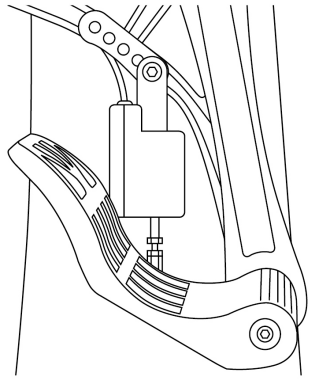


Anzahl der möglichen Positionen für diesen Anpassungspunkt: 5

Beispiele:



Niedrigste Neigungsposition



Höchste Neigungsposition

Abhängig von den in den Einstellungen 1 und 2 gewählten Positionen:

- Der Pedalwinkel variiert zwischen 35° und 75°.
- Der Wegbereich des Pedals variiert.

Bitte beachten Sie: Um sicherzustellen, dass das Produkt ordnungsgemäß funktioniert, müssen alle drei Schrauben, die für die Einstellpunkte 1 und 2 beschrieben wurden, an jedem Pedal angebracht werden.

EN

FR

DE

NL

IT

ES

PT

BR

RU

EL

TR

PL

日本語

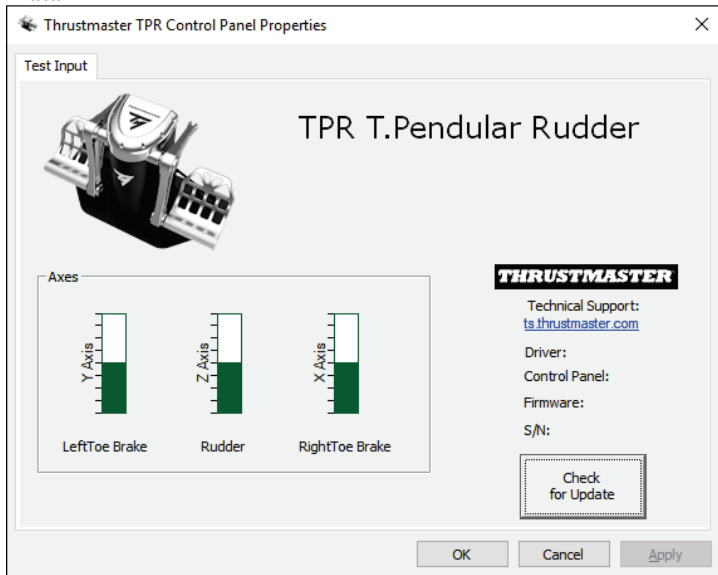
繁體中文

한국어

INSTALLATION AUF DEM PC

1. Gehen Sie auf <https://support.thrustmaster.com>, um die Treiber für den PC herunterzuladen. Klicken Sie auf **Joysticks / TPR Rudder**, dann suchen Sie **Drivers (Treiber)**.
2. Sobald der Download abgeschlossen ist, starten Sie die Installation und befolgen Sie die Anweisungen auf dem Bildschirm, um den USB-Anschluss des TPR Rudder mit Ihrem PC zu verbinden und die Installation abzuschließen.
3. Ist die Installation vollständig, klicken Sie auf **Beenden** und starten Ihren Computer neu.
4. Wählen Sie **Start / Programme / Thrustmaster / Thrustmaster Hotas Warthog – TPR Rudder / Systemsteuerung** um das Fenster **Gamecontroller** zu öffnen.

Das Fenster **Gamecontroller** zeigt den Namen **TPR T.Pendular Rudder** mit dem Status **OK** an.
5. Klicken Sie auf **Eigenschaften** um das TPR Rudder im Benutzerprogramm zu sehen und zu testen.



Bitte beachten Sie: Der Installationstreiber des TPR Rudder ist jetzt mit dem Treiber für den Thrustmaster Hotas Warthog Joystick vereinheitlicht (das Installationspaket für beide Zubehörteile ist daher identisch).

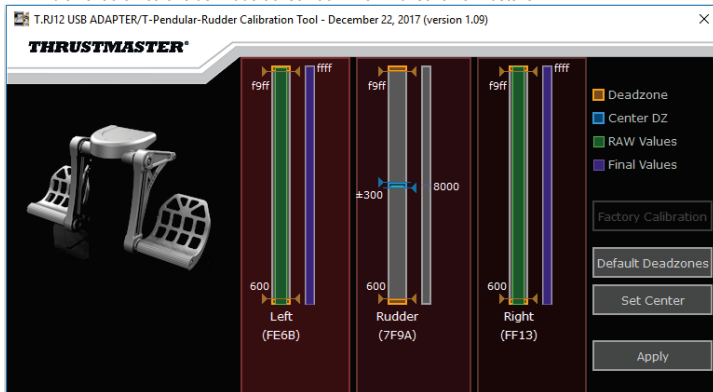
ALLGEMEINE HINWEISE FÜR DEN PC

- Vergewissern Sie sich, dass Sie das Fenster **Gamecontroller** immer komplett schließen, indem Sie auf **OK** klicken, bevor Sie mit dem Spiel beginnen.
- Die Firmware-Version des TPR Rudder wird im unteren rechten Teil der Registerkarten des Benutzerprogramms angezeigt.
- Auf dem PC ist das TPR Rudder kompatibel:
 - mit allen Spielen, die Multi-USB und Rudder unterstützen;
 - mit allen erhältlichen Joysticks.

ERWEITERTE KALIBRIERUNGS-SOFTWARE

Bitte besuchen Sie <https://support.thrustmaster.com>. Klicken Sie auf **Joysticks / TPR Rudder** und wählen dann **Utilities (Dienstprogramme)**. Laden Sie die erweiterte Kalibrierungs-Software herunter und installieren diese, um:

- die Totzonen am Anfang und Ende des Wegbereichs auf der Ruderachse und auf den 2 Achsen der Differentialbremsen nach Ihren Wünschen anzupassen.
- die zentrale Totzone der Ruderachse nach Ihren Wünschen einzustellen.



Sobald die Einstellungen vorgenommen wurden, werden sie sofort im internen Speicher des TPR Rudder gespeichert.

T.A.R.G.E.T. ERWEITERTE PROGRAMMIERUNGS-SOFTWARE (Thrustmaster Advanced pRogramming Graphical EdiTor)

Bitte besuchen Sie <https://support.thrustmaster.com>. Klicken Sie auf **Joysticks / TPR Rudder** und wählen dann **Software (Software)** aus. Laden Sie die erweiterte Programmierungs-Software T.A.R.G.E.T. herunter und installieren diese.

Hauptmerkmale von T.A.R.G.E.T.:

- Verschiedene mögliche Konfigurationen für die Ruderachsen und die Differentialbremsen.
- Verschiedene mögliche Programmierstufen: Basic, Advanced und Script.
- Verwenden des Drag & Drop (Ziehen & Ablegen) Prinzips.
- Möglichkeit zur Kombination des TPR Rudder mit diversen Thrustmaster Joysticks (Hotas Cougar, Hotas Warthog, T.16000M, TWCS Throttle, MFD Cougar Pack, alle, die ebenfalls mit T.A.R.G.E.T. kompatibel sind), damit sie als ein einzelnes USB-Gerät erkannt werden können.
- Zugriff auf erweiterte Profile, die von der Thrustmaster Community kreiert wurden.



AKTUALISIERUNG DER TPR RUDDER FIRMWARE

Die im TPR Rudder enthaltene Firmware kann aktualisiert werden (das heißt, es kann auf neuere Versionen einschließlich Produktverbesserungen aktualisiert werden).

Um die TPR Rudder Firmware-Version anzuzeigen und gegebenenfalls zu aktualisieren: Rufen Sie auf dem PC bitte <https://support.thrustmaster.com> auf, klicken Sie auf **Joysticks / TPR Rudder**, wählen dann **Firmware (Firmware)** aus und folgen den Anweisungen sowie dem Download-und Installationsvorgang.

FEHLERBEHEBUNG UND WARNHINWEISE

- **Mein Ruder funktioniert nicht ordnungsgemäß oder scheint falsch kalibriert zu sein.**
 - Schalten Sie Ihren PC aus und ziehen Sie den USB-Stecker des Ruders ab. Danach stecken Sie den USB-Stecker wieder ein, schalten Ihren PC wieder an und starten Ihr Spiel erneut.
- **Ich kann mein Ruder nicht konfigurieren.**
 - Im Optionen / Controller / Gamepad oder Joystick Menü Ihres Spiels wählen Sie die entsprechende Konfiguration aus oder konfigurieren Sie die Optionen des Controllers vollständig neu.
 - Für weitere Informationen beachten Sie bitte das Benutzerhandbuch oder die Online-Hilfe Ihres Spiels.
 - Nutzen Sie die T.A.R.G.E.T. (Thrustmaster Advanced pRogramming Graphical EdiTor) erweiterte Programmierungs-Software.
- **Mein Ruder reagiert zu empfindlich oder nicht empfindlich genug.**
 - Im Optionen / Controller / Gamepad oder Joystick Menü stellen Sie bitte die Empfindlichkeit und die Totzonen Ihres Controllers ein (sofern diese Optionen verfügbar sind).
 - Benutzen Sie die erweiterte Kalibrierungs-Software.
 - Nutzen Sie die T.A.R.G.E.T. (Thrustmaster Advanced pRogramming Graphical EdiTor) erweiterte Programmierungs-Software.

HILFE UND TIPPS (nicht in diesem Benutzerhandbuch enthalten)

Diverse Hilfedateien und Tipps erhalten Sie auf der Webseite <https://support.thrustmaster.com>.
Klicken Sie **Joysticks / TPR Rudder**.

EN

FR

DE

NL

IT

ES

PT

BR

RU

EL

TR

PL

日本語

繁體中文

한국어

Kunden-Garantie-Information

Guillemot Corporation S.A. mit Hauptfirmensitz in Place du Granier, B.P. 97143, 35571 Chantepie, France (fortfolgend "Guillemot") garantiert Kunden weltweit, daß dieses Thrustmaster Produkt frei von Mängeln in Material und Verarbeitung für eine Gewährleistungsfrist ist, die mit der Frist für eine Mängelrüge bezüglich des Produktes übereinstimmt. In den Ländern der Europäischen Union entspricht diese einem Zeitraum von zwei (2) Jahren ab Kaufdatum des Thrustmaster Produktes. In anderen Ländern entspricht die Gewährleistungsfrist der zeitlichen Begrenzung für eine Mängelrüge bezüglich des Thrustmaster Produktes in Übereinstimmung mit anwendbarem Recht des Landes, in dem der Kunde zum Zeitpunkt des Erwerbs eines Thrustmaster Produktes wohnhaft ist. Sollte eine entsprechende Regelung in dem entsprechenden Land nicht existieren, umfasst die Gewährleistungspflicht einen Zeitraum von einem (1) Jahr ab dem originären Kaufdatum des Thrustmaster Produktes.

Sollten bei dem Produkt innerhalb der Gewährleistungsfrist Defekte auftreten, kontaktieren Sie unverzüglich den technischen Kundendienst, der die weitere Vorgehensweise anzeigt. Wurde der Defekt bestätigt, muß das Produkt an die Verkaufsstelle (oder an eine andere Stelle, je nach Maßgabe des technischen Kundendienstes) retourniert werden.

Im Rahmen dieser Garantie sollte das defekte Produkt des Kunden, je nach Entscheidung des technischen Kundendienstes, entweder ausgetauscht oder repariert werden. Sollte während der Garantiezeit das Thrustmaster Produkt einer derartigen Instandsetzung unterliegen und das Produkt während eines Zeitraums von mindestens sieben (7) Tagen nicht benutzbar sein, wird diese Zeit der restlichen Garantiezeit hinzugefügt. Diese Frist läuft ab dem Zeitpunkt, an dem der Wunsch des Verbrauchers bezüglich einer Intervention vorliegt oder ab dem Tag, an dem das fragliche Produkt zur Instandsetzung zur Verfügung steht, falls das Datum, an dem das Produkt zur Instandsetzung zur Verfügung steht, dem Datum des Antrags auf Intervention nachfolgt. Wenn nach geltendem Recht zulässig, beschränkt sich die volle Haftung von Guillemot und ihrer Tochtergesellschaften auf die Reparatur oder den Austausch des Thrustmaster Produktes (inklusive Folgeschäden). Wenn nach geltendem Recht zulässig, lehnt Guillemot alle Gewährleistungen der Marktgängigkeit oder Eignung für einen bestimmten Zweck ab.

Der Gewährleistungsanspruch verfällt: (1) Falls das Produkt modifiziert, geöffnet, verändert oder ein Schaden durch unsachgemäßen oder missbräuchlichen Gebrauch hervorgerufen wurde, sowie durch Fahrlässigkeit, einen Unfall, Verschleiß oder irgendeinem anderen Grund – aber nicht durch Material- oder Herstellungsfehler (einschließlich, aber nicht beschränkt auf, die Kombination der Thrustmaster Produkte mit ungeeigneten Elementen, insbesondere Netzteile, Akkus, Ladegeräte, oder andere Elemente, die von Guillemot für dieses Produkt nicht mitgeliefert wurden); (2) Falls das Produkt für eine andere Nutzung als zum privaten Hausgebrauch, einschließlich für professionelle oder kommerzielle Zwecke (z. B. Spielhallen, Training, Wettkämpfe) verwendet wird; (3) Im Falle der Nichteinhaltung der durch den technischen Support erteilten Anweisungen; (4) Durch Software. Die besagte Software ist Gegenstand einer speziellen Garantie; (5) Bei Verbrauchsmaterialien (Elemente, die während der Produktlebensdauer ausgetauscht werden, wie z. B. Einwegbatterien, Ohrpolster für ein Audioheadset oder für Kopfhörer); (6) Bei Accessoires (z. B. Kabel, Etuis, Taschen, Beutel, Handgelenk-Riemen); (7) Falls das Produkt in einer öffentlichen Versteigerung verkauft wurde. Diese Garantie ist nicht übertragbar.

Die Rechte des Kunden in Übereinstimmung mit anwendbarem Recht bezüglich des Verkaufs auf Konsumgüter im Land der/der Kunden/Kundin wird durch diese Garantie nicht beeinträchtigt.

Zusätzliche Gewährleistungsbestimmungen

Während der Garantiezeit bietet Guillemot grundsätzlich keine Ersatzteile an, da der technische Kundendienst der einzige autorisierte Partner zum Öffnen und/oder Instandsetzen jedweden Thrustmaster-Produkts ist (mit Ausnahme von irgendwelchen Instandsetzungsverfahren, die der Kunde nach Maßgabe des technischen Kundendienstes und durch schriftliche Instruktionen sowie der Zurverfügungstellung des/der eventuell erforderlichen Ersatzteil(s)(e) selbst in der Lage ist durchzuführen – zum Beispiel aufgrund der Einfachheit und einer nicht erforderlichen Geheimhaltung des Instandsetzungsverfahrens).

Aufgrund seiner Innovationszyklen und um sein Know-how und seine Geschäftsgeheimnisse zu schützen, bietet Guillemot grundsätzlich keine Instandsetzungs-Benachrichtigung oder Ersatzteile für alle Thrustmaster Produkte an, deren Garantiezeit abgelaufen ist.

Haftung

Wenn nach dem anwendbaren Recht zulässig, lehnen Guillemot Corporation S.A. (fortfolgend "Guillemot") und ihre Tochtergesellschaften jegliche Haftung für Schäden, die auf eine oder mehrere der folgenden Ursachen zurückzuführen sind, ab: (1) das Produkt wurde modifiziert, geöffnet oder geändert; (2) Nichtbefolgung der Montageanleitung; (3) unangebrachte Nutzung, Fahrlässigkeit, Unfall (z. B. ein Aufprall); (4) normalem Verschleiß; (5) Die Verwendung des Produkts für jedwede andere Nutzung als zum privaten Hausgebrauch, einschließlich professionelle oder kommerzielle Zwecke (z. B. Spielhallen, Training, Wettkämpfe). Wenn nach anwendbarem Recht zulässig, lehnen Guillemot und seine Niederlassungen jegliche Haftung für Schäden, die nicht auf einen Material- oder Herstellungsfehler in Bezug auf das Produkt beruhen (einschließlich, aber nicht beschränkt auf, etwaige Schäden, die direkt oder indirekt durch Software oder durch die Kombination der Thrustmaster Produkte mit ungeeigneten Elementen, insbesondere Netzteile, Akkus, Ladegeräte, oder andere Elemente, die von Guillemot für dieses Produkt nicht geliefert wurden), ab.

THRUSTMASTER®

TECHNISCHER SUPPORT

<http://support.thrustmaster.com>



COPYRIGHT

© Guillemot Corporation S.A. 2018. Alle Rechte vorbehalten. Thrustmaster® ist ein eingetragenes Warenzeichen der Guillemot Corporation S.A. Alle anderen Handelsmarken sind im Besitz Ihrer jeweiligen Eigentümer. Illustrationen nicht verbindlich. Inhalte, Design und Spezifikationen können ohne vorherige Ankündigung geändert werden und können von Land zu Land unterschiedlich sein. Hergestellt in China.

Hinweise zum Umweltschutz



* In der Europäischen Union: Dieses Produkt darf nach Ende seiner Lebensdauer nicht über den Hausmüll entsorgt werden, sondern muss an einem Sammelpunkt für das Recycling von elektrischen und elektronischen Geräten abgegeben werden.

Das Symbol auf dem Produkt, der Gebrauchsanleitung oder der Verpackung weist darauf hin.

Die Werkstoffe sind gemäß ihrer Kennzeichnung wiederverwertbar. Mit der Wiederverwertung, der stofflichen Verwertung oder anderen Formen von Altgeräten leisten Sie einen wichtigen Beitrag zum Schutz unserer Umwelt. Bitte erfragen Sie bei der Gemeindeverwaltung die zuständige Entsorgungsstelle.

Für alle anderen Länder: Bitte beachten Sie die lokalen Entsorgungsrichtlinien/-Gesetze bezüglich elektrischen und elektronischen Equipments.

Wichtige Informationen. Die Farben und Verzierungen können abweichen.
Plastikhalterungen und Aufkleber bitte vor der Nutzung des Produktes entfernen.

www.thrustmaster.com

Nur in der EU und der Türkei anwendbar

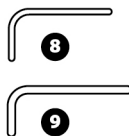
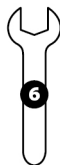
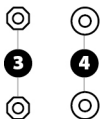
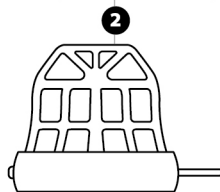
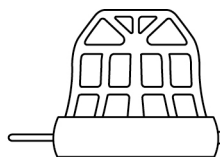
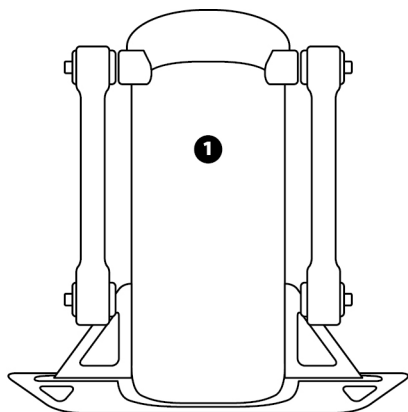


TPR

THRUSTMASTER PENDULAR RUDDER

PC

Handleiding



TECHNISCHE KENMERKEN

- 1 Roerhuis
- 2 Pedaal (x2)
- 3 Moer (x2)
- 4 Ring (x2)
- 5 USB-kabel

- 6 14 mm steeksleutel
- 7 8 mm steeksleutel
- 8 2,5 mm inbussleutel
- 9 3 mm inbussleutel

WAARSCHUWING

Lees, voordat u dit product gebruikt, deze handleiding zorgvuldig door en bewaar hem om eventueel op een later tijdstip te kunnen raadplegen.



Waarschuwingen

- * Berg dit product op een droge plek op, uit de zon en stofvrij.
- * Houd rekening met de richtingen van de aansluiting.
- * Trek nooit te hard aan een kabel of connector, en zorg dat er geen knikken in kabels komen.
- * Mors geen vloeistoffen op het product of op een connector.
- * Veroorzaak geen kortsluiting.
- * Haal het product nooit uit elkaar (uitgezonderd ten behoeve van eventuele afstellingen beschreven in deze handleiding), gooi het niet in het vuur en stel het niet bloot aan hoge temperaturen.
- * Maak het product niet open. In het product bevinden zich geen door de gebruiker te onderhouden of te repareren onderdelen. Alle reparaties dienen te worden uitgevoerd door de fabrikant, haar bevoegde vertegenwoordiger of een gekwalificeerd technicus.
- * Houd het product buiten het bereik van kinderen.
- * Onder omstandigheden waarin zich elektrostatische ontladingen kunnen voordoen, kan het product afwijkend functioneren, zichzelf uit- of inschakelen of in de foutmodus gaan. Onder dergelijke omstandigheden kan het nodig zijn het product te resetten.



Om veiligheidsredenen mogen de pedalen nooit worden bediend met blote voeten of met alleen sokken aan.

THRUSTMASTER® WIJST ELKE VERANTWOORDELIJKHEID AF IN GEVAL VAN LETSEL ALS GEVOLG VAN HET ZONDER SCHOENEN AAN GEBRUIKEN VAN HET ROER.



Product mag alleen verplaatst worden door gebruikers van 16 jaar of ouder

ZWAAR PRODUCT



Wees voorzichtig en laat het product niet op uzelf of iemand anders vallen!

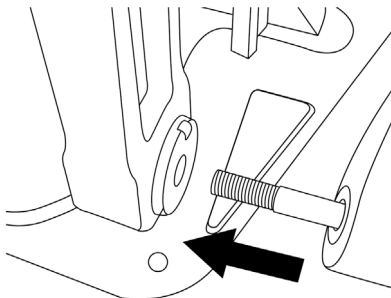
BEVESTIGEN VAN TPR RUDDER

Op de vier hoeken van de metalen onderplaat van de TPR RUDDER zijn gaten aangebracht die u kunt gebruiken om de eenheid ergens op te bevestigen.

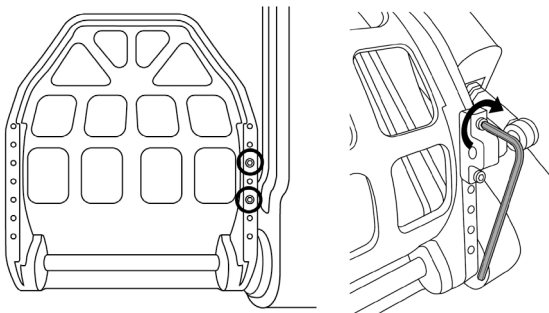
Het installatiesjabloon voor gebruik van de TPR Rudder in een cockpit is beschikbaar op <https://support.thrustmaster.com>. Klik op **Joysticks / TPR Rudder** en selecteer vervolgens **Template – Cockpit Setup [Sjabloon - cockpitinstallatie]**.

IN ELKAAR ZETTEN VAN PRODUCT

1. Steek het pedaal (2) in de arm op het huis (1).



2. Draai de twee bouten achterop het pedaal los met de 2,5 mm inbussleutel (8) en monteer de sensorarm door de twee bouten er weer in te draaien.



EN

FR

DE

NL

IT

ES

PT

BR

RU

EL

TR

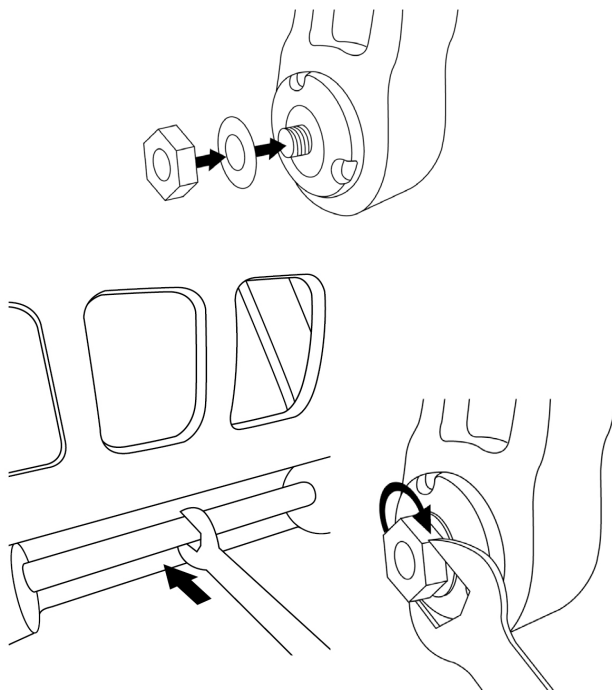
PL

日本語

繁體中文

한국어

3. Plaats een ringetje (4) en een moer (3), en zet de eenheid vast met de 14 mm steeksleutel (6) en de 8 mm steeksleutel (7).

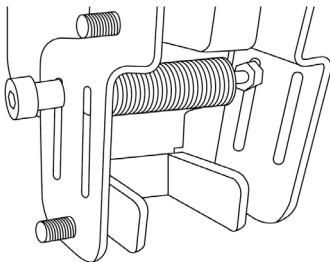


4. Herhaal stap 1 tot 3 voor het tweede pedaal.

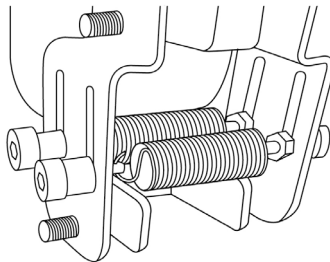
AANPASSEN VAN FRICTIE OP ROERAS

Pas het aantal veren en de stand van de veren aan op de achterzijde van de eenheid.

- Minimale weerstand: 1 veer in hoge stand.
- Maximale weerstand: 2 veren in lage stand.



Minimale weerstand



Maximale weerstand

De frictie is tussen 2,5 en 5,0 kg, afhankelijk van de geselecteerde stand.

EN

FR

DE

NL

IT

ES

PT

BR

RU

EL

TR

PL

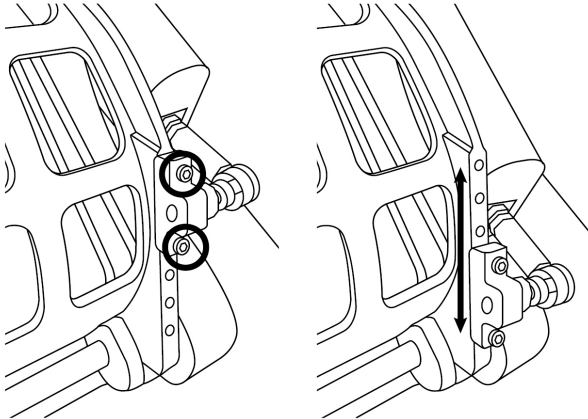
日本語

繁體中文

한국어

AFSTELLEN VAN HOEK VAN DE TWEE PEDALEN

Afstelpunt nummer 1:

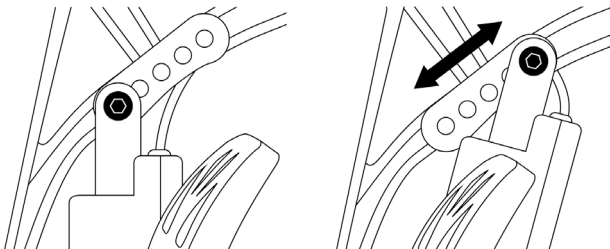


- Draai met behulp van de meegeleverde 2,5 mm inbussleutel **(8)** de twee bouten los van de metalen kop van het pedaal **(2)**.
- Zet de steun in zijn nieuwe stand en schroef alles weer in elkaar.

Aantal mogelijke standen voor dit afstelpunt: 5

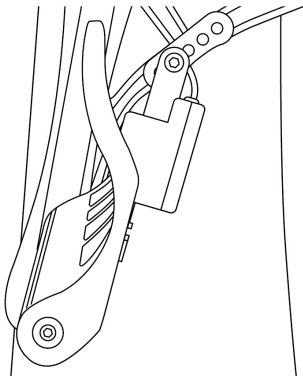
Afstelpunt nummer 2:

- Draai met behulp van de meegeleverde 3 mm inbussleutel **(9)** de bout los waarmee de sensor aan het huis **(1)** is bevestigd.
- Zet de steun in zijn nieuwe stand en schroef alles weer in elkaar.

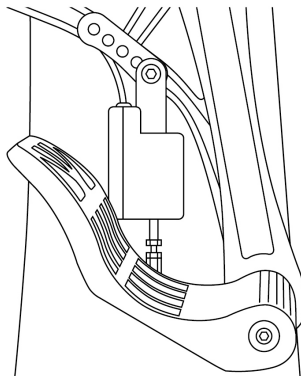


Aantal mogelijke standen voor dit afstelpunt: 5

Voorbeelden:



Kleinste pedaalhoek



Grootste pedaalhoek

Afhankelijk van de standen gekozen in afstellingen 1 en 2:

- De pedaalhoek varieert tussen 35° en 75°.
- De pedaalslag varieert.

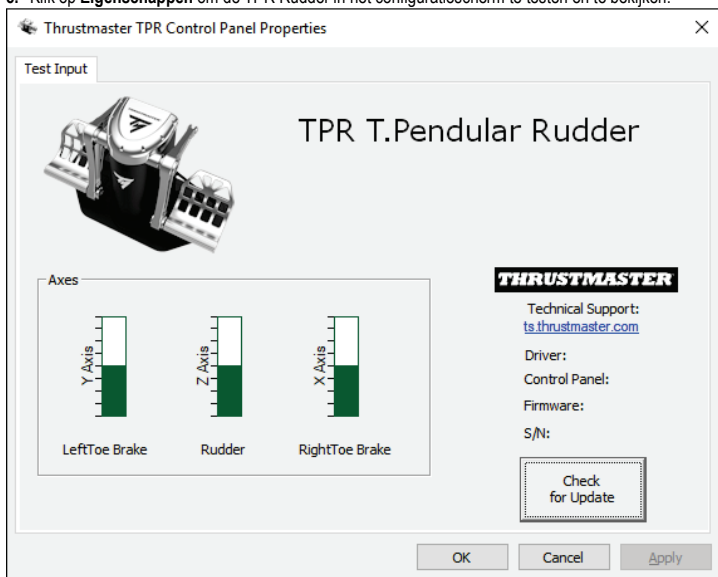
Let op: om er zeker van te zijn dat het product correct functioneert, moeten alle drie de bouten beschreven bij afstelpunten 1 en 2 bevestigd zijn op elk pedaal.

INSTALLATIE OP DE PC

1. Ga naar <https://support.thrustmaster.com> voor het downloaden van de drivers voor de PC. Klik op **Joysticks / TPR Rudder** en selecteer vervolgens **Drivers**.
2. Start de installatie nadat de download is voltooid en volg de instructies op het scherm om de USB-stekker van de TPR Rudder aan te sluiten op uw PC en de installatie te voltooien.
3. Klik nadat de installatieprocedure is afgerond op **Voltooien** om uw PC opnieuw te starten.
4. Selecteer **Start / Alle programma's / Thrustmaster / Thrustmaster Hotas Warthog – TPR Rudder / Configuratiescherm** om het venster **Spelbesturingen** te openen.

Het venster **Spelbesturingen** geeft de naam **TPR T.Pendular Rudder** met de status **OK**.

5. Klik op **Eigenschappen** om de TPR Rudder in het configuratiescherm te testen en te bekijken:



Let op: de installatiedriver van de TPR Rudder is nu gelijkgetrokken met die van de Thrustmaster Hotas Warthog. Beide producten maken daarom nu gebruik van hetzelfde installatiepakket.

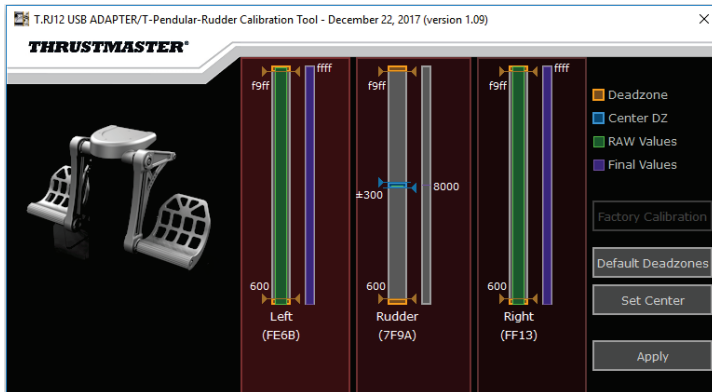
ALGEMENE OPMERKINGEN VOOR PC-GEBRUIKERS

- Denk er aan om het venster **Spelbesturingen** altijd volledig te sluiten door op **OK** te klikken voordat u een game start.
- De firmwareversie van de TPR Rudder wordt weergegeven in de rechteronderhoek op de tabbladen van het configuratiescherm.
- Op een PC is de TPR Rudder compatibel met:
 - alle games die multi-USB en roeren ondersteunen
 - alle joysticks op de markt.

GEAVANCEERDE KALIBRATIESOFTWARE

Ga naar <https://support.thrustmaster.com>. Klik op **Joysticks / TPR Rudder** en selecteer vervolgens **Utility's**. Download en installeer de geavanceerde kalibratiesoftware. Hiermee kunt u:

- de dode zones naar eigen voorkeur instellen op het begin en op het eind van het bereik van de roeras en op de twee assen van de differentieelremmen
- de dode middenzone van de roeras naar eigen voorkeur instellen.



Elke instelling die u maakt of wijzigt, wordt onmiddellijk opgeslagen in het interne geheugen van de TPR Rudder.

T.A.R.G.E.T. GEAVANCEERDE PROGRAMMEERSOFTWARE (Thrustmaster Advanced pRogramming Graphical EdiTor)

Ga naar <https://support.thrustmaster.com>. Klik op **Joysticks / TPR Rudder** en selecteer vervolgens **Software**. Download en installeer de T.A.R.G.E.T. geavanceerde programmeersoftware.

Belangrijkste kenmerken van T.A.R.G.E.T.:

- Verschillende mogelijke configuraties voor de assen van het roer en van de differentieelremmen.
- Verschillende mogelijke programmeerniveaus: Basic, Advanced en Script.
- Gebruik van "Drag and Drop".
- Mogelijkheid om de TPR Rudder te combineren met verschillende Thrustmaster-joysticks (Hotas Cougar, Hotas Warthog, T.16000M, TWCS Throttle en MFD Cougar Pack, die ook alle compatibel zijn met T.A.R.G.E.T.) waardoor ze herkend kunnen worden als één enkel USB-apparaat.
- Toegang tot geavanceerde profielen gemaakt door de Thrustmaster-community.



BIJWERKEN VAN FIRMWARE VAN TPR RUDDER

De firmware in de TPR Rudder kan worden bijgewerkt naar een nieuwere en verbeterde versie wanneer een dergelijke versie beschikbaar komt.

Als u op de PC de firmwareversie van uw TPR Rudder wilt bekijken en de firmware eventueel wilt bijwerken, gaat u op <https://support.thrustmaster.com> naar **Joysticks / TPR Rudder**, selecteert u **Firmware** en volgt u de instructies en de procedure voor het downloaden en installeren.

PROBLEMEN OPLOSSEN EN WAARSCHUWINGEN

- **Mijn roer werkt niet goed of lijkt slecht gekalibreerd te zijn.**
 - Zet uw PC uit en koppel de USB-aansluiting van het roer los. Sluit vervolgens de USB-connector weer aan, zet de PC weer aan en herstart de game.
- **Ik kan mijn roer niet configureren.**
 - Selecteer de meest geschikte configuratie in het menu Options / Controller / Gamepad of Joystick van de game, of maak een compleet nieuwe configuratie van de opties van de controller.
 - Raadpleeg de handleiding of de online help van de game voor meer informatie.
 - Gebruik de T.A.R.G.E.T. (Thrustmaster Advanced pRogramming Graphical EdiTor) geavanceerde programmeersoftware.
- **Mijn roer reageert te gevoelig of reageert niet gevoelig genoeg.**
 - Pas in het menu Options / Controller / Gamepad of Joystick van de game de gevoeligheid en dode zones aan voor de controller (als deze opties beschikbaar zijn).
 - Gebruik de geavanceerde kalibratiesoftware.
 - Gebruik de T.A.R.G.E.T. (Thrustmaster Advanced pRogramming Graphical EdiTor) geavanceerde programmeersoftware.

HELPEBESTANDEN EN TIPS (niet opgenomen in deze handleiding)

Op de website <https://support.thrustmaster.com> vindt u diverse helpbestanden en tips. Selecteer Joysticks / TPR Rudder.

EN

FR

DE

NL

IT

ES

PT

BR

RU

EL

TR

PL

日本語

繁體中文

한국어

Informatie met betrekking tot kopersgarantie

Wereldwijd garandeert Guillemot Corporation S.A., het statutair adres gevestigd aan de Place du Granier, B.P. 97143, 35571 Chantepie, Frankrijk, (hierna te noemen "Guillemot") aan de koper dat dit Thrustmaster-product vrij zal zijn van materiaal- en fabricagefouten gedurende een garantieperiode gelijk aan de tijd maximaal vereist om een restitutie/vervanging voor dit product te claimen. In landen van de Europese Unie komt dit overeen met een periode van twee (2) jaar vanaf het moment van levering van het Thrustmaster-product. In andere landen komt de garantieperiode overeen met de tijd maximaal vereist om een restitutie/vervanging voor dit Thrustmaster-product te claimen zoals wettelijk is vastgelegd in het land waarin de koper woonachtig was op de datum van aankoop van het Thrustmaster-product. Indien een dergelijk claimrecht niet wettelijk is vastgelegd in het betreffende land, geldt een garantieperiode van één (1) jaar vanaf datum aankoop van het Thrustmaster-product.

Indien u in de garantieperiode een defect meent te constateren aan dit product, neem dan onmiddellijk contact op met Technical Support die u zal informeren over de te volgen procedure. Als het defect wordt bevestigd, dient het product te worden geretourneerd naar de plaats van aankoop (of een andere locatie die wordt opgegeven door Technical Support).

Binnen het gestelde van deze garantie wordt het defecte product van de koper gerepareerd of vervangen, zulks ter beoordeling van Technical Support. Indien het Thrustmaster-product tijdens de garantieperiode is onderworpen aan een dergelijk herstel, wordt elke periode van ten minste zeven (7) dagen waarin het product niet in gebruik is, opgeteld bij de resterende garantieperiode (deze periode loopt vanaf de datum van verzoek van de consument voor interventie of vanaf de datum waarop het product in kwestie beschikbaar is gesteld voor herstel als de datum waarop het product ter beschikking wordt gesteld voor herstel later is dan de datum van het verzoek om interventie). Indien toegestaan door van toepassing zijnde wetgeving, beperkt de volledige aansprakelijkheid van Guillemot en haar dochterondernemingen (inclusief de aansprakelijkheid voor vervolgschade) zich tot het repareren of vervangen van het Thrustmaster-product. Indien toegestaan door van toepassing zijnde wetgeving, wijst Guillemot elke garantie af met betrekking tot verhandelbaarheid of geschiktheid voor enig doel.

Deze garantie is niet van kracht: (1) indien het product aangepast, geopend of gewijzigd is, of beschadigd is ten gevolge van oneigenlijk of onvoorzichtig gebruik, verwaarlozing, een ongeluk, normale slijtage, of enige andere oorzaak die niet gerelateerd is aan een materiaal- of fabricagefout (inclusief maar niet beperkt tot het combineren van het Thrustmaster-product met enig ongeschikt element waaronder in het bijzonder voedingsadapters, oplaadbare batterijen, opladers of enig ander element niet geleverd door Guillemot voor dit product); (2) als het product is gebruikt voor enig ander doel dan thuisgebruik, zoals maar niet exclusief een professioneel of commercieel doel (bijvoorbeeld game rooms, training, wedstrijden); (3) indien u zich niet houdt aan de instructies zoals verstrekt door Technical Support; (4) op software die onder een specifieke garantie valt; (5) op verbruiksartikelen (elementen die tijdens de levensduur van het product worden vervangen zoals bijvoorbeeld batterijen of pads van een headset of koptelefoon); (6) op accessoires (zoals bijvoorbeeld kabels, behuizingen, hoesjes, etui's, draagtassen of polsbandjes); (7) indien het product werd verkocht op een openbare veiling.

Deze garantie is niet overdraagbaar.

De wettelijke rechten van de koper die in zijn/haar land van toepassing zijn op de verkoop van consumentproducten worden op generlei wijze door deze garantie beperkt.

Aanvullende garantiebepalingen

Gedurende de garantieperiode zal Guillemot in principe nooit reserveonderdelen leveren omdat Technical Support de enige partij is die bevoegd is een Thrustmaster-product te openen en/of te herstellen (met uitzondering van een herstelprocedure die de klant door Technical Support gevraagd wordt uit te voeren met behulp van schriftelijke instructies – omdat deze procedure bijvoorbeeld eenvoudig is en het herstelproces niet vertrouwelijk is – en door het verstrekken aan de consument van de benodigde onderdelen, indien van toepassing).

Gezien de innovatiecycli en om haar knowhow en handelsgeheimen te beschermen, zal Guillemot in principe nooit een herstelbeschrijving of reserveonderdelen verstrekken voor een Thrustmaster-product waarvan de garantieperiode is verstreken.

Aansprakelijkheid

Indien toegestaan door van toepassing zijnde wetgeving, wijzen Guillemot Corporation S.A. (hierna te noemen "Guillemot") en haar dochterondernemingen alle aansprakelijkheid af voor enige schade veroorzaakt door één van de volgende oorzaken: (1) indien het product aangepast, geopend of gewijzigd is; (2) de montage-instructies niet zijn opgevolgd; (3) oneigenlijk of onvoorzichtig gebruik, verwaarlozing, een ongeluk (bijvoorbeeld stoten); (4) normale slijtage; (5) het gebruik van het product voor enig ander doel dan thuisgebruik, zoals maar niet exclusief een professioneel of commercieel doel (bijvoorbeeld game rooms, training, wedstrijden). Indien toegestaan onder van toepassing zijnde wetgeving, wijzen Guillemot en haar dochterondernemingen alle aansprakelijkheid af voor enige schade aan dit product niet gerelateerd aan een materiaal- of fabricagefout (inclusief maar niet beperkt tot enige schade direct of indirect veroorzaakt door enige software, of door het combineren van het Thrustmaster-product met enig ongeschikt element waaronder in het bijzonder voedingsadapters, oplaadbare batterijen, opladers of enig ander element niet geleverd door Guillemot voor dit product).

THRUSTMASTER®

TECHNISCHE ONDERSTEUNING

<http://support.thrustmaster.com/>



COPYRIGHT

© 2018 Guillemot Corporation S.A. Alle rechten voorbehouden. Thrustmaster® is een geregistreerd handelsmerk van Guillemot Corporation S.A. Alle andere handelsmerken zijn eigendom van de respectieve eigenaren. Afbeeldingen zijn niet bindend. Inhoud, ontwerp en specificaties kunnen zonder kennisgeving vooraf worden gewijzigd en kunnen per land verschillen. Geproduceerd in China.

AANBEVELINGEN VOOR DE BESCHERMING VAN HET MILIEU



* In de Europese Unie: Gooi dit product na het einde van de levensduur niet weg met het normale afval, maar breng het naar het door uw gemeente aangewezen inzamelpunt voor elektrische en/of computerapparatuur.

Ter herinnering is hiertoe op het product, de gebruikshandleiding of de verpakking een symbool aangebracht.

De meeste materialen kunnen worden gerecycled. Door recycling en andere methoden voor verantwoorde verwerking van afgedankte elektrische en elektronische apparaten kunt u een belangrijke bijdrage leveren aan de bescherming van het milieu.

Neem contact op met uw gemeente voor informatie over een inzamelpunt bij u in de buurt.

In alle andere landen: houd u aan de plaatselijk milieuwetgeving voor elektrische en elektronische apparaten.

Bewaar deze informatie. De kleuren en decoraties kunnen variëren.

Plastic bevestigingen en hechtmaterialen moeten van het product worden verwijderd voordat het wordt gebruikt.

www.thrustmaster.com

**Alleen van toepassing in de EU en Turkije*

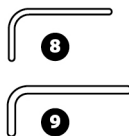
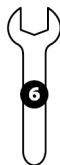
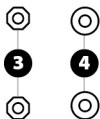
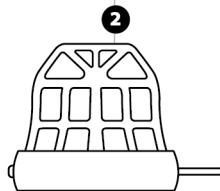
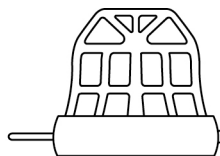
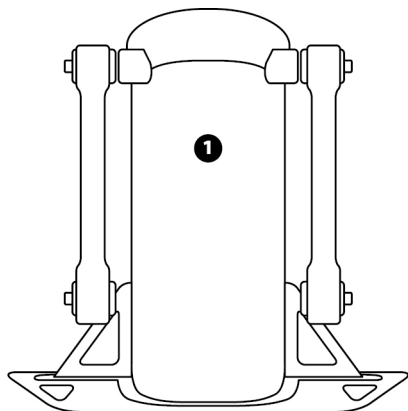


TPR

THRUSTMASTER PENDULAR RUDDER

PC

Manuale d'uso



CARATTERISTICHE TECNICHE

- 1 Corpo del timone
- 2 Pedale (x2)
- 3 Dado (x2)
- 4 Rondella (x2)
- 5 Cavo USB

- 6 Chiave piatta da 14 mm
- 7 Chiave piatta da 8 mm
- 8 Chiave Allen da 2,5 mm
- 9 Chiave Allen da 3 mm

ATTENZIONE

Prima di utilizzare questo prodotto, ti invitiamo a leggere con attenzione il presente manuale e a conservarlo per una futura consultazione.



Avvisi

- * Conserva questo prodotto in un luogo asciutto e non esporlo alla polvere o alla luce del sole.
- * Rispetta l'orientamento delle connessioni.
- * Non torcere e non tirare i connettori e i cavi.
- * Non versare liquidi sul prodotto o sui relativi connettori.
- * Non cortocircuitare il prodotto.
- * Non smontare questo prodotto (se non per eventuali regolazioni citate nel presente manuale); non gettarlo nel fuoco e non esporlo alle alte temperature.
- * Non aprire la periferica: all'interno, non vi sono parti riparabili dall'utente. Qualunque riparazione dovrà essere effettuata dal produttore, da un suo rappresentante autorizzato o da un tecnico qualificato.
- * Mantieni il prodotto lontano dalla portata dei bambini.
- * In un ambiente soggetto a scariche elettrostatiche, il prodotto potrebbe non funzionare correttamente, spegnersi da solo e/o entrare in modalità di errore, obbligandoti a resettare il prodotto stesso.



Per motivi di sicurezza, non utilizzare mai il timone a piedi nudi o indossando solamente i calzini.

THRUSTMASTER® DECLINA OGNI RESPONSABILITÀ IN CASO DI INFORTUNI DERIVANTI DALL'USO DEL TIMONE SENZA SCARPE.

PRODOTTO PESANTE



Prodotto maneggevole solo da utenti con almeno 16 anni di età



Fa attenzione a non lasciar cadere il prodotto addosso a te o a chiunque altro!

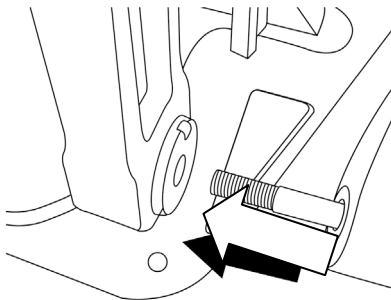
FISSAGGIO DEL TPR RUDDER

Per fissare l'unità a una base o a un supporto stabili, puoi utilizzare i quattro fori presenti sugli angoli della placca metallica del timone.

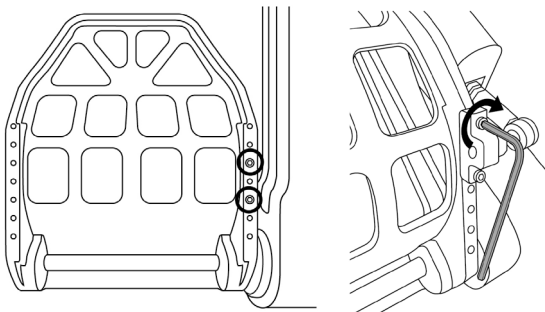
Lo schema di installazione del TPR Rudder per l'uso in un abitacolo, è disponibile sul sito <https://support.thrustmaster.com>. Clicca su **Joystick / TPR Rudder**, quindi seleziona **Template – Cockpit Setup (Schemi - Configurazione per Abitacolo)**.

ASSEMBLAGGIO DEL PRODOTTO

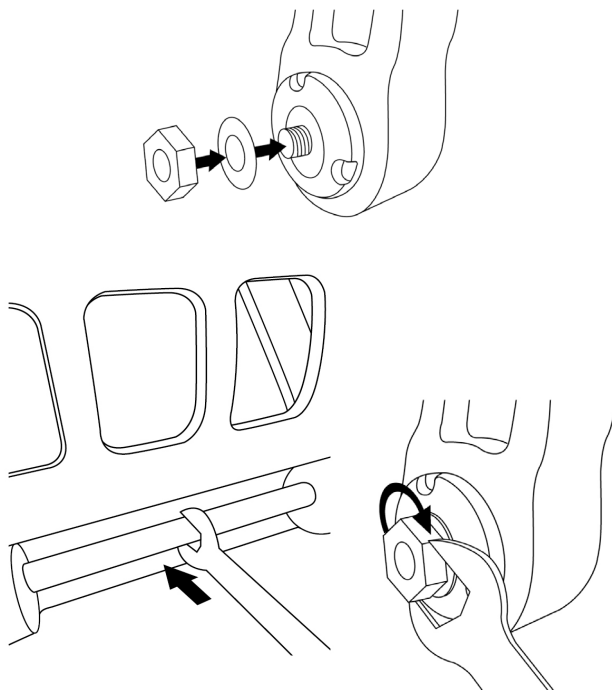
1. Inserisci il pedale (2) nella relativa leva del corpo del timone (1).



2. Utilizzando la chiave Allen da 2,5 mm (8), svita le due viti presenti sul retro del pedale, dopodiché riavvitale fissandole al sensore della leva.



3. Nella parte superiore, inserisci una rondella (4) e un dado (3), quindi stringi il tutto utilizzando la chiave piatta da 14 mm (6) e la chiave piatta da 8 mm (7).

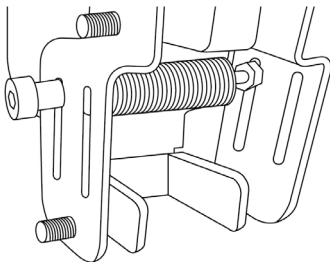


4. Ripeti i passaggi da 1 a 3 per il secondo pedale.

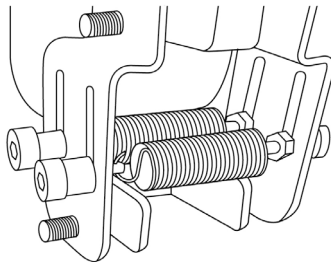
REGOLAZIONE DELLA TENSIONE DELL'ASSE DEL TIMONE

Cambia il numero e la posizione delle molle presenti sul retro del prodotto.

- Resistenza minima: una molla posizionata in alto
- Resistenza massima: due molle posizionate in basso



Resistenza minima



Resistenza massima

A seconda della posizione selezionata, la tensione varierà da 2,5 a 5 kg.

EN

FR

DE

NL

IT

ES

PT

BR

RU

EL

TR

PL

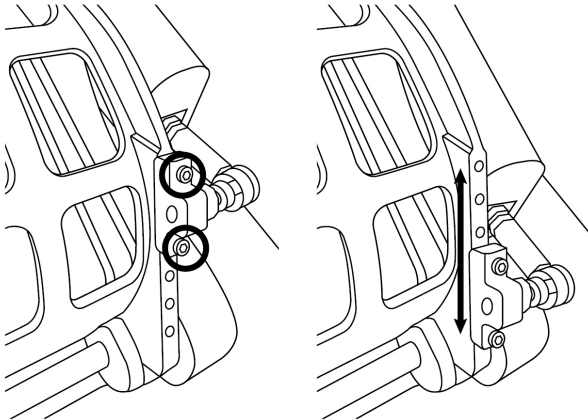
日本語

繁體中文

한국어

REGOLAZIONE DELL'INCLINAZIONE DEI DUE PEDALI

Punto di regolazione numero 1:

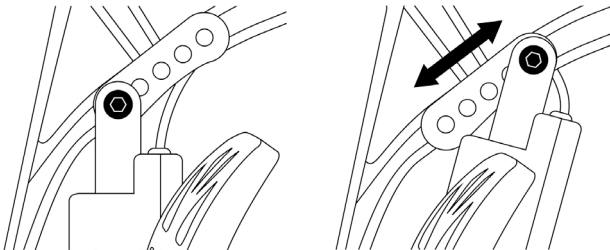


- Utilizzando l'acclusa chiave Allen da 2,5 mm **(8)**, rimuovi le due viti presenti sulla testa metallica del pedale **(2)**.
- Ricolloca il supporto nella sua nuova posizione e riavvita il tutto.

Numero di possibili posizioni per questo punto di regolazione: 5

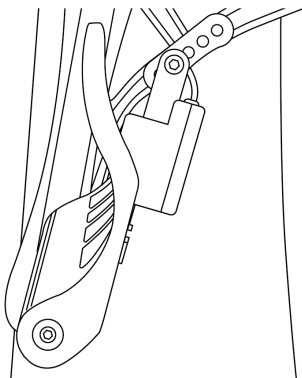
Punto di regolazione numero 2:

- Utilizzando l'acclusa chiave Allen da 3 mm **(9)**, rimuovi la vite che fissa il sensore al corpo **(1)**.
- Ricolloca il supporto nella sua nuova posizione e riavvita il tutto.

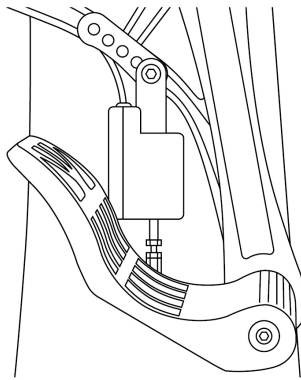


Numero di possibili posizioni per questo punto di regolazione: 5

Esempi:



Posizione a minor inclinazione



Posizione a inclinazione massima

A seconda delle posizioni scelte per i punti di regolazione 1 e 2:

- L'angolo del pedale potrà variare tra 35° e 75°.
- La corsa del pedale cambierà.

Attenzione: per assicurarti che il prodotto funzioni correttamente, tutte e tre le viti dei punti di regolazione 1 e 2 dovranno essere fissate a ciascun pedale.

EN

FR

DE

NL

IT

ES

PT

BR

RU

EL

TR

PL

日本語

繁體中文

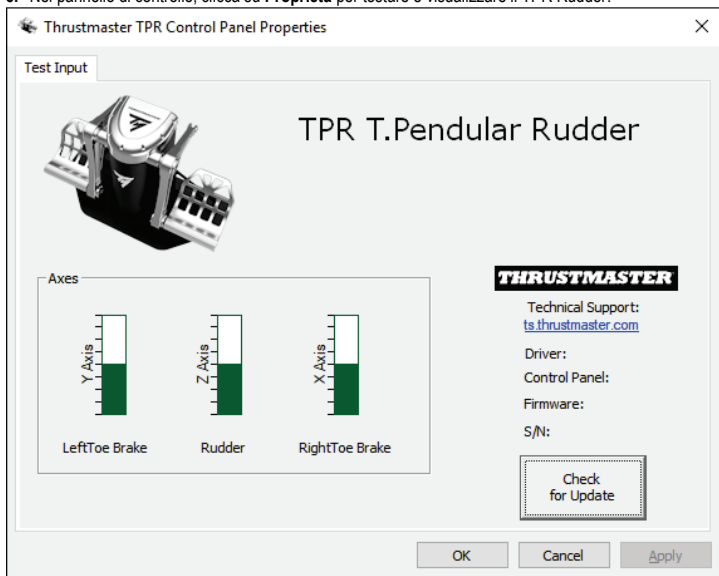
한국어

INSTALLAZIONE SU PC

1. Visita il sito <https://support.thrustmaster.com> per scaricare i driver per PC. Clicca su **Joystick / TPR Rudder**, quindi scegli **Drivers (Driver)**.
2. Una volta completato il download, avvia l'installazione e segui le istruzioni sullo schermo per collegare il connettore USB del TPR Rudder al tuo PC e completare l'installazione.
3. Una volta completata l'installazione, clicca su **Fine** e riavvia il tuo computer.
4. Seleziona **Start / Tutti i programmi / Thrustmaster / Thrustmaster Hotas Warthog – TPR Rudder / Pannello di controllo** per accedere alla finestra **Periferiche di gioco**.

Nella finestra **Periferiche di gioco** apparirà il nome **TPR T.Pendular Rudder** con associato lo stato di **OK**.

5. Nel pannello di controllo, clicca su **Proprietà** per testare e visualizzare il TPR Rudder:



Attenzione: i driver di installazione del TPR Rudder sono ora uniti al driver per il joystick Thrustmaster Hotas Warthog (pertanto, il pacchetto di installazione per entrambi gli accessori è identico).

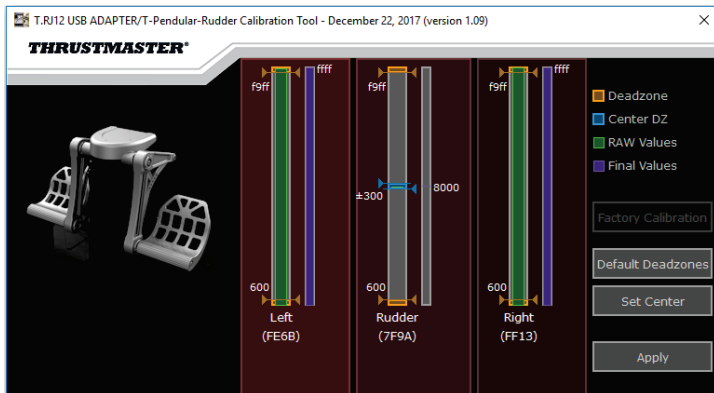
NOTE GENERALI PER PC

- Prima di avviare il tuo gioco, assicurati sempre di aver chiuso completamente la finestra **Periferiche di gioco** cliccando su **OK**.
- La versione del firmware del TPR Rudder appare in basso a destra nelle varie schede del pannello di controllo.
- Su PC, il TPR Rudder è compatibile:
 - in tutti i giochi che supportano i timoni e il multi-USB;
 - con tutti i joystick presenti sul mercato.

CALIBRAZIONE AVANZATA DEL SOFTWARE

Visita il sito <https://support.thrustmaster.com>. Clicca su **Joystick / TPR Rudder**, selezionando poi **Utilities (Utility)**. Scarica e installa il software di calibrazione avanzata, per:

- impostare, in base alle tue preferenze, le zone morte a inizio e fine corsa dell'asse del timone e dei due assi dei freni differenziali;
- impostare, in base alle tue preferenze, la zona morta al centro dell'asse del timone.



Una volta effettuate le regolazioni, queste verranno immediatamente salvate nella memoria interna del TPR Rudder.

SOFTWARE DI PROGRAMMAZIONE AVANZATA T.A.R.G.E.T. (Thrustmaster Advanced pRogramming Graphical EdiTor)

Visita il sito <https://support.thrustmaster.com>. Clicca su **Joystick / TPR Rudder**, quindi seleziona **Software (Software)**. Scarica e installa il software di programmazione avanzata T.A.R.G.E.T..

Caratteristiche principali di T.A.R.G.E.T.:

- Diverse configurazioni possibili per gli assi del timone e dei freni differenziali.
- Diversi livelli di programmazione possibili: Basic, Advanced e Script.
- Utilizzo del principio di Drag and Drop.
- Possibilità di abbinare il TPR Rudder a svariati joystick Thrustmaster (Hotas Cougar, Hotas Warthog, T.16000M, TWCS Throttle, MFD Cougar Pack, anch'essi compatibili con T.A.R.G.E.T.), garantendone il riconoscimento come singola periferica USB.
- Accesso a profili avanzati creati dalla community Thrustmaster.



AGGIORNAMENTO DEL FIRMWARE DEL TPR RUDDER

Il firmware integrato nel TPR Rudder è aggiornabile (ovvero, può essere aggiornato a versioni più recenti, che apportano migliorie al prodotto).

Per visualizzare e, se necessario, aggiornare la versione del firmware del tuo display TPR Rudder: su PC, visita il sito <https://support.thrustmaster.com>, clicca su **Joystick / TPR Rudder**, quindi scegli **Firmware (Firmware)** e segui le istruzioni fornite assieme alla procedura di download e installazione.

AVVISI E RISOLUZIONE DEI PROBLEMI

- **Il mio timone non funziona correttamente o sembra non essere ben calibrato.**
 - Spegni il tuo PC e scollega il connettore USB del timone. Dopodiché, ricollega il connettore USB, riaccendi il tuo PC e riavvia il tuo gioco.
- **Non riesco a configurare il mio timone.**
 - Nel menu Opzioni / Controller / Gamepad o Joystick del tuo gioco, seleziona la configurazione appropriata o riconfigura completamente le opzioni del controller.
 - Per ulteriori informazioni, fai riferimento al manuale d'uso o all'aiuto online del tuo gioco.
 - Utilizza il software di programmazione avanzata T.A.R.G.E.T. (Thrustmaster Advanced pRogramming Graphical EdiTor).
- **Il mio timone è troppo sensibile o troppo poco sensibile.**
 - Nel menu Opzioni / Controller / Gamepad o Joystick del tuo gioco, imposta la sensibilità e le zone morte per il tuo controller (qualora tali opzioni fossero disponibili).
 - Utilizza il software di calibrazione avanzata.
 - Utilizza il software di programmazione avanzata T.A.R.G.E.T. (Thrustmaster Advanced pRogramming Graphical EdiTor).

FILE DI AIUTO E CONSIGLI (non inclusi nel presente manuale)

Sul sito web <https://support.thrustmaster.com> sono disponibili svariati consigli e file di aiuto. Clicca su Joystick / TPR Rudder.

EN

FR

DE

NL

IT

ES

PT

BR

RU

EL

TR

PL

日本語

繁體中文

한국어

Informazioni sulla garanzia al consumatore

A livello mondiale, Guillemot Corporation S.A., avente sede legale in Place du Granier, B.P. 97143, 35571 Chantepie, Francia (d'ora in avanti "Guillemot") garantisce al consumatore che il presente prodotto Thrustmaster sarà privo di difetti relativi ai materiali e alla fabbricazione, per un periodo di garanzia corrispondente al limite temporale stabilito per la presentazione di un reclamo riguardante la conformità del prodotto in questione. Nei paesi della Comunità Europea, tale periodo equivale a due (2) anni a partire dalla consegna del prodotto Thrustmaster. In altri paesi, la durata della garanzia corrisponde al limite temporale stabilito per la presentazione di un reclamo riguardante la conformità del prodotto Thrustmaster in base alle leggi applicabili nel paese in cui il consumatore risiedeva alla data di acquisto del prodotto Thrustmaster (qualora nel paese in questione non esistesse alcuna norma a riguardo, il periodo di garanzia corrisponderà a un (1) anno a partire dalla data originale di acquisto del prodotto Thrustmaster).

Qualora, durante il periodo di garanzia, il prodotto dovesse apparire difettoso, contatti immediatamente l'Assistenza Tecnica, che le indicherà la procedura da seguire. Qualora il difetto dovesse essere confermato, il prodotto dovrà essere riportato al luogo di acquisto (o qualsiasi altro luogo indicato dall'Assistenza Tecnica).

Nel contesto della presente garanzia, il prodotto difettoso di proprietà del consumatore potrà essere sostituito o reso nuovamente funzionante, a discrezione dell'Assistenza Tecnica. Se, durante il periodo coperto dalla garanzia, il prodotto Thrustmaster fosse oggetto di tale rimessa in operatività, alla rimanente durata della garanzia dovrà essere aggiunto un periodo di almeno sette (7) giorni, durante il quale il prodotto risulta non utilizzabile (tale periodo intercorre dalla data della richiesta di intervento da parte del consumatore o dalla data in cui il prodotto in questione è reso disponibile per la rimessa in operatività, questo nel caso in cui tale data sia successiva alla data di richiesta di intervento). Qualora le leggi applicabili in materia lo consentano, la totale responsabilità di Guillemot e delle sue controllate (compresi i danni conseguenti) si limita alla rimessa in operatività o alla sostituzione del prodotto Thrustmaster. Qualora le leggi applicabili in materia lo consentano, Guillemot declina ogni garanzia sulla commerciabilità o la conformità a finalità particolari.

La presente garanzia non potrà essere applicata: (1) se il prodotto è stato modificato, aperto, alterato o ha subito danni derivanti da un uso inappropriato o non autorizzato, da negligenza, da un incidente, dalla semplice usura, o da qualsiasi altra causa non riconducibile a difetti nei materiali o nell'assemblaggio (compresi, ma non i soli, prodotti Thrustmaster combinati con elementi inadatti, tra cui, in particolare, batterie ricaricabili, caricatori o qualsiasi altro elemento non fornito da Guillemot per questo prodotto); (2) nel caso in cui il prodotto sia stato utilizzato per qualsiasi altro scopo al di fuori dell'uso domestico, comprese finalità professionali o commerciali (esempio: sale giochi, allenamenti, concorsi); (3) in caso di mancato rispetto delle istruzioni fornite dall'Assistenza Tecnica; (4) in caso di software, ovvero software soggetto a una specifica garanzia; (5) ai materiali di consumo (elementi che richiedono la loro sostituzione al termine della loro durata di esercizio come, ad esempio, batterie di tipo convenzionale o cuscinetti protettivi per auricolari o cuffie); (6) agli accessori (ad esempio, cavi, custodie, borsette, borse, cinturini); (7) se il prodotto è stato venduto ad un'asta pubblica.

La presente garanzia non è trasferibile.

I diritti legali del consumatore, stabiliti dalle leggi vigenti in materia di vendita di beni di consumo nel relativo paese, non vengono intaccati dalla presente garanzia.

Disposizioni addizionali sulla garanzia

Per tutta la durata della garanzia, in linea di principio, Guillemot non fornirà alcuna parte di ricambio, in quanto la sola Assistenza Tecnica è la parte autorizzata ad aprire e/o rimettere in funzionamento tutti i prodotti Thrustmaster (fatta eccezione per eventuali procedure di rimessa in operatività che l'Assistenza Tecnica potrebbe richiedere al consumatore, attraverso istruzioni scritte – viste, ad esempio, la semplicità e la mancanza di riservatezza della procedura di rimessa in operatività – e fornendo al consumatore le necessarie parti di ricambio, se ve ne fosse l'esigenza).

Considerando i propri cicli di innovazione e per proteggere il proprio know-how e i propri segreti commerciali, in linea di principio, Guillemot non fornirà alcuna notifica o parte di ricambio finalizzata alla rimessa in attività di un qualunque prodotto Thrustmaster il cui periodo di garanzia risultasse scaduto.

Responsabilità

Qualora le leggi applicabili in materia lo consentano, Guillemot Corporation S.A. (d'ora in avanti "Guillemot") e le sue controllate declinano ogni responsabilità per qualsiasi danno derivante da almeno una delle seguenti condizioni: (1) il prodotto è stato modificato, aperto o alterato; (2) mancato rispetto delle istruzioni di installazione; (3) uso inappropriato o non permesso, negligenza, incidente (come, ad esempio, un impatto); (4) semplice usura; (5) utilizzo del prodotto per qualsiasi altro scopo al di fuori dell'uso domestico, comprese finalità professionali o commerciali (esempio: sale giochi, allenamenti, concorsi). Qualora le leggi applicabili in materia lo consentano, Guillemot e le sue controllate declinano ogni responsabilità per qualsiasi danno non riconducibile a difetti nei materiali o nella fabbricazione del prodotto (compresi, ma non i soli, potenziali danni causati direttamente o indirettamente da un qualunque software, oppure dall'uso del prodotto Thrustmaster in combinazione con elementi inadatti, tra cui, in particolare, batterie ricaricabili, caricatori o qualsiasi altro elemento non fornito da Guillemot per questo prodotto).

THRUSTMASTER®

ASSISTENZA TECNICA

<http://support.thrustmaster.com>



COPYRIGHT

© 2018 Guillemot Corporation S.A. Tutti i diritti riservati. Thrustmaster® è un marchio registrato di proprietà di Guillemot Corporation S.A. Tutti gli altri marchi appartengono ai legittimi proprietari. Illustrazioni escluse. I contenuti, i design e le caratteristiche possono essere oggetto di modifiche senza preavviso e possono variare da un Paese all'altro. Fabbricato in Cina.

RACCOMANDAZIONI SULLA TUTELA DELL'AMBIENTE



* Nell'Unione Europea: Al termine della sua vita operativa, questo prodotto non dovrebbe essere gettato assieme ai comuni rifiuti, ma dovrebbe essere portato ad un apposito punto di raccolta destinato al riciclaggio del Materiale Elettrico ed Elettronico.

Ciò è confermato dal simbolo riportato sul prodotto, nel manuale d'uso o sulla confezione.

A seconda delle proprie caratteristiche, i materiali potrebbero essere riciclati.

Tramite il riciclaggio ed altre forme di trattamento del Materiale Elettrico ed Elettronico, è possibile fornire un importante contributo per la salvaguardia dell'ambiente.

Per conoscere i punti di raccolta più vicini a te, contatta le autorità locali competenti.

In tutti gli altri Paesi: per favore, rispetta le leggi locali sul riciclo dei materiali elettrici ed elettronici.

Informazioni da conservare. I colori e le decorazioni possono variare.

I ganci di plastica e gli adesivi dovrebbero essere rimossi dal prodotto prima che quest'ultimo venga utilizzato.

www.thrustmaster.com

**Valido solo in UE e Turchia*

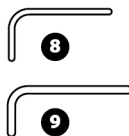
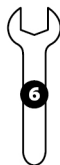
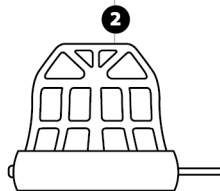
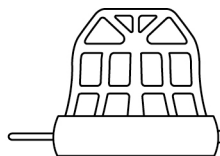
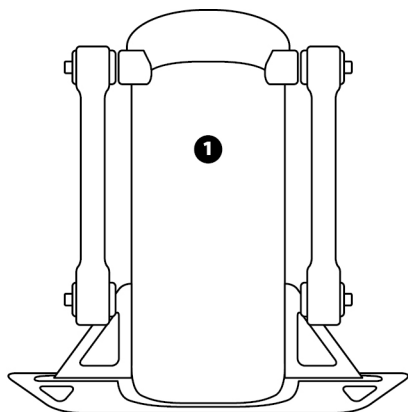


TPR

THRUSTMASTER PENDULAR RUDDER

PC

Manual del usuario



CARACTERÍSTICAS TÉCNICAS

- 1 Cuerpo del timón
- 2 Pedal (x2)
- 3 Tuerca (x2)
- 4 Arandela (x2)
- 5 Cable USB

- 6 Llave plana de 14 mm
- 7 Llave plana de 8 mm
- 8 Llave Allen de 2,5 mm
- 9 Llave Allen de 3 mm

AVISO

Antes de utilizar este producto, lee detenidamente este manual y consérvalo para consultarlo posteriormente.



Advertencias

- * Mantén el producto en un lugar seco y no lo expongas al polvo ni a la luz directa del sol.
- * Respeta las indicaciones de conexión.
- * No retuerzas ni tires de los conectores ni de los cables.
- * No derrames líquidos en el producto ni en su conector.
- * No cortocircuites el producto.
- * No desmontes el producto (aparte de los ajustes que se mencionan en este manual); no lo arrojes al fuego ni lo expongas a altas temperaturas.
- * No abras el dispositivo: en el interior no hay piezas que el usuario pueda arreglar. Las reparaciones las debe realizar el fabricante, su representante autorizado o un técnico cualificado.
- * Mantén el dispositivo fuera del alcance de los niños.
- * En los entornos propensos a descargas electrostáticas, el producto puede funcionar de manera anormal, encenderse solo o entrar en modo de error, y puede ser necesario reiniciarlo.



**Por razones de seguridad, no uses nunca el timón con los pies descalzos o únicamente con calcetines en los pies.
THRUSTMASTER® DECLINA CUALQUIER RESPONSABILIDAD EN CASO DE LESIONES PRODUCTO DEL USO DEL TIMÓN SIN CALZADO.**

PRODUCTO PESADO



El producto solo lo pueden manejar usuarios mayores de 16 años



¡Ten cuidado de no dejar caer el producto encima de ti o de otra persona!

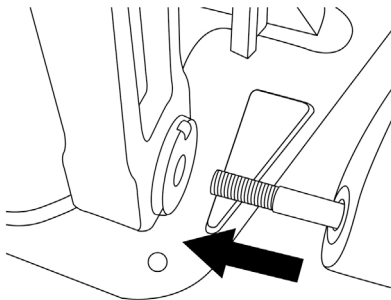
CÓMO FIJAR EL TIMÓN TPR RUDDER

Puedes usar las cuatro perforaciones situadas en las esquinas de la placa metálica del timón para fijar la unidad a un soporte estático.

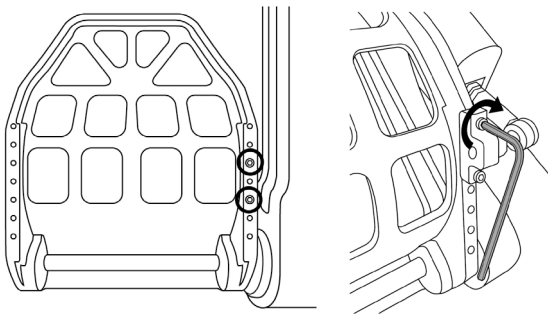
La plantilla de instalación para usar el timón TPR Rudder en cabinas está disponible en <https://support.thrustmaster.com>. Haz clic en **Joysticks / TPR Rudder** y luego selecciona **Template – Cockpit Setup (Plantilla – Configuración para cabina)**.

MONTAJE DEL PRODUCTO

1. Inserta el pedal (2) en el brazo del cuerpo del timón (1).



2. Afloja los dos tornillos de la parte trasera del pedal usando la llave Allen de 2,5 mm (8) y luego vuelve a apretarlos fijando el brazo del sensor.



EN

FR

DE

NL

IT

ES

PT

BR

RU

EL

TR

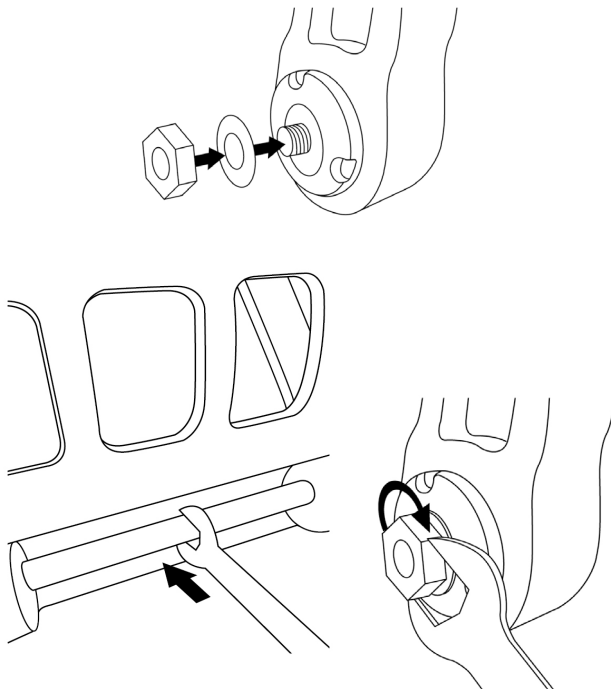
PL

日本語

繁體中文

한국어

3. Inserta una arandela (4) y una tuerca (3) en la parte superior y, a continuación, aprieta el ensamblado usando la llave plana de 14 mm (6) y la llave plana de 8 mm (7).

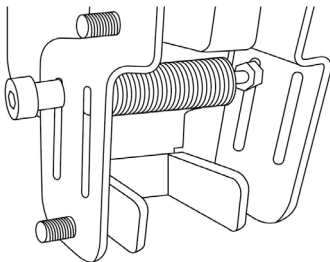


4. Repite los pasos 1 a 3 para el segundo pedal.

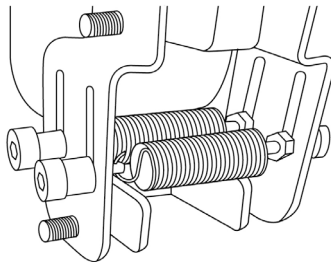
AJUSTE DE LA TENSIÓN DEL EJE DEL TIMÓN

Ajusta el número y la posición de los muelles de la parte trasera del producto.

- Resistencia mínima: 1 muelle en la posición alta
- Resistencia máxima: 2 muelles en la posición baja



Resistencia mínima



Resistencia máxima

En función de la posición seleccionada, la tensión estará entre 2,5 y 5 kg.

EN

FR

DE

NL

IT

ES

PT

BR

RU

EL

TR

PL

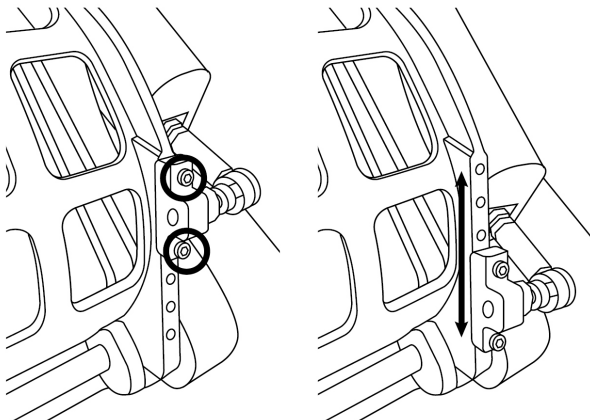
日本語

繁體中文

한국어

AJUSTE DE LA INCLINACIÓN DE LOS DOS PEDALES

Punto de ajuste número 1:

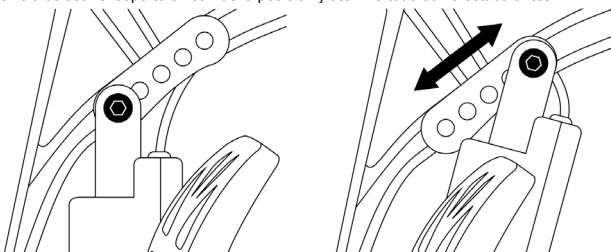


- Usando la llave Allen de 2,5 mm incluida (8), afloja los dos tornillos unidos a la cabeza metálica del pedal (2).
- Vuelve a colocar el soporte en su nueva posición y atornilla todo como estaba antes.

Número de posiciones posibles para este punto de ajuste: 5

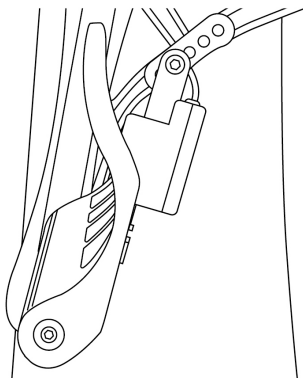
Punto de ajuste número 2:

- Usando la llave Allen de 3 mm incluida (9), afloja el tornillo que une el sensor al cuerpo (1).
- Vuelve a colocar el soporte en su nueva posición y atornilla todo como estaba antes.

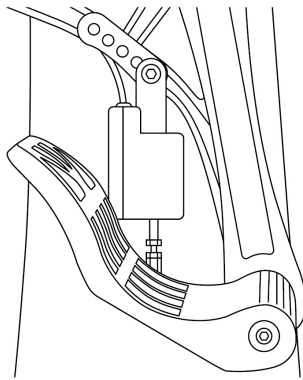


Número de posiciones posibles para este punto de ajuste: 5

Ejemplos:



Posición menos inclinada



Posición más inclinada

En función de las posiciones seleccionadas en los ajustes 1 y 2:

- El ángulo del pedal variará entre 35° y 75°.
- El rango de recorrido del pedal variará.

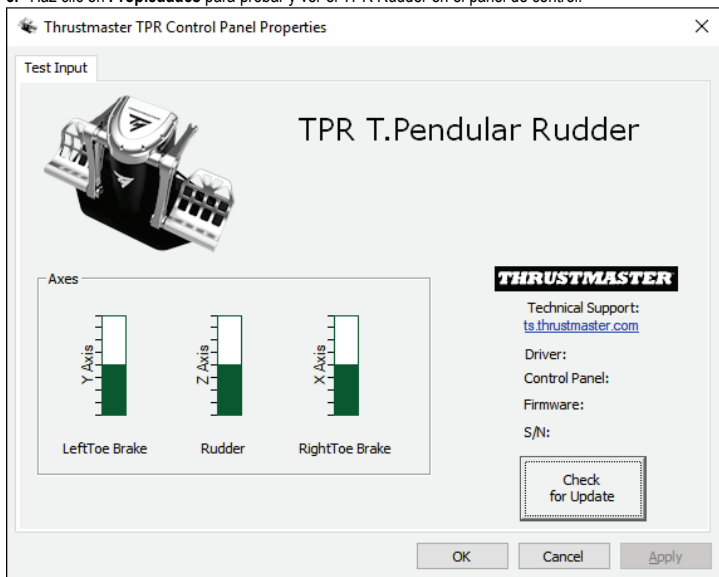
Nota: Para garantizar que el producto funcione correctamente, los tres tornillos descritos para los puntos de ajuste 1 y 2 deben estar puestos en cada pedal.

INSTALACIÓN EN PC

1. Visita <https://support.thrustmaster.com> para descargar los controladores para PC. Haz clic en **Joysticks / TPR Rudder**, y luego selecciona **Controladores**.
2. Una vez terminada la descarga, inicia la instalación y sigue las instrucciones en pantalla para conectar la clavija USB del timón TPR Rudder al PC y terminar la instalación.
3. Una vez completada la instalación, haz clic en **Terminar** y reinicia el ordenador.
4. Selecciona **Inicio / Todos los programas / Thrustmaster / Thrustmaster Hotas Warthog – TPR Rudder / Panel de control** para abrir la ventana **Dispositivos de juego**.

La ventana **Dispositivos de juego** muestra el nombre **TPR T.Pendular Rudder** con el estado **OK**.

5. Haz clic en **Propiedades** para probar y ver el TPR Rudder en el panel de control:



Nota: El controlador de instalación del timón TPR Rudder ya está unificado con el controlador del joystick Thrustmaster Hotas Warthog (por consiguiente el paquete de instalación de ambos accesorios es idéntico).

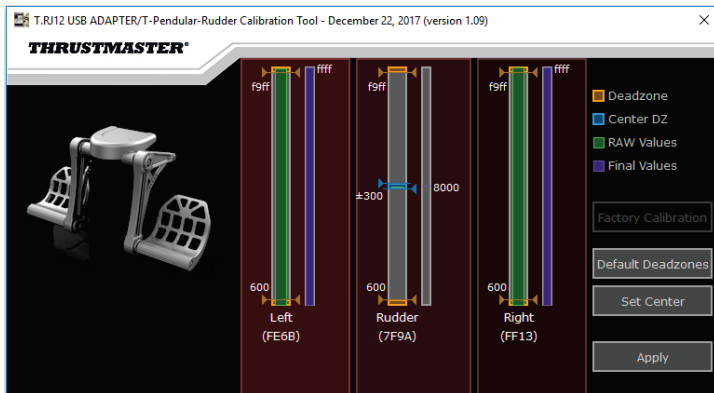
NOTAS GENERALES EN PC

- Asegúrate de cerrar siempre completamente la ventana **Dispositivos de juego** haciendo clic en **Aceptar** antes de iniciar un juego.
- La versión del firmware del TPR Rudder aparece en la parte inferior derecha de las pestañas del panel de control.
- En PC, el TPR Rudder es compatible:
 - con todos los juegos que admiten multi-USB y timones;
 - con todos los joysticks del mercado.

SOFTWARE DE CALIBRACIÓN AVANZADA

Visita <https://support.thrustmaster.com>. Haz clic en **Joysticks / TPR Rudder**, y luego selecciona **Utilidades**. Descarga e instala el software de calibración avanzada para:

- Ajustar a tu gusto las zonas muertas al principio y al final del rango de recorrido del eje del timón, y en los 2 ejes de los frenos diferenciales.
- Ajustar a tu gusto la zona muerta central del eje del timón.



Una vez hechos los ajustes, se guardarán inmediatamente en la memoria interna del TPR Rudder.

SOFTWARE DE PROGRAMACIÓN AVANZADA T.A.R.G.E.T. (Thrustmaster Advanced pRogramming Graphical EdiTor)

Visita <https://support.thrustmaster.com>. Haz clic en **Joysticks / TPR Rudder**, y luego selecciona **Software**. Descarga e instala el software de programación avanzada T.A.R.G.E.T.

Características principales de T.A.R.G.E.T.:

- Distintas configuraciones posibles para los ejes del timón y de los frenos diferenciales.
- Distintos niveles de programación posibles: Basic, Advanced y Script.
- Utiliza el principio de Arrastrar y Soltar.
- Capacidad de combinar el TPR Rudder con otros joysticks de Thrustmaster (Hotas Cougar, Hotas Warthog, T.16000M, TWCS Throttle, MFD Cougar Pack, todos los cuales también son compatibles con T.A.R.G.E.T.), de modo que se reconocen como un único dispositivo USB.
- Acceso a perfiles avanzados creados por la comunidad de Thrustmaster.



ACTUALIZACIÓN DEL FIRMWARE DEL TPR RUDDER

El firmware incluido en el TPR Rudder se puede actualizar (es decir, se puede renovar con versiones más recientes que incluyen mejoras del producto).

Para mostrar la versión del firmware del TPR Rudder y actualizarla, de ser necesario: en PC, visita <https://support.thrustmaster.com>, haz clic en **Joysticks / TPR Rudder**, selecciona **Firmware** y sigue las instrucciones que te guían por el procedimiento de descarga e instalación.

RESOLUCIÓN DE PROBLEMAS Y ADVERTENCIAS

- **Mi timón no funciona correctamente o parece no estar bien calibrado.**
 - Apaga el PC y desconecta la clavija USB del timón. A continuación vuelve a conectar la clavija USB, enciende el PC de nuevo y reinicia el juego.
- **No puedo configurar el timón.**
 - En el menú Opciones / Mando / Gamepad o Joystick del juego, selecciona la configuración apropiada o vuelve a configurar por completo las opciones del mando.
 - Para más información, consulta el manual del usuario o la ayuda en línea del juego.
 - Usa el software de programación avanzada T.A.R.G.E.T. (Thrustmaster Advanced pRogramming Graphical EdiTor).
- **Mi timón es demasiado sensible o no lo bastante sensible.**
 - En el menú Opciones / Mando / Gamepad o Joystick del juego, ajusta la sensibilidad y las zonas muertas del mando (si esas opciones están disponibles).
 - Usa el software de calibración avanzada.
 - Usa el software de programación avanzada T.A.R.G.E.T. (Thrustmaster Advanced pRogramming Graphical EdiTor).

ARCHIVOS DE AYUDA Y CONSEJOS (no incluidos en este manual)

En el sitio web <https://support.thrustmaster.com> dispones de varios archivos de ayuda y consejos. Haz clic en **Joysticks / TPR Rudder**.

EN

FR

DE

NL

IT

ES

PT

BR

RU

EL

TR

PL

日本語

繁體中文

한국어

INFORMACIÓN DE GARANTÍA AL CONSUMIDOR

En todo el mundo, Guillemot Corporation S.A., cuyo domicilio legal se encuentra en Place du Granier, B.P. 97143, 35571 Chantepie, Francia (en lo sucesivo "Guillemot") garantiza al consumidor que este producto de Thrustmaster estará libre de defectos de materiales y mano de obra, durante un período de garantía que corresponde al límite de tiempo para interponer una acción legal referida a la conformidad en relación con este producto. En los países de la Unión Europea, esto corresponde a un período de dos (2) años a partir de la entrega del producto de Thrustmaster. En otros países, el período de garantía corresponde al límite de tiempo para interponer una acción legal referida a la conformidad en relación con este producto de Thrustmaster según las leyes aplicables del país en el que el consumidor estuviese domiciliado en la fecha de compra del producto de Thrustmaster (si no existiese una acción similar en el país correspondiente, entonces el período de garantía será de un (1) año a partir de la fecha de compra original del producto de Thrustmaster).

Si el producto resultase defectuoso durante el período de garantía, hay que ponerse en contacto inmediatamente con el Soporte Técnico, que indicará el procedimiento a seguir. Si se confirma el defecto, el producto debe devolverse a su lugar de compra (o a cualquier otra ubicación indicada por el Soporte Técnico).

Dentro del contexto de esta garantía, el producto defectuoso del consumidor será sustituido o restaurado su funcionamiento correcto. Si, durante el período de garantía, el producto de Thrustmaster fuese sometido a dicho reacondicionamiento, cualquier período de cómo mínimo siete (7) días durante el que el producto no se pueda usar se añadirá al período de garantía restante (este período va desde la fecha de petición de intervención del consumidor o desde la fecha en la que el producto se entrega para el reacondicionamiento, si la fecha en la que el producto se entrega para el reacondicionamiento fuese posterior a la fecha de la petición de intervención). Si la ley aplicable lo permite, toda la responsabilidad de Guillemot y sus filiales (incluso por daños resultantes) se limita a la restauración del funcionamiento correcto o la sustitución del producto de Thrustmaster. Si la ley aplicable lo permite, Guillemot renuncia a todas las garantías de comerciabilidad o adecuación para un propósito determinado.

Esta garantía no se aplicará: (1) si el producto ha sido modificado, abierto, alterado o ha sufrido daños como resultado de un uso inapropiado o abuso, negligencia, accidente, desgaste normal, o cualquier otra causa no relacionada con un defecto de materiales o fabricación (incluyendo, pero no de forma exclusiva, la combinación del producto de Thrustmaster con cualquier elemento no adecuado, incluyendo en particular fuentes de alimentación, baterías recargables, cargadores o cualquier otro elemento no suministrado por Guillemot para este producto); (2) si el producto se ha empleado para otro uso distinto del doméstico, incluyendo fines profesionales o comerciales (salones de juego, entrenamiento, competiciones, por ejemplo); (3) en caso de incumplimiento de las instrucciones proporcionadas por el Soporte Técnico; (4) a software, es decir software sujeto a una garantía específica; (5) a consumibles (elementos que se tienen que reemplazar a lo largo de la vida del producto: por ejemplo, baterías desechables o almohadillas para auriculares de audio); (6) a accesorios (por ejemplo, cables, cajas, bolsas, bolsos o muñequeras); (7) si el producto se ha vendido en una subasta pública.

Esta garantía no es transferible.

Los derechos legales del consumidor en relación con las leyes aplicables a la venta de productos de consumo de su país no se ven afectados por esta garantía.

Provisiones de garantía adicionales

Durante el período de garantía, Guillemot no proporcionará, en principio, ninguna pieza de repuesto, ya que el Soporte Técnico es el único autorizado para abrir y/o reacondicionar los productos de Thrustmaster (con la excepción de los procedimientos de reacondicionamiento que el Soporte técnico puede solicitar que lleve a cabo el consumidor, mediante instrucciones por escrito – por ejemplo, debido a la simplicidad y la falta de confidencialidad del proceso de reacondicionamiento – y suministrando al consumidor las piezas de repuesto necesarias, si hiciere falta).

Debido a sus ciclos de innovación y para proteger su know-how y secretos comerciales, Guillemot no proporcionará, en principio, ninguna pieza de repuesto ni instrucciones de reacondicionamiento para los productos de Thrustmaster cuyo período de garantía haya vencido.

En los Estados Unidos de América y en Canadá, esta garantía está limitada al mecanismo interno del producto y al alojamiento externo. En ningún caso, Guillemot ni sus filiales serán responsables ante terceros por daños resultantes o fortuitos resultado del incumplimiento de cualquier garantía expresa o implícita. En algunos estados o provincias no se permite la limitación de la duración de una garantía implícita ni la exclusión o limitación de responsabilidad por daños resultantes o fortuitos, por lo que las limitaciones o exclusiones anteriores pueden no ser aplicables. Esta garantía ofrece derechos legales específicos al consumidor, que también puede tener otros derechos que pueden variar de un estado a otro o de una provincia a otra.

Responsabilidad

Si la ley aplicable lo permite, Guillemot Corporation S.A. (en lo sucesivo "Guillemot") y sus filiales renuncian a toda responsabilidad por los daños causados por uno o más de los siguientes motivos: (1) el producto ha sido modificado, abierto o alterado; (2) incumplimiento de las instrucciones de montaje; (3) uso inapropiado o abuso, negligencia, accidente (un impacto, por ejemplo); (4) desgaste normal; (5) el producto se ha empleado para otro uso distinto del doméstico, incluyendo fines profesionales o comerciales (salones de juego, entrenamiento, competiciones, por ejemplo). Si la ley aplicable lo permite, Guillemot y sus filiales renuncian a toda responsabilidad por los daños no relacionados con defectos de materiales o fabricación en relación con el producto (incluyendo, pero no de forma exclusiva, los daños causados de forma directa o indirecta por cualquier software, o por combinar el producto de Thrustmaster con cualquier elemento no adecuado, incluyendo en particular fuentes de alimentación, baterías recargables, cargadores o cualquier otro elemento no suministrado por Guillemot para este producto).

THRUSTMASTER®

SOPORTE TÉCNICO

<http://support.thrustmaster.com>



DECLARACIÓN DE CONFORMIDAD

NOTICIA DE CONFORMIDAD EN USA: este dispositivo cumple con los límites para dispositivos de computación de Clase B de acuerdo con la Parte 15 de las reglas FCC.

COPYRIGHT

© 2018 Guillemot Corporation S.A. Todos los derechos reservados. Thrustmaster® es una marca registrada de Guillemot Corporation S.A. Todas las demás marcas son propiedad de sus respectivos dueños. Ilustraciones no definitivas. El contenido, la concepción y las especificaciones son susceptibles de cambiar sin previo aviso y varían según el país. Fabricado en China.

RECOMENDACIÓN DE PROTECCIÓN AMBIENTAL



* En la Unión Europea: Al terminar su vida útil, este producto no debe tirarse en un contenedor de basuras estándar, sino que debe dejarse en un punto de recogida de desechos eléctricos y equipamiento electrónico para ser reciclado.

Esto viene confirmado por el símbolo que se encuentra en el producto, manual del usuario o embalaje.

Dependiendo de sus características, los materiales pueden reciclarse. Mediante el reciclaje y otras formas de procesamiento de los desechos eléctricos y el equipamiento electrónico puedes contribuir de forma significativa a ayudar a proteger el medio ambiente.

Contacta con las autoridades locales para más información sobre el punto de recogida más cercano. Para los demás países: cumple las leyes locales sobre reciclaje de equipos eléctricos y electrónicos.

Esta información debe conservarse. Los colores y motivos decorativos pueden variar. Los adhesivos y los cierres de plástico se deben quitar del producto antes de utilizarlo.

www.thrustmaster.com

**Aplicable únicamente a la UE y Turquía*

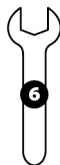
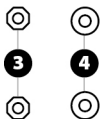
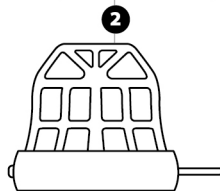
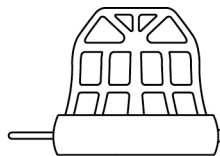
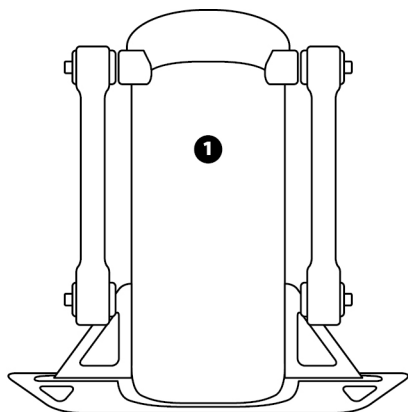


TPR

THRUSTMASTER PENDULAR RUDDER

PC

Manual do Utilizador



CARACTERÍSTICAS TÉCNICAS

- 1 Corpo do leme de direção
- 2 Pedal (x 2)
- 3 Porca (x 2)
- 4 Anilha (x 2)
- 5 Cabo USB

- 6 Chave de porcas plana de 14 mm
- 7 Chave de porcas plana de 8 mm
- 8 Chave sextavada de 2,5 mm
- 9 Chave sextavada de 3 mm

AVISO

Antes de utilizar este produto, leia atentamente este manual e guarde-o para posterior consulta.



Avisos

- * Guarde o produto num local seco e não o exponha ao pó nem à luz do sol.
- * Respeite as direções de ligação.
- * Não torça nem puxe os conectores e os cabos.
- * Não derrame líquidos sobre o produto ou o respetivo conector.
- * Não provoque um curto-circuito no produto.
- * Nunca desmonte o produto (exceto para quaisquer ajustes que possam ser mencionados neste manual); não o atire para o fogo nem o exponha a temperaturas elevadas.
- * Não abra o dispositivo: não contém peças reparáveis pelo utilizador no interior. Todas as reparações devem ser realizadas pelo fabricante, pelo seu representante autorizado ou por um técnico qualificado.
- * Mantenha o dispositivo fora do alcance das crianças.
- * Num ambiente propenso a descargas eletrostáticas, o produto poderá funcionar de forma anormal, desligar-se e/ou entrar no modo de erro, fazendo com que seja necessário reiniciá-lo.



Por razões de segurança, nunca utilize o leme de direção com os pés descalços ou apenas com meias calçadas nos pés.

A THRUSTMASTER® NÃO ASSUME QUALQUER RESPONSABILIDADE NA EVENTUALIDADE DE DANOS FÍSICOS RESULTANTES DA UTILIZAÇÃO DO LEME DE DIREÇÃO SEM CALÇADO.

PRODUTO PESADO



Produto para manipular unicamente por utilizadores com 16 anos de idade ou mais velhos



Tenha cuidado para não deixar cair o produto em cima de si ou de outra pessoa!

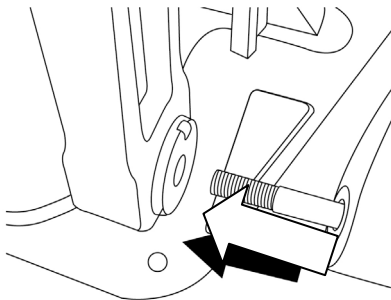
FIXAR O TPR RUDDER

Pode utilizar as quatro perfurações situadas nos cantos da chapa de metal do leme de direção para fixar a unidade num suporte estacionário.

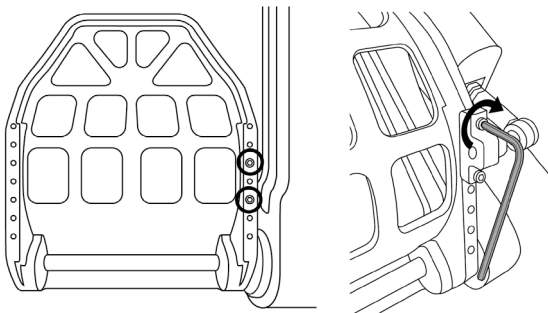
O modelo de instalação do TPR Rudder para a utilização em cockpits está disponível em <https://support.thrustmaster.com>. Clique em **Joysticks / TPR Rudder** e selecione **Template – Cockpit Setup** (Modelo – Configuração de cockpit).

MONTAR O PRODUTO

1. Insira o pedal (2) no braço do corpo (1).



2. Desaperte os dois parafusos na parte posterior do pedal utilizando a chave sextavada de 2,5 mm (8) e em seguida volte a apertá-los, para fixar o braço do sensor.



EN

FR

DE

NL

IT

ES

PT

BR

RU

EL

TR

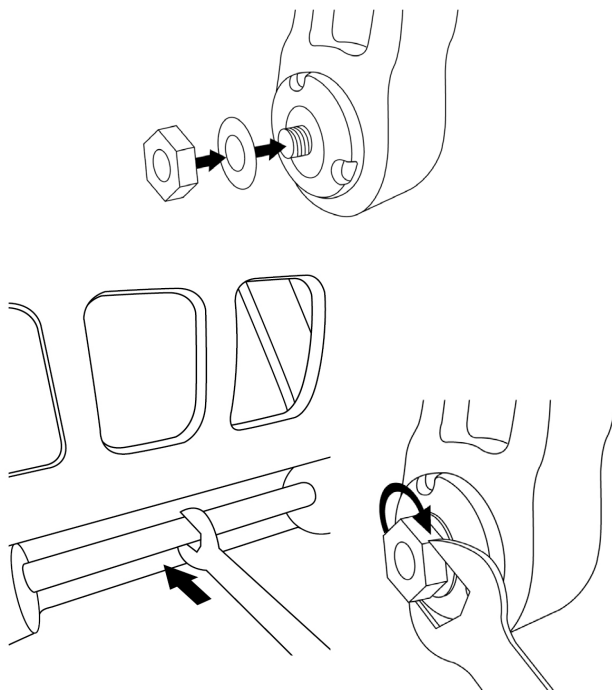
PL

日本語

繁體中文

한국어

3. Insira uma anilha (4) e uma porca (3) na parte superior e em seguida aperte o conjunto utilizando a chave de porcas plana de 14 mm (6) e a chave de porcas plana de 8 mm (7).

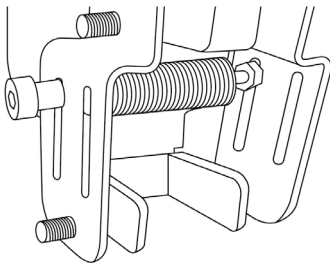


4. Repita os passos 1 a 3 para o segundo pedal.

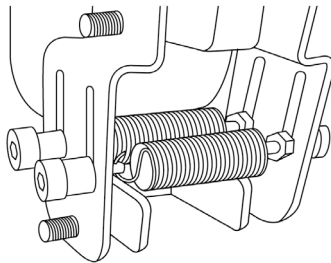
AJUSTAR A TENSÃO DOS EIXOS DO LEME DE DIREÇÃO

Ajuste o número e a posição das molas na parte posterior do produto.

- Resistência mínima: 1 mola na posição alta
- Resistência máxima: 2 molas na posição baixa



Resistência mínima



Resistência máxima

Consoante a posição selecionada, a tensão será de 2,5 kg a 5 kg.

EN

FR

DE

NL

IT

ES

PT

BR

RU

EL

TR

PL

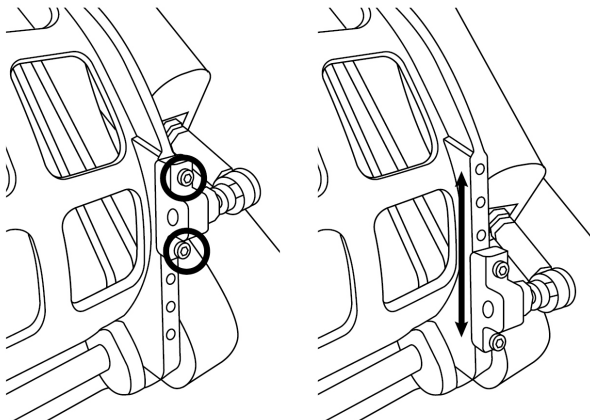
日本語

繁體中文

한국어

AJUSTAR A INCLINAÇÃO DOS DOIS PEDAIS

Ponto de ajuste n.º 1:

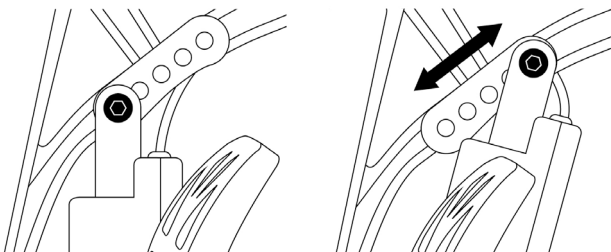


- Utilizando a chave sextavada de 2,5 mm (8), desaperte os dois parafusos fixados à cabeça de metal do pedal (2).
- Reposicione o suporte na nova posição e volte a apertar tudo.

Número de posições possíveis para este ponto de ajuste: 5

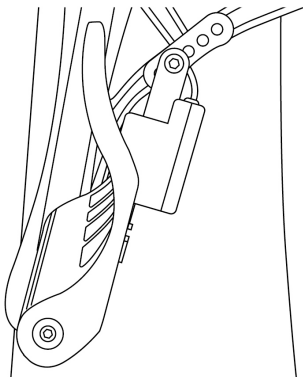
Ponto de ajuste n.º 2:

- Utilizando a chave sextavada de 3 mm (9), desaperte o parafuso que fixa o sensor ao corpo (1).
- Reposicione o suporte na nova posição e volte a apertar tudo.

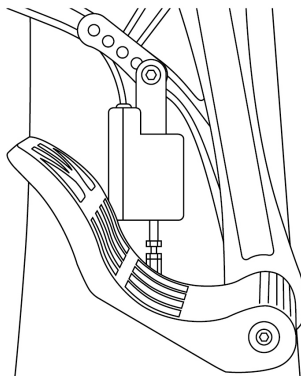


Número de posições possíveis para este ponto de ajuste: 5

Exemplos:



Posição menos inclinada



Posição mais inclinada

Consoante as posições selecionadas nos ajustes 1 e 2:

- O ângulo do pedal irá variar entre 35° e 75°.
- O curso do pedal irá variar.

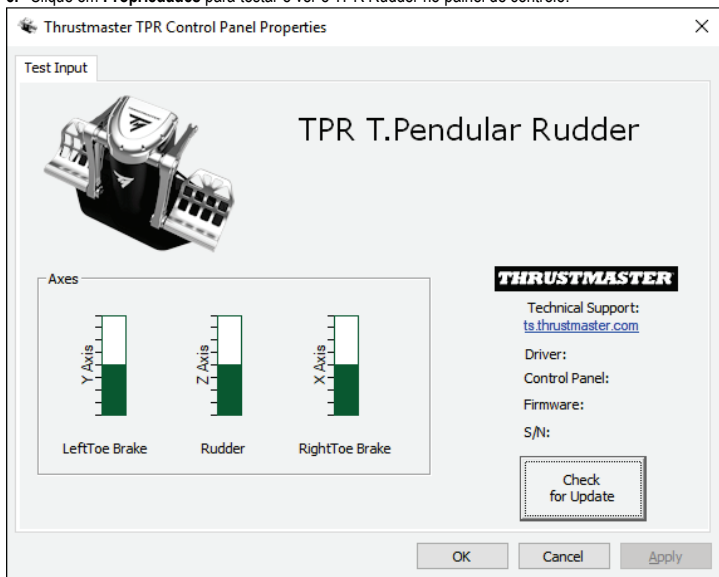
Nota: de modo a garantir que o produto funciona corretamente, os três parafusos descritos para os pontos de ajuste 1 e 2 devem ser fixados a cada pedal.

INSTALAÇÃO NO PC

1. Vá até <https://support.thrustmaster.com> para transferir os controladores para PC. Clique em **Joysticks / TPR Rudder** e selecione **Controladores**.
2. Quando a transferência estiver concluída, inicie a instalação e siga as instruções apresentadas no ecrã para ligar o conector USB do TPR Rudder ao PC e concluir a instalação.
3. Quando a instalação terminar, clique em **Concluir** e reinicie o computador.
4. Selecione **Iniciar / Todos os Programas / Thrustmaster / Thrustmaster Hotas Warthog – TPR Rudder / Painel de Controlo** para abrir a janela **Controladores de jogos**.

A janela **Controladores de jogos** mostra o nome **TPR T.Pendular Rudder** com o estado **OK**.

5. Clique em **Propriedades** para testar e ver o TPR Rudder no painel de controlo:



Nota: o controlador de instalação do TPR Rudder encontra-se agora unificado com o controlador do joystick Thrustmaster Hotas Warthog (como tal, o pacote de instalação de ambos os acessórios é idêntico).

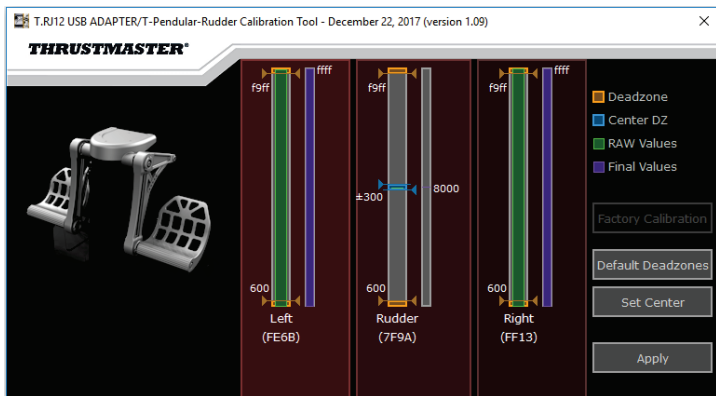
NOTAS GERAIS PARA O PC

- Antes de iniciar o jogo, deve fechar sempre a janela **Controladores de jogos** clicando em **OK**.
- A versão do firmware do TPR Rudder é indicada no canto inferior direito dos separadores do painel de controlo.
- No PC, o TPR Rudder é compatível:
 - Com todos os jogos que suportam multi-USB e lemes de direções;
 - Com todos os joysticks disponíveis no mercado.

SOFTWARE DE CALIBRAGEM AVANÇADA

Vá até <https://support.thrustmaster.com>. Clique em **Joysticks / TPR Rudder** e selecione **Utilitários**. Transfira e instale o software de calibragem avançada, para:

- Ajustar ao seu gosto as zonas mortas no início e no fim do curso nos eixos do leme de direção e nos 2 eixos dos travões diferenciais;
- Ajustar ao seu gosto a zona morta central dos eixos do leme de direção.



Quando tiver concluído os ajustes, estes serão guardados imediatamente na memória interna do TPR Rudder.

SOFTWARE DE PROGRAMAÇÃO AVANÇADA T.A.R.G.E.T. (Thrustmaster Advanced pROgramming Graphical EdiTor)

Vá até <https://support.thrustmaster.com>. Clique em **Joysticks / TPR Rudder** e selecione **Software**. Transfira e instale o software de programação avançada T.A.R.G.E.T..

Principais funcionalidades do T.A.R.G.E.T.:

- Diferentes configurações possíveis dos eixos do leme de direção e dos travões diferenciais.
- Diferentes níveis de programação possíveis: Basic, Advanced e Script.
- Utilização do princípio de arrastar e largar.
- Capacidade de combinar o TPR Rudder com vários joysticks Thrustmaster (Hotas Cougar, Hotas Warthog, T.16000M, TWCS Throttle, MFD Cougar Pack, os quais também são todos compatíveis com o software T.A.R.G.E.T.), o que permite reconhecê-los como um único dispositivo USB.
- Acesso a perfis avançados criados pela comunidade Thrustmaster.



ATUALIZAR O FIRMWARE DO TPR RUDDER

O firmware incluído com o TPR Rudder pode ser atualizado (ou seja, pode ser atualizado com versões mais recentes que incluem melhoramentos do produto).

Para visualizar a versão do firmware do seu TPR Rudder e atualizá-lo, se necessário: no PC, vá até <https://support.thrustmaster.com>, clique em **Joysticks / TPR Rudder**, selecione **Firmware** e siga as instruções, juntamente com o procedimento de transferência e instalação.

RESOLUÇÃO DE PROBLEMAS E AVISO

- **O meu leme de direção não funciona correctamente ou parece estar mal calibrado.**
 - Encerre o PC e desligue o conector USB do leme de direção. Em seguida, volte a ligar o conector USB, ligue novamente o PC e reinicie o jogo.
- **Não consigo configurar o meu leme de direção.**
 - - No menu "Options / Controller / Gamepad or Joystick" do jogo, selecione a configuração adequada ou reconfigure completamente as opções do controlador.
 - - Para mais informações, consulte o manual do utilizador do jogo ou a ajuda online.
 - Utilize o software de programação avançada T.A.R.G.E.T. (Thrustmaster Advanced pRogramming Graphical EdiTor).
- **O meu leme de direção é demasiado sensível ou não é suficientemente sensível.**
 - No menu "Options / Controller / Gamepad or Joystick" do jogo, ajuste a sensibilidade e as zonas mortas do controlador (caso estas opções estejam disponíveis).
 - Utilize o software de calibragem avançada.
 - Utilize o software de programação avançada T.A.R.G.E.T. (Thrustmaster Advanced pRogramming Graphical EdiTor).

FICHEIROS DE AJUDA E SUGESTÕES (não incluídos neste manual)

Vários ficheiros de ajuda e sugestões estão disponíveis no sítio Web <https://support.thrustmaster.com>. Clique em **Joysticks / TPR Rudder**.

EN

FR

DE

NL

IT

ES

PT

BR

RU

EL

TR

PL

日本語

繁體中文

한국어

INFORMAÇÕES SOBRE A GARANTIA PARA O CONSUMIDOR

A Guillemot Corporation S.A., com sede social sita em Place du Granier, B.P. 97143, 35571 Chantepele, França (a seguir designada como "Guillemot") garante a nível mundial ao consumidor que este produto Thrustmaster está livre de defeitos em termos de materiais e fabrico durante um período de garantia que corresponde ao limite de tempo para intentar uma ação de conformidade relativamente a este produto. Nos países da União Europeia, isto corresponde a um período de dois (2) anos desde a entrega do produto Thrustmaster. Noutros países, o período de garantia corresponde ao limite de tempo para intentar uma ação de conformidade relativamente ao produto Thrustmaster de acordo com a legislação em vigor do país no qual o consumidor residia à data de compra do produto Thrustmaster (se a dita ação não existir no país correspondente, então o período de garantia será de um (1) ano a partir da data de compra original do produto Thrustmaster.

No caso de o produto apresentar algum defeito durante o período da garantia, contacte imediatamente o Suporte Técnico, que lhe indicará o procedimento a tomar. Se esse defeito se confirmar, o produto terá de ser devolvido ao respetivo local de compra (ou qualquer outro local indicado pelo Suporte Técnico).

No âmbito da presente garantia, e por opção do Suporte Técnico, o produto defeituoso do consumidor será substituído ou reparado. Se, durante o período da garantia, o produto Thrustmaster for submetido à dita reparação, qualquer período mínimo de (7) dias durante o qual o produto estiver fora de serviço será adicionado ao período da garantia restante (este período decorre desde a data do pedido intervenção pelo consumidor ou desde a data em que o produto em questão é disponibilizado para reparação, se a data em que o produto é disponibilizado para reparação for posterior à data do pedido de intervenção). Se for permitido pela legislação em vigor, a responsabilidade total da Guillemot e das respetivas filiais (incluindo para danos indiretos) está limitada à reparação ou à substituição do produto Thrustmaster. Se for permitido pela legislação em vigor, a Guillemot rejeita todas as garantias de comercialização ou adequação a um fim específico.

A presente garantia não se aplicará: (1) se o produto tiver sido modificado, aberto, alterado ou danificado em resultado de utilização inadequada ou abusiva, negligência, acidente, desgaste normal ou qualquer outra causa relacionada com um defeito de material ou fabrico (incluindo, mas sem limitação, combinar o produto Thrustmaster com qualquer elemento inadequado, incluindo, em particular, fontes de alimentação, baterias recarregáveis, carregadores ou quaisquer outros elementos não fornecidos pela Guillemot para este produto); (2) se o produto tiver sido utilizado fora do âmbito da utilização doméstica, incluindo para fins profissionais ou comerciais (salas de jogos, treino e competições, por exemplo); (3) na eventualidade de incumprimento das instruções fornecidas pelo Suporte Técnico; (4) a software, estando o mesmo sujeito a uma garantia específica; (5) a consumíveis (elementos para substituir ao longo da vida útil do produto: baterias descartáveis, auscultadores de áudio ou auriculares de auscultadores, por exemplo); (6) a acessórios (cabos, estojos, bolsas, sacos e correias de pulso, por exemplo); (7) se o produto foi vendido num leilão público.

A presente garantia não é transmissível.

Os direitos legais do consumidor no que concerne à legislação aplicável à venda de bens de consumo no seu país não são afetados pela presente garantia.

Disposições de garantia adicionais

Durante o período da garantia, a Guillemot não fornecerá, em princípio, quaisquer peças de substituição, uma vez que o Suporte Técnico é a única parte autorizada a abrir e/ou reparar qualquer produto Thrustmaster (à exceção de quaisquer procedimentos de reparação que o Suporte Técnico possa pedir ao consumidor para realizar, através de instruções por escrito – por exemplo, devido à simplicidade e à falta de confidencialidade do processo de reparação – e fornecendo ao consumidor a(s) peça(s) de substituição necessária(s), quando aplicável).

Tendo em conta os seus ciclos de inovação, e a fim de proteger o seu know-how e segredos comerciais, a Guillemot não fornecerá, em princípio, qualquer notificação de reparação ou peças de substituição para produtos Thrustmaster cujo período da garantia tenha expirado.

Responsabilidade

Se for permitido ao abrigo da legislação aplicável, a Guillemot Corporation S.A. (a seguir designada "Guillemot") e as respetivas filiais rejeitam qualquer responsabilidade por danos resultantes de uma ou mais das seguintes causas: (1) o produto foi modificado, aberto ou alterado; (2) incumprimento das instruções de montagem; (3) utilização inadequada ou abusiva, negligência ou acidente (um impacto, por exemplo); (4) desgaste normal; (5) utilização do produto fora do âmbito além da utilização doméstica, incluindo para fins profissionais ou comerciais (salas de jogos, treino e competições, por exemplo). Se for permitido ao abrigo da legislação aplicável, a Guillemot e as respetivas filiais rejeitam qualquer responsabilidade por danos relacionados com um defeito de material ou fabrico relativamente ao produto (incluindo, mas sem limitação, quaisquer danos causados direta ou indiretamente por qualquer software ou por combinar o produto Thrustmaster com qualquer elemento inadequado, incluindo, em particular, fontes de alimentação, baterias recarregáveis, carregadores ou quaisquer outros elementos não fornecidos pela Guillemot para este produto).

THRUSTMASTER®

SUPOORTE TÉCNICO

<http://support.thrustmaster.com>



DIREITOS DE AUTOR

© 2018 Guillemot Corporation S.A. Todos os direitos reservados. Thrustmaster® é uma marca registada da Guillemot Corporation S.A. Todas as outras marcas comerciais são pertencem aos respectivos proprietários. As ilustrações não são vinculativas. Os conteúdos, desenhos e especificações estão sujeitos a alteração sem aviso prévio e podem variar de país para país. Fabricado na China.

RECOMENDAÇÕES DE PROTECÇÃO AMBIENTAL



Na União Europeia: Quando este produto chegar ao fim da sua vida útil, não o elimine juntamente com os resíduos domésticos normais; em vez disso, deixe-o num ponto de recolha de resíduos de equipamento eléctrico e electrónico (REEE) para posterior reciclagem.

O símbolo presente no produto, no manual de utilizador ou na caixa confirma-o.

Os materiais podem ser reciclados, dependendo das suas características. Através da reciclagem e de outras formas de processamento de resíduos de equipamento eléctrico e electrónico, pode dar um importante contributo no sentido de ajudar a proteger o ambiente.

Contacte as autoridades locais para saber onde fica o ponto de recolha mais perto da sua área de residência.

Relativamente a todos os outros países: Respeite a legislação local sobre a reciclagem de equipamento eléctrico e electrónico.

Informações a reter. As cores e as decorações podem variar.

Os fechos e os adesivos devem ser removidos do produto antes da utilização.

www.thrustmaster.com

**Aplicável apenas à União Europeia e Turquia*

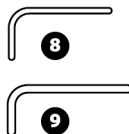
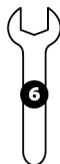
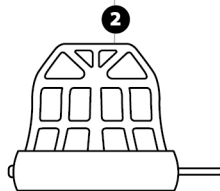
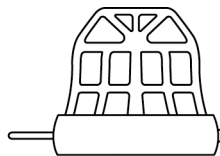
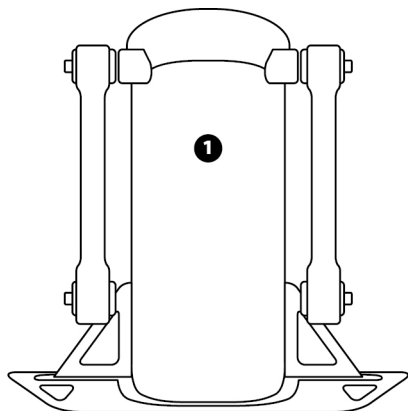


TPR

THRUSTMASTER PENDULAR RUDDER

PC

Manual do Usuário



CARACTERÍSTICAS TÉCNICAS

- 1 Corpo do leme
- 2 Pedal (x2)
- 3 Porca (x2)
- 4 Arruela (x2)
- 5 Cabo USB

- 6 Chave plana de 14 mm
- 7 Chave plana de 8 mm
- 8 Chave Allen de 2,5 mm
- 9 Chave Allen de 3 mm

AVISO

Antes de usar este produto, leia atentamente este manual e guarde-o para referência futura.



Avisos

- * Mantenha o produto em um local seco e não o exponha ao pó ou à luz solar.
- * Respeite o sentido das conexões.
- * Não torça nem puxe os conectores e cabos.
- * Não derrame qualquer líquido no produto ou no seu conector.
- * Não cause curto-circuito no produto.
- * Nunca desmonte o produto (além de quaisquer ajustes que possam ser mencionados neste manual); não o jogue no fogo e não o exponha a altas temperaturas.
- * Não abra o dispositivo: não há peças internas que possam ser reparadas pelo usuário. Os reparos devem ser realizados pelo fabricante, pelo seu representante autorizado ou por um técnico qualificado.
- * Mantenha o dispositivo fora do alcance de crianças.
- * Em um ambiente propenso a descargas eletrostáticas, o produto pode funcionar de forma anormal, desligar e/ou entrar em modo de erro, exigindo a reinicialização do produto.



Por razões de segurança, nunca use o leme com os pés descalços ou enquanto estiver usando apenas meias nos pés.
A THRUSTMASTER® RENUNCIA A TODA A RESPONSABILIDADE EM CASO DE LESÃO DECORRENTE DO USO DO LEME SEM SAPATOS.



Produto a ser manuseado apenas por usuários maiores de 16 anos

PRODUTO PESADO



Tenha cuidado para não deixar o produto cair em você ou em qualquer outra pessoa!

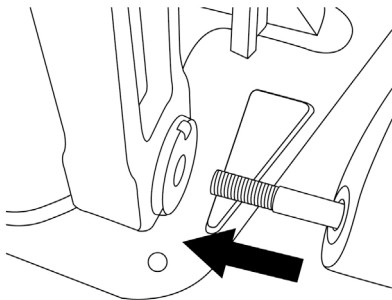
FIXANDO O TPR RUDDER

Você pode usar as quatro perfurações localizadas nos cantos da placa de metal do leme para fixar a unidade a um suporte estacionário.

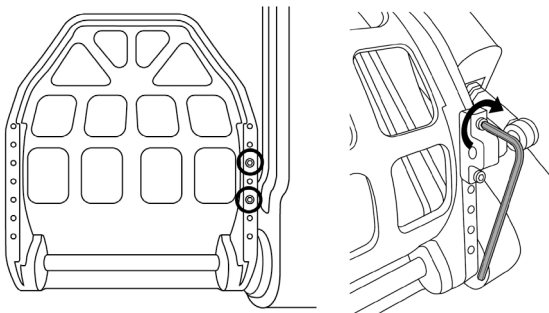
O modelo de instalação do TPR Rudder em cockpits está disponível em <https://support.thrustmaster.com>. Clique em **Joysticks / TPR Rudder** e selecione **Template – Cockpit Setup** (Modelo – Instalação em cockpit).

MONTAGEM DO PRODUTO

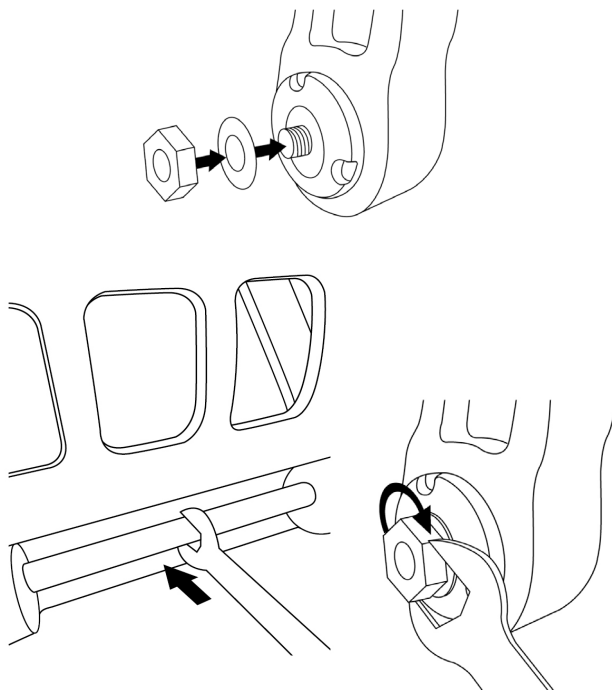
1. Insira o pedal (2) no braço do corpo (1).



2. Solte os dois parafusos na parte traseira do pedal usando a chave Allen de 2,5 mm (8) e aperte-os novamente, prendendo o braço do sensor.



3. Insira uma arruela (4) e uma porca (3), depois aperte o conjunto usando a chave plana de 14 mm (6) e a chave plana de 8 mm (7).

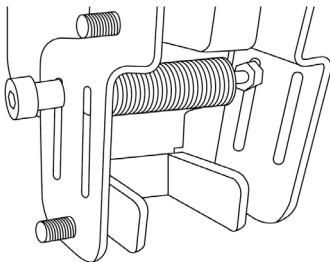


4. Repita os passos 1 a 3 para o segundo pedal.

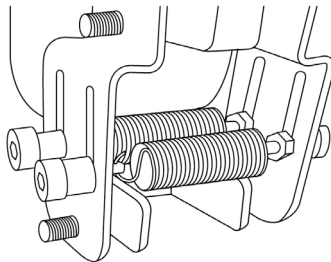
AJUSTANDO A TENSÃO DO EIXO DO LEME

Ajuste o número e a posição das molas na parte traseira do produto.

- Resistência mínima: 1 mola na posição alta
- Resistência máxima: 2 molas na posição baixa



Resistência mínima



Resistência máxima

Dependendo da posição selecionada, a tensão será entre 2,5 kg e 5 kg.

EN

FR

DE

NL

IT

ES

PT

BR

RU

EL

TR

PL

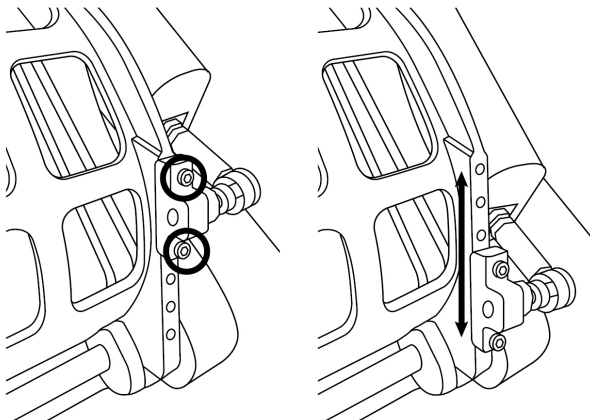
日本語

繁體中文

한국어

AJUSTANDO A INCLINAÇÃO DOS DOIS PEDAIS

Ponto de ajuste número 1:

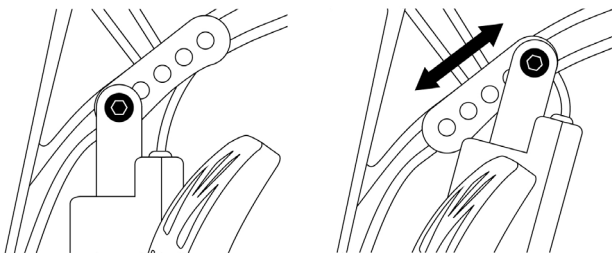


- Usando a chave Allen de 2,5 mm incluída (8), solte os dois parafusos fixados na cabeça de metal do pedal (2).
- Reposicione o suporte em sua nova posição e fixe tudo novamente.

Número de posições possíveis para este ponto de ajuste: 5

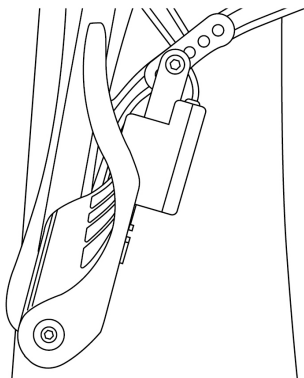
Ponto de ajuste número 2:

- Usando chave Allen de 3 mm incluída (9), solte os parafusos que fixam o sensor ao corpo (1).
- Reposicione o suporte em sua nova posição e fixe tudo novamente.

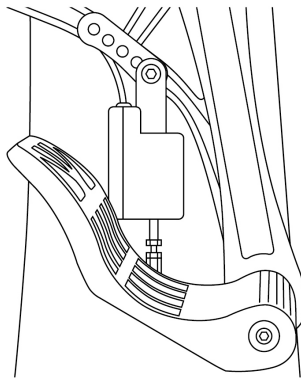


Número de posições possíveis para este ponto de ajuste: 5

Exemplos:



Posição menos inclinada



Posição mais inclinada

Dependendo das posições selecionadas nos ajustes 1 e 2:

- O ângulo do pedal varia entre 35° e 75°.
- A extensão de movimento do pedal varia.

Observação: para garantir que o produto funcione corretamente, os três parafusos descritos para os pontos de ajuste 1 e 2 devem ser conectados a cada pedal.

EN

FR

DE

NL

IT

ES

PT

BR

RU

EL

TR

PL

日本語

繁體中文

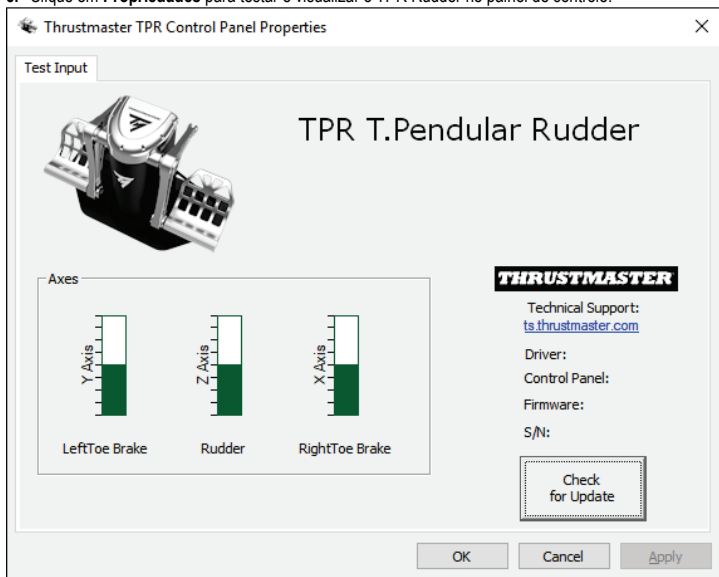
한국어

INSTALAÇÃO NO PC

1. Visite <https://support.thrustmaster.com> para baixar os drivers para PC. Clique em **Joysticks / TPR Rudder** e selecione **Controladores**.
2. Quando o download for concluído, inicie a instalação e siga as instruções na tela para conectar o TPR Rudder ao PC via USB e completar a instalação.
3. Quando a instalação for concluída, clique em **Finalizar** e reinicie o computador.
4. Selecione **Iniciar / Todos os Programas / Thrustmaster / Thrustmaster Hotas Warthog – TPR Rudder / Painel de Controle** para abrir a janela **Controladores de Jogo**.

A janela **Controladores de Jogo** exibe o nome **TPR T.Pendular Rudder** com o status **OK**.

5. Clique em **Propriedades** para testar e visualizar o TPR Rudder no painel de controle:



Observação: o driver de instalação do TPR Rudder é agora unificado com o driver do joystick Thrustmaster Hotas Warthog (o pacote de instalação para ambos os acessórios é, portanto, idêntico).

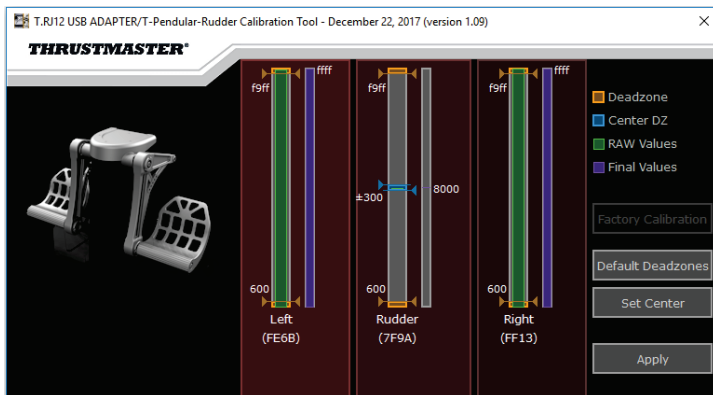
NOTAS GERAIS SOBRE O PC

- Certifique-se sempre de fechar completamente a janela **Controladores de Jogo** clicando em **OK** antes de iniciar o jogo.
- A versão do firmware do TPR Rudder é exibida no canto inferior direito das abas do painel de controle.
- No PC, o TPR Rudder é compatível com:
 - todos os jogos que suportam multi-USB e lemes;
 - com todos os joysticks disponíveis no mercado.

SOFTWARE DE CALIBRAGEM AVANÇADA

Visite <https://support.thrustmaster.com>. Clique em **Joysticks / TPR Rudder** e selecione **Utilitários**. Baixe e instale o software de calibragem avançada para:

- ajustar as zonas mortas no começo e fim da extensão de movimento do eixo do leme, e nos 2 eixos de freios diferenciais;
- ajustar a zona morta central no eixo do leme.



Uma vez que os ajustes tenham sido feitos, eles serão imediatamente salvos na memória interna do TPR Rudder.

SOFTWARE DE PROGRAMAÇÃO AVANÇADA T.A.R.G.E.T. (Thrustmaster Advanced pRogramming Graphical EdiTor)

Visite <https://support.thrustmaster.com>. Clique em **Joysticks / TPR Rudder** e selecione **Software**. Baixe e instale o software de programação avançada T.A.R.G.E.T.

Principais recursos do T.A.R.G.E.T.:

- Diferentes configurações possíveis para os eixos do leme e dos freios diferenciais.
- Diferentes níveis de programação possíveis: Basic, Advanced e Script.
- Usa o princípio de "arrastar e soltar".
- Possibilita combinar o TPR Rudder com diversos joysticks da Thrustmaster (Hotas Cougar, Hotas Warthog, T.16000M, TWCS Throttle, MFD Cougar Pack, todos compatíveis com o T.A.R.G.E.T.), permitindo que sejam reconhecidos como um único dispositivo USB.
- Acesso a perfis avançados criados pela comunidade da Thrustmaster.



ATUALIZAÇÃO DO FIRMWARE DO TPR RUDDER

O firmware incluído no TPR Rudder pode ser atualizado (isto é, pode ser atualizado com versões mais recentes, incluindo melhorias do produto).

Para exibir a versão do firmware do TPR Rudder e atualizá-lo, caso necessário: no PC, visite <https://support.thrustmaster.com>, clique em **Joysticks / TPR Rudder**, selecione **Firmware** e siga as instruções, juntamente com o procedimento de download e instalação.

SOLUÇÃO DE PROBLEMAS E AVISOS

- **Meu leme não está funcionando corretamente ou parece estar calibrado incorretamente.**
 - Desligue o PC e desconecte o conector USB do leme. Em seguida, reconecte o conector USB, ligue o PC novamente e reinicie o jogo.
- **Não consigo configurar meu leme.**
 - No menu de Opções / Controle / Gamepad ou Joystick do seu jogo, selecione a configuração apropriada ou reconfigure completamente as opções do controle.
 - Para obter mais informações, consulte o manual do usuário do jogo ou a ajuda on-line.
 - Use o software de programação avançada T.A.R.G.E.T. (Thrustmaster Advanced pRogramming Graphical EdiTor).
- **Meu leme é sensível demais ou não é sensível o suficiente.**
 - No menu de Opções / Controle / Gamepad ou Joystick do seu jogo, ajuste a sensibilidade e as zonas mortas do controle (caso estas opções estejam disponíveis).
 - Use o software de calibragem avançada.
 - Use o software de programação avançada T.A.R.G.E.T. (Thrustmaster Advanced pRogramming Graphical EdiTor).

ARQUIVOS DE AJUDA E DICAS (não incluídos neste manual)

Diversos arquivos de ajuda e dicas estão disponíveis no site <https://support.thrustmaster.com>. Clique em **Joysticks / TPR Rudder**.

EN

FR

DE

NL

IT

ES

PT

BR

RU

EL

TR

PL

日本語

繁體中文

한국어

INFORMAÇÕES SOBRE A GARANTIA PARA O CONSUMIDOR

A Guillemot Corporation S.A., com sede social situada em Place du Granier, B.P. 97143, 35571 Chantepeie, França (a seguir designada como "Guillemot") garante a nível mundial ao consumidor que este produto Thrustmaster está livre de defeitos em termos de materiais e fabricação durante um período de garantia que corresponde ao limite de tempo para intentar uma ação de conformidade relativamente a este produto. Nos países da União Europeia, isto corresponde a um período de dois (2) anos desde a entrega do produto Thrustmaster. Em outros países, o período de garantia corresponde ao limite de tempo para intentar uma ação de conformidade relativamente ao produto Thrustmaster de acordo com a legislação em vigor do país no qual o consumidor residia na data de compra do produto Thrustmaster (se tal ação não existir no país correspondente, então o período de garantia será de um (1) ano a partir da data de compra original do produto Thrustmaster).

Não obstante o supracitado, as baterias recarregáveis são cobertas por um período de garantia de seis (6) meses a partir da data de compra original.

No caso de o produto apresentar algum defeito durante o período da garantia, contate imediatamente o Suporte Técnico, que lhe indicará o procedimento a tomar. Se o defeito se confirmar, o produto deverá ser devolvido ao respetivo local de compra (ou qualquer outro local indicado pelo Suporte Técnico).

No âmbito da presente garantia, e por opção do Suporte Técnico, o produto defeituoso do consumidor será substituído ou reparado. Se, durante o período da garantia, o produto Thrustmaster for submetido à dita reparação, qualquer período mínimo de (7) dias durante o qual o produto estiver fora de serviço será adicionado ao período da garantia restante (este período decorre desde a data do pedido intervenção pelo consumidor ou desde a data em que o produto em questão é disponibilizado para reparação, se a data em que o produto é disponibilizado para reparação for posterior à data do pedido de intervenção). Se for permitido pela legislação em vigor, a responsabilidade total da Guillemot e das respectivas subsidiárias (incluindo para danos indiretos) está limitada à reparação ou à substituição do produto Thrustmaster. Se for permitido pela legislação em vigor, a Guillemot rejeita todas as garantias de comercialização ou adequação a um fim específico.

A presente garantia não se aplicará: (1) se o produto tiver sido modificado, aberto, alterado ou danificado como resultado de utilização inadequada ou abusiva, negligência, acidente, desgaste normal ou qualquer outra causa relacionada a um defeito de material ou fabricação (incluindo, mas sem limitação, combinar o produto Thrustmaster com qualquer elemento inadequado, incluindo, em particular, fontes de alimentação, baterias recarregáveis, carregadores ou quaisquer outros elementos não fornecidos pela Guillemot para este produto); (2) se o produto tiver sido usado para qualquer outro propósito além do uso doméstico, inclusive para fins profissionais ou comerciais (salas de jogos, treinamento ou competições, por exemplo); (3) na eventualidade de não cumprimento das instruções fornecidas pelo Suporte Técnico; (4) a software, estando o mesmo sujeito a uma garantia específica; (5) a consumíveis (elementos para substituir ao longo da vida útil do produto, como baterias descartáveis e almofadas de fones de ouvido, por exemplo); (6) a acessórios (cabos, estojos, bolsas, sacos e correias de pulso, por exemplo); (7) se o produto foi vendido num leilão público.

A presente garantia não é transmissível.

Os direitos legais do consumidor no que concerne à legislação aplicável à venda de bens de consumo no seu país não são afetados pela presente garantia.

Disposições de garantia adicionais

Durante o período da garantia, a Guillemot não fornecerá, em princípio, quaisquer peças de substituição, uma vez que o Suporte Técnico é a única parte autorizada a abrir e/ou reparar qualquer produto Thrustmaster (exceto por quaisquer procedimentos de reparação que o Suporte Técnico possa pedir ao consumidor para realizar, através de instruções por escrito – por exemplo, devido à simplicidade e à falta de confidencialidade do processo de reparação – e fornecendo ao consumidor a(s) peça(s) de substituição necessária(s), quando aplicável).

Tendo em conta os seus ciclos de inovação, e a fim de proteger o seu know-how e segredos comerciais, a Guillemot não fornecerá, em princípio, qualquer notificação de reparação ou peças de substituição para produtos Thrustmaster cujo período da garantia tenha expirado.

Nos Estados Unidos da América e no Canadá, a presente garantia está limitada ao mecanismo interno e à caixa do produto. Em nenhuma circunstância serão a Guillemot ou as respectivas subsidiárias consideradas responsáveis perante terceiros por quaisquer danos indiretos ou acidentais resultantes da violação de quaisquer garantias expressas ou implícitas. Alguns estados/províncias não permitem a limitação da duração de uma garantia implícita ou a exclusão ou limitação de responsabilidade por danos indiretos ou acidentais, portanto as limitações ou exclusões supracitadas podem não se aplicar a você. A presente garantia concede-lhe direitos legais específicos, e você também pode ter outros direitos, que variam de acordo com o estado ou a província.

Responsabilidade

Se for permitido pela legislação em vigor, a Guillemot Corporation S.A. (a seguir designada como "Guillemot") e as respectivas subsidiárias rejeitam qualquer responsabilidade por quaisquer danos resultantes de uma ou mais das seguintes causas: (1) o produto foi modificado, aberto ou alterado; (2) não cumprimento das instruções de montagem; (3) utilização imprópria ou abusiva, negligência ou acidente (um impacto, por exemplo); (4) desgaste normal; (5) utilização do produto para qualquer outro propósito além do uso doméstico, inclusive para fins profissionais ou comerciais (salas de jogos, treinamento ou competições, por exemplo). Se for permitido ao abrigo da legislação aplicável, a Guillemot e as respectivas subsidiárias rejeitam qualquer responsabilidade por danos relacionados a um defeito de material ou fabricação relativamente ao produto (incluindo, mas sem limitação, quaisquer danos causados direta ou indiretamente por qualquer software ou por combinar o produto Thrustmaster com qualquer elemento inadequado, incluindo, em particular, fontes de alimentação, baterias recarregáveis, carregadores ou quaisquer outros elementos não fornecidos pela Guillemot para este produto).

THRUSTMASTER®

SUPOORTE TÉCNICO

<http://support.thrustmaster.com>



DECLARAÇÃO DE CONFORMIDADE

Aviso de Cumprimento dos EUA: Este equipamento foi testado e considerado em conformidade com os limites para um dispositivo digital Classe B, conforme a Parte 15 das regras da FCC.

DIREITOS AUTORAIS

© 2018 Guillemot Corporation S.A. Todos os direitos reservados. Thrustmaster® é uma marca registada da Guillemot Corporation S.A.

Todas as outras marcas comerciais e nomes de marcas são por este meio reconhecidas e pertencem aos respectivos proprietários. As ilustrações não são vinculativas. Os conteúdos, desenhos e especificações estão sujeitos a alteração sem aviso prévio e podem variar de país para país. Fabricado na China.

RECOMENDAÇÕES DE PROTEÇÃO AMBIENTAL

Respeite a legislação local sobre a reciclagem de equipamento elétrico e eletrónico.

Guarde estas informações. As cores e as decorações podem variar.

Os prendedores de plástico e os adesivos devem ser removidos do produto antes da utilização.

www.thrustmaster.com

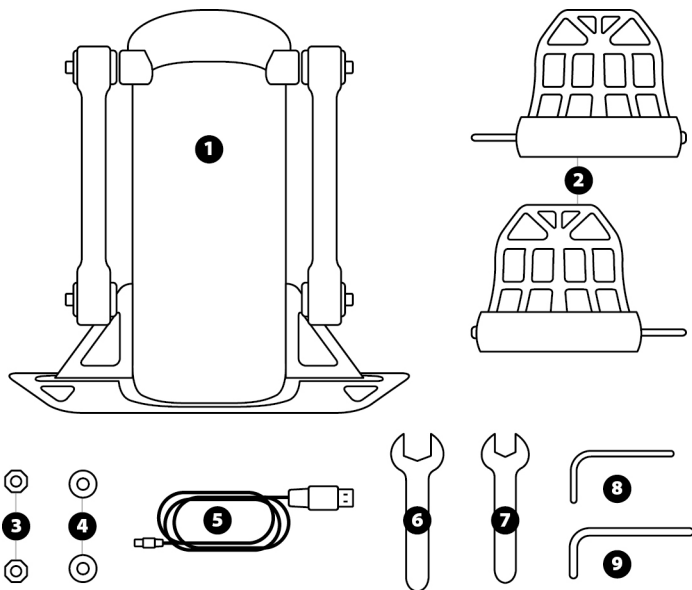


TPR

THRUSTMASTER PENDULAR RUDDER

ПК

Инструкция по эксплуатации



ТЕХНИЧЕСКИЕ ХАРАКТЕРИСТИКИ

- 1 Корпус руля направления
- 2 Педаль (x2)
- 3 Гайка (x2)
- 4 Шайба (x2)
- 5 USB-кабель

- 6 Гаечный ключ 14 мм
- 7 Гаечный ключ 8 мм
- 8 6-гранный ключ 2,5 мм
- 9 6-гранный ключ 3 мм

ВНИМАНИЕ!

Перед эксплуатацией данного изделия внимательно ознакомьтесь с настоящей инструкцией и сохраните ее на будущее.



Предупреждения

- * Изделие следует хранить в сухом месте, избегая попадания на него пыли и солнечного света.
- * Обязательно соблюдение правильности подключений разъемов.
- * Не допускается перекручивание разъемов и кабелей; кабели нельзя тянуть.
- * Не допускается попадание жидкости на изделие и его разъем.
- * Не допускается короткое замыкание в цепи изделия.
- * Запрещается разбирать изделие (в иных целях, кроме регулировки, описанной в настоящей инструкции), бросать изделие в огонь и подвергать его воздействию высоких температур.
- * Нельзя вскрывать устройство — в нем нет деталей, которые могут обслуживаться пользователем. Любой ремонт должен выполняться производителем, его авторизованным представителем или квалифицированным техническим специалистом.
- * Храните изделие вне доступа детей.
- * При наличии электростатического разряда возможны сбои в работе изделия, его самопроизвольное выключение и/или вход в режим обработки ошибок, требующий перезагрузки продукта.



Из соображений безопасности никогда не нажимайте на руль направления босой ногой или ногой в носке (без обуви).
КОМПАНИЯ THRUSTMASTER® ОТКАЗЫВАЕТСЯ ОТ ЛЮБОЙ ОТВЕТСТВЕННОСТИ В СЛУЧАЕ ПОЛУЧЕНИЯ ТРАВМЫ В РЕЗУЛЬТАТЕ НАЖИМАНИЯ НА РУЛЬ НАПРАВЛЕНИЯ НЕОБУТЫМИ НОГАМИ.

ТЯЖЕЛОЕ ИЗДЕЛИЕ



Не допускается использование изделия лицами моложе 16 лет



Не роняйте изделие на себя или на других лиц!

ЗАКРЕПЛЕНИЕ РУЛЯ НАПРАВЛЕНИЯ TPR RUDDER

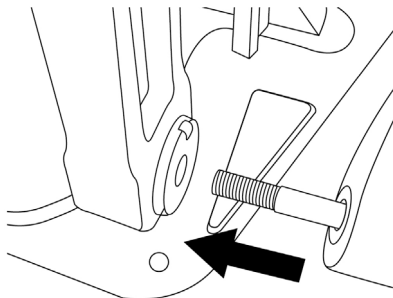
Устройство можно закрепить на стационарной подставке или опорной поверхности с помощью четырех отверстий, расположенных по углам металлической площадки руля направления.

Указания по установке руля направления TPR Rudder в кокпиты можно найти на сайте:

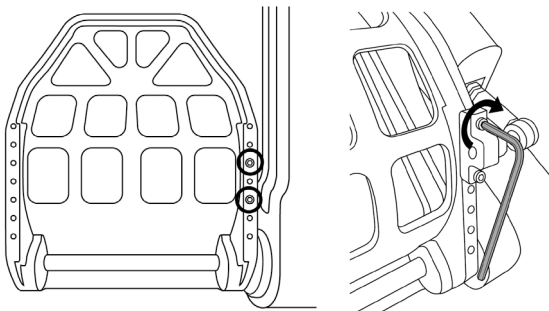
<https://support.thrustmaster.com>. Выберите **Джойстики / TPR Rudder**, затем выберите **Инструкция по эксплуатации — Установка в кокпит**.

СБОРКА ПРОДУКТА

1. Вставьте ось педали (2) в отверстие рычага на корпусе руля направления (1).



2. С помощью шестигранного ключа 2,5 мм (8) открутите два винта на задней стороне педали и снова закрутите их, закрепив рычаг датчика.



EN

FR

DE

NL

IT

ES

PT

BR

RU

EL

TR

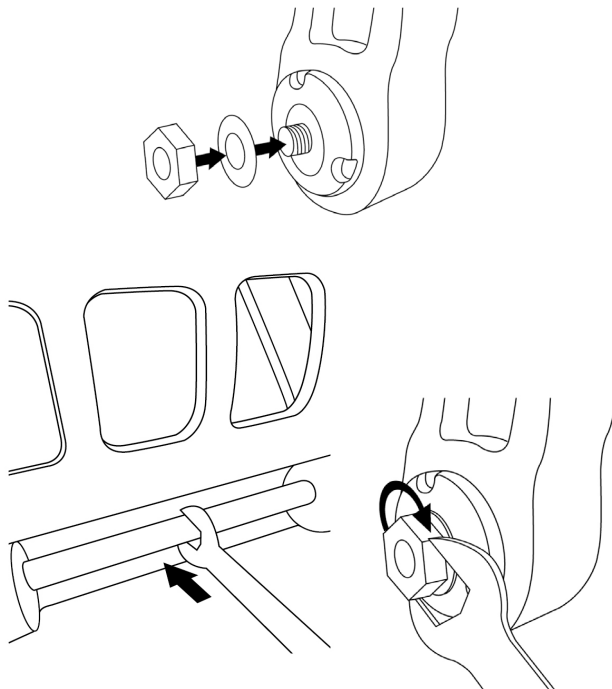
PL

日本語

繁體中文

한국어

3. Наденьте на конец педальной оси шайбу (4) и гайку (3) и затяните сборку с помощью гаечных ключей 14 мм (6) и 8 мм (7).

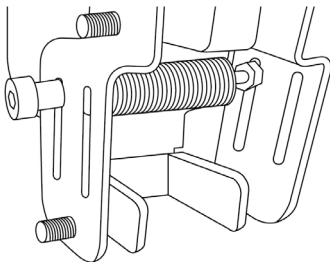


4. Повторите шаги 1 — 3 для второй педали.

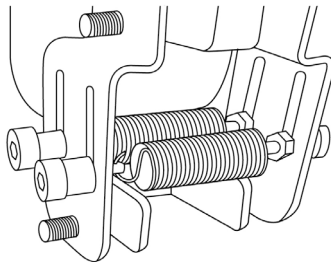
РЕГУЛИРОВКА НАПРЯЖЕНИЯ ДЛЯ ОСИ РУЛЯ НАПРАВЛЕНИЯ

Отрегулируйте количество и положение пружин на задней стороне устройства.

- Минимальное сопротивление: 1 пружина в верхнем положении.
- Максимальное сопротивление: 2 пружины в нижнем положении.



Минимальное сопротивление



Максимальное сопротивление

В зависимости от выбранного положения напряжение может составлять от 2,5 до 5 кг.

EN

FR

DE

NL

IT

ES

PT

BR

RU

EL

TR

PL

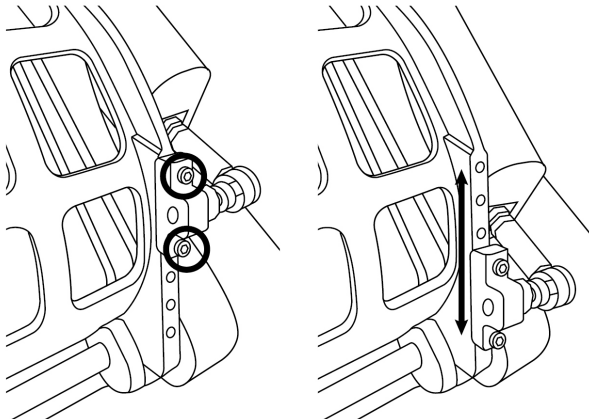
日本語

繁體中文

한국어

РЕГУЛИРОВКА УГЛА НАКЛОНА ДВУХ ПЕДАЛЕЙ

Точка регулировки 1

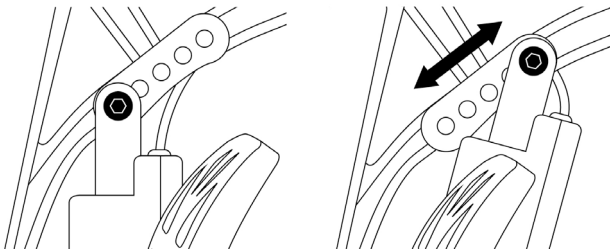


- С помощью входящего в комплект шестигранного ключа 2,5 мм (8) открутите два винта на металлической площадке педали (2).
- Переместите крепление в новое положение и снова закрутите винты.

Количество возможных положений для данной точки регулировки: 5

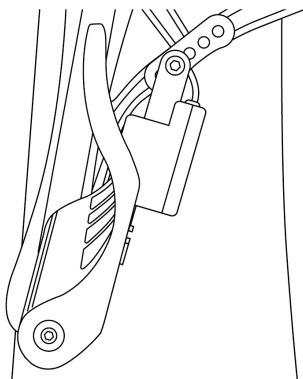
Точка регулировки 2

- С помощью входящего в комплект шестигранного ключа 3 мм (9) открутите винт, с помощью которого датчик прикрепляется к корпусу руля направления (1).
- Переместите крепление в новое положение и снова закрутите винты.

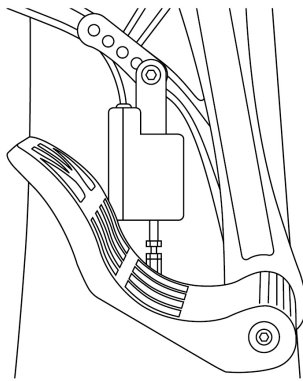


Количество возможных положений для данной точки регулировки: 5

Примеры



Положение наименьшего наклона



Положение наибольшего наклона

В зависимости от положений, выбранных при регулировке точек 1 и 2:

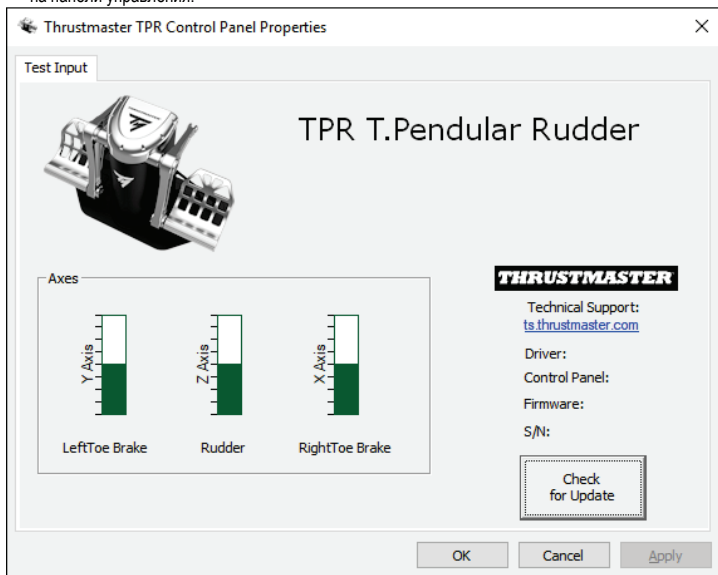
- угол наклона педали изменяется в диапазоне от 35° до 75°;
- изменяется диапазон хода педали.

Обратите внимание: в целях обеспечения нормального функционирования устройства все три винта точек регулировки 1 и 2 должны быть завинчены на обеих педалях.

УСТАНОВКА НА ПК

1. Посетите сайт: <https://support.thrustmaster.com> и загрузите драйверы для ПК. Перейдите в раздел **Джойстики / TPR Rudder** и выберите **Драйверы**.
2. После завершения загрузки запустите процесс установки и выполните указания на экране по подключению USB-кабеля руля направления TPR Rudder к компьютеру и завершению установки.
3. После завершения установки щелкните кнопку **Готово** и перезапустите компьютер.
4. Выберите **Пуск / Все программы / Thrustmaster / Thrustmaster Hotas Warthog — TPR Rudder / Панель управления** и откройте окно **Игровые устройства**.

В окне **Игровые устройства** отображается устройство **TPR T.Pendular Rudder** со статусом **ОК**.
5. Щелкните **Свойства** для тестирования и просмотра свойств руля направления TPR Rudder на панели управления:



Обратите внимание: установочный драйвер руля направления TPR Rudder унифицирован с драйвером для джойстика Thrustmaster Hotas Warthog (то есть, оба эти устройства имеют единый установочный пакет).

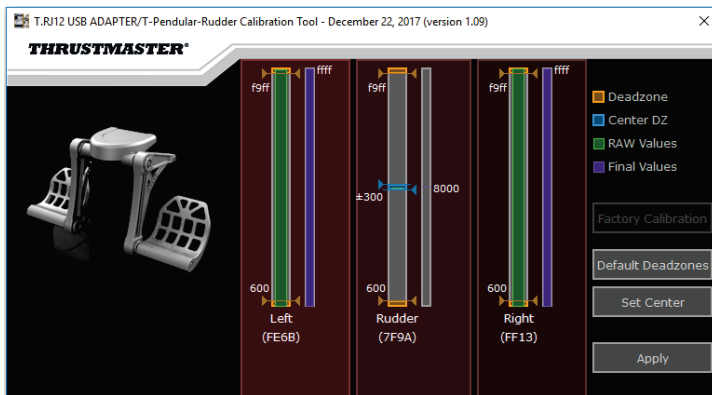
ОБЩИЕ ПРИМЕЧАНИЯ ДЛЯ ПК

- Перед запуском игры обязательно закройте окно **Игровые устройства** щелчком по кнопке **ОК**.
- Версия прошивки руля направления TPR Rudder отображается в правом нижнем углу на вкладках панели управления.
- Руль направления TPR Rudder совместим на ПК:
 - со всеми играми с поддержкой multi-USB и рулей направления;
 - со всеми представленными на рынке джойстикими.

РАСШИРЕННОЕ ПО ДЛЯ КАЛИБРОВКИ

Посетите сайт: <https://support.thrustmaster.com>. Перейдите в раздел **Джойстики / TPR Rudder** и выберите **Инфраструктура**. Загрузите и установите расширенное ПО калибровки, обеспечивающее следующие возможности:

- настройка «мертвых зон» в начале и конце хода на оси руля направления и на двух осях дифференциальных тормозов в соответствии со своими предпочтениями;
- настройка центральной «мертвой зоны» на оси руля направления в соответствии со своими предпочтениями.



По завершении настройки параметры незамедлительно сохраняются во встроенной памяти руля направления TPR Rudder.

T.A.R.G.E.T. — РАСШИРЕННОЕ ПО ПРОГРАММИРОВАНИЯ (Thrustmaster Advanced pRogramming Graphical EdiTor)

Посетите сайт: <https://support.thrustmaster.com>. Перейдите в раздел **Джойстики / TPR Rudder** и выберите **Программное обеспечение**. Загрузите и установите ПО программирования T.A.R.G.E.T.

Основные особенности ПО T.A.R.G.E.T.:

- возможны различные конфигурации для осей руля направления и дифференциальных тормозов;
- возможны различные уровни программирования: Basic, Advanced и Script;
- работа по принципу перетаскивания «Drag and Drop»;
- возможность совмещать руль направления TPR Rudder с различными джойстиками Thrustmaster (Hotas Cougar, Hotas Warthog, T.16000M, TWCS Throttle, MFD Cougar Pack, все из которых совместимы также с ПО T.A.R.G.E.T.), так чтобы они распознавались в виде единого USB-устройства;
- доступ к расширенным профилям, созданным членами сообщества Thrustmaster.



ОБНОВЛЕНИЕ ПРОШИВКИ РУЛЯ НАПРАВЛЕНИЯ TPR RUDDER

Прошивку руля направления TPR Rudder можно обновить (то есть, установить более позднюю, улучшенную версию).

Чтобы просмотреть текущую версии прошивки руля направления TPR Rudder и обновить ее при необходимости: на ПК откройте сайт <https://support.thrustmaster.com>, выберите **Джойстики / TPR Rudder**, затем выберите **Прошивка** и выполните указания по загрузке и установке.

УСТРАНЕНИЕ НЕИСПРАВНОСТЕЙ И ПРЕДУПРЕЖДЕНИЯ

- Руль направления не работает должным образом или кажется неверно откалиброванным.
 - Выключите ПК и отсоедините USB-кабель руля направления. Затем снова подключите USB-кабель, включите ПК и перезапустите игру.
- Не удается настроить руль направления.
 - В игре, в разделе «Параметры/Контроллер/Игровой пульт» или «Джойстик», выберите оптимальную конфигурацию или полностью перенастройте параметры контроллера.
 - Для получения дополнительных сведений обратитесь к руководству пользователя по игре или к интернет-справке.
 - Воспользуйтесь расширенным ПО для программирования T.A.R.G.E.T. (Thrustmaster Advanced pRogramming Graphical EdiTor).
- Слишком высокая или недостаточная чувствительность руля направления.
 - В игре, в разделе «Параметры/Контроллер/Игровой пульт» или «Джойстик», отрегулируйте чувствительность и «мертвые зоны» контроллера (если эти возможности доступны).
 - Воспользуйтесь расширенным ПО калибровки.
 - Воспользуйтесь расширенным ПО для программирования T.A.R.G.E.T. (Thrustmaster Advanced pRogramming Graphical EdiTor).

СПРАВКА И СОВЕТЫ (не приведенные в настоящей инструкции)

Различные справочные материалы и рекомендации можно найти на сайте: <https://support.thrustmaster.com>. Выберите Джойстики / TPR Rudder.

EN

FR

DE

NL

IT

ES

PT

BR

RU

EL

TR

PL

日本語

繁體中文

한국어

Сведения о потребительской гарантии

Корпорация Guillemot Corporation S.A., зарегистрированная по адресу Place du Granier, B.P. 97143, 35571 Chantepie, Франция, (далее — «Guillemot») гарантирует своим клиентам во всем мире, что в данном изделии Thrustmaster не будет выявлено никаких дефектов материалов и производства в течение гарантийного периода, который равен сроку предъявления претензии по соответствию для данного изделия. В странах Европейского Союза этот срок соответствует двум (2) годам с момента поставки изделия Thrustmaster. В других странах гарантийный период равен сроку предъявления претензии по соответствию для изделия Thrustmaster, определяемому соответствующим законодательством страны, в которой проживал потребитель на момент приобретения изделия Thrustmaster (если подобные претензии не действуют в соответствующей стране, гарантийный период равняется одному (1) году с первоначальной даты приобретения изделия Thrustmaster).

В случае обнаружения дефектов изделия во время гарантийного периода незамедлительно обратитесь в службу технической поддержки, сотрудники которой определят дальнейшую процедуру. Если дефект будет подтвержден, изделие следует вернуть по месту приобретения (или в любое другое место, указанное службой технической поддержки).

В рамках действия гарантии дефектное изделие будет, по усмотрению службы технической поддержки, заменено или возвращено в рабочее состояние. Если в течение гарантийного срока изделие Thrustmaster будет подтверждено такому восстановлению, к оставшемуся гарантийному сроку прибавляется период времени, но не менее семи (7) дней, во время которого изделие находилось вне употребления (началом этого периода считается дата запроса покупателя о вмешательстве или дата предоставления дефектного изделия для восстановления, если изделие было предоставлено для восстановления позднее, чем был сделан запрос о вмешательстве). В мере, разрешенной применимым законодательством, полная ответственность компании Guillemot и ее дочерних компаний (в том числе косвенный ущерб) ограничивается восстановлением рабочего состояния или заменой изделия Thrustmaster. В мере, разрешенной применимым законодательством, компания Guillemot отказывается от любых гарантий коммерческой пригодности или пригодности для определенной цели.

Настоящая гарантия не распространяется: (1) на ситуации, когда изделие было видоизменено, открыто, модифицировано или получило повреждения в результате недопустимого или неправильного использования, небрежности или несчастного случая, естественного износа или любой другой причины, не связанной с дефектом материалов или производства (включая, помимо прочего, использование изделия Thrustmaster совместно с любыми неподходящими элементами, в частности — с блоками питания, аккумуляторами, зарядными устройствами и любыми другими элементами, не входящими в комплектацию Guillemot для данного изделия); (2) на случаи использования продукта в любых целях, кроме бытовых, в том числе на случаи профессионального или коммерческого применения (например, в игровых залах, для проведения обучения и соревнований); (3) на ситуации, когда указания службы технической поддержки не были выполнены; (4) на ПО, так как на такое ПО распространяется отдельная гарантия; (5) на расходные материалы (элементы, предназначенные для замены в течение срока службы изделия: например, батарейки и ушные подушки для гарнитур или наушников); (6) на аксессуары (например, кабели, чехлы, сумки, футляры, наручные ремешки); (7) на случаи продажи изделия с открытого аукциона.

Данная гарантия не подлежит передаче.

Настоящая гарантия не ущемляет прав потребителя, предоставляемых ему применимыми законами в отношении продажи потребительских товаров в соответствующей стране.

Дополнительные условия гарантии

В течение гарантийного срока компания Guillemot, в общем и целом, не предоставляет никаких запасных частей, так как вскрытие и/или модификацию любых изделий Thrustmaster вправе осуществлять только служба технической поддержки (за исключением каких-либо процедур по модификации, которые служба технической поддержки может предложить выполнить клиенту путем письменных инструкций и предоставления, при необходимости, требуемых запасных частей: например, в связи с отсутствием статуса сложности или конфиденциальности у такой восстановительной процедуры).

С учетом периода освоения новых изделий и в целях защиты своих ноу-хау и коммерческих тайн компания Guillemot, в общем и целом, не предоставляет каких-либо уведомлений о восстановлении или запасных частей для любых изделий Thrustmaster с истекшим гарантийным сроком.

Ответственность

В мере, разрешенной применимым законодательством, компания Guillemot Corporation S.A. (далее — «Guillemot») и ее дочерние предприятия отказываются от любой ответственности за любой ущерб, вызванный одним или несколькими из следующих факторов: (1) видоизменение, вскрытие или модификация изделия; (2) несоблюдение инструкций по сборке; (3) недопустимое или неправильное использование, небрежность, несчастный случай (например, физическое воздействие); (4) естественный износ; (5) использование продукта в любых целях, кроме бытовых, в том числе профессиональное или коммерческое применение (например, в игровых залах, для проведение обучения и соревнований). В мере, разрешенной применимым законодательством, компания Guillemot и ее дочерние предприятия отказываются от любой ответственности за любой ущерб, не связанный с дефектами материалов или изготовления, в отношении данного изделия (включая, помимо прочего, любой ущерб, вызванный прямо или опосредованно любым программным обеспечением или использованием изделия Thrustmaster с любыми неподходящими элементами, в частности — блоками питания, аккумуляторами, зарядными устройствами и любыми другими элементами, не входящими в комплектацию Guillemot для данного изделия).

THRUSTMASTER®

ТЕХНИЧЕСКОЙ ПОДДЕРЖКИ

<http://support.thrustmaster.com>



АВТОРСКОЕ ПРАВО

© 2018 Guillemot Corporation S.A. Все права защищены. Thrustmaster® является зарегистрированной торговой маркой Guillemot Corporation. Все прочие торговые марки являются собственностью соответствующих владельцев. Иллюстрации могут не соответствовать внешнему виду/функциям конкретного изделия. Содержание руководства, конструкция и технические характеристики изделия изменяются без предварительного уведомления и зависят от страны приобретения.

При использовании изделием учитывайте следующее: цвета и дизайн могут различаться. Пластиковые стяжки и клейкую ленту следует снять перед использованием изделия.

www.thrustmaster.com

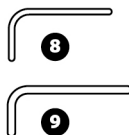
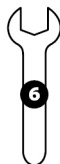
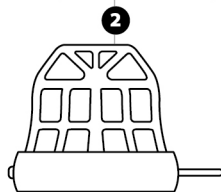
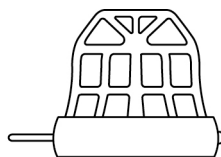
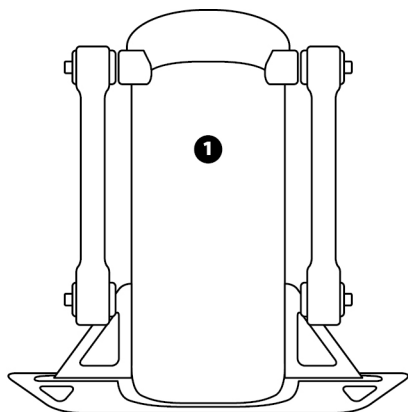


TPR

THRUSTMASTER PENDULAR RUDDER

PC

Εγχειρίδιο χρήσης



ΤΕΧΝΙΚΑ ΧΑΡΑΚΤΗΡΙΣΤΙΚΑ

- 1 Σώμα πηδαλιού
- 2 Πεντάλ (x2)
- 3 Παξιμόδι (x2)
- 4 Ροδέλα (x2)
- 5 Καλώδιο USB

- 6 Επίπεδο κλειδί 14 χιλ.
- 7 Επίπεδο κλειδί 8 χιλ.
- 8 Κλειδί άλεν 2,5 χιλ.
- 9 Κλειδί άλεν 3 χιλ.

ΠΡΟΕΙΔΟΠΟΙΗΣΗ

Πριν χρησιμοποιήσετε αυτό το προϊόν, διαβάστε προσεκτικά το παρόν εγχειρίδιο και φυλάξτε το για μελλοντική αναφορά.



Προειδοποιήσεις

- * Κρατήστε αυτό το προϊόν σε στεγνό μέρος και μην το εκθέτετε σε σκόνη ή στον ήλιο.
- * Τηρήστε τις κατευθύνσεις της σύνδεσης.
- * Μην περιστρέψετε ή τραβάτε τις υποδοχές και τα καλώδια.
- * Μην ρίχνετε υγρό στο προϊόν ή την υποδοχή του.
- * Μην βραχυκυκλώνετε το προϊόν.
- * Ποτέ μην αποσυναρμολογείτε το προϊόν (εκτός από πιθανές ρυθμίσεις οι οποίες αναφέρονται σε αυτό το εγχειρίδιο). Μην ρίχνετε το προϊόν σε φωτιά και μην το εκθέτετε σε υψηλές θερμοκρασίες.
- * Μην ανοίγετε τη συσκευή: Δεν υπάρχουν ανταλλακτικά μέσα που επιδέχονται επιδιόρθωσης από τον χρήστη. Οποιαδήποτε συντήρηση πρέπει να πραγματοποιείται από τον κατασκευαστή, τον εξουσιοδοτημένο αντιπρόσωπο ή κάποιον εξειδικευμένο τεχνικό.
- * Κρατήστε τη συσκευή μακριά από παιδιά.
- * Σε περιβάλλον με προδιάθεση στις ηλεκτροστατικές εκκνώσεις, το προϊόν ενδεχομένως να μην λειτουργεί φυσιολογικά, απενεργοποιήστε τη συσκευή και/ή περάστε σε λειτουργία σφάλματος, ζητώντας την επανεκκίνηση του προϊόντος.



Για λόγους ασφάλειας, ποτέ μην χρησιμοποιείτε το πηδάλιο ξυπόλητοι ή φορώντας μόνο κάλτσες.
Η THRUSTMASTER® ΑΠΟΠΟΙΕΙΤΑΙ ΟΠΟΙΑΣΔΗΠΟΤΕ ΕΥΘΥΝΗΣ ΣΕ ΠΕΡΙΠΤΩΣΗ ΤΡΑΥΜΑΤΙΣΜΟΥ ΠΟΥ ΠΡΟΚΑΛΕΙΤΑΙ ΑΠΟ ΤΗ ΧΡΗΣΗ ΤΟΥ ΠΗΔΑΛΙΟΥ ΧΩΡΙΣ ΠΑΠΟΥΤΣΙΑ.



Το προϊόν προορίζεται για χρήση μόνο από χρήστες ηλικίας 16 ετών ή μεγαλύτερους

ΒΑΡΥ ΠΡΟΪΟΝ



Προσέχετε να μην ρίξετε το προϊόν επάνω σας ή επάνω σε κάποιον άλλον!

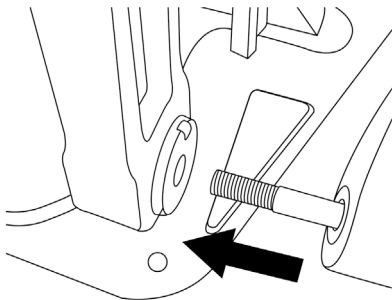
ΤΟΠΟΘΕΤΗΣΗ ΤΟΥ TPR RUDDER

Μπορείτε να χρησιμοποιήσετε τις τέσσερις οπές που βρίσκονται στις γωνίες της μεταλλικής πλακέτας του πηδαλιού ώστε να τοποθετήσετε τη μονάδα σε μια σταθερή βάση ή στήριγμα.

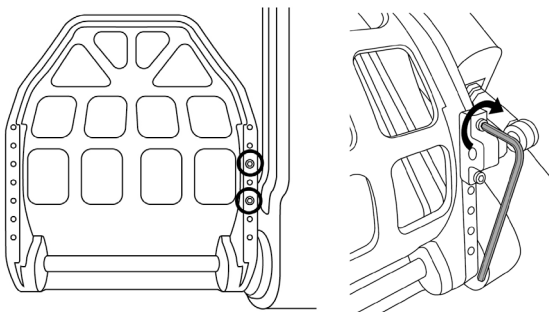
Το πρότυπο εγκατάστασης για το TPR Rudder για χρήση σε πιλοτήρια υπάρχει διαθέσιμο στον ιστότοπο <https://support.thrustmaster.com>. Κάντε κλικ στις επιλογές **Joysticks** (Joystick) / **TPR Rudder**, και μετά επιλέξτε **Template – Cockpit Setup** (Πρότυπο - Ρύθμιση πιλοτηρίου).

ΣΥΝΑΡΜΟΛΟΓΗΓΗ ΤΟΥ ΠΡΟΪΟΝΤΟΣ

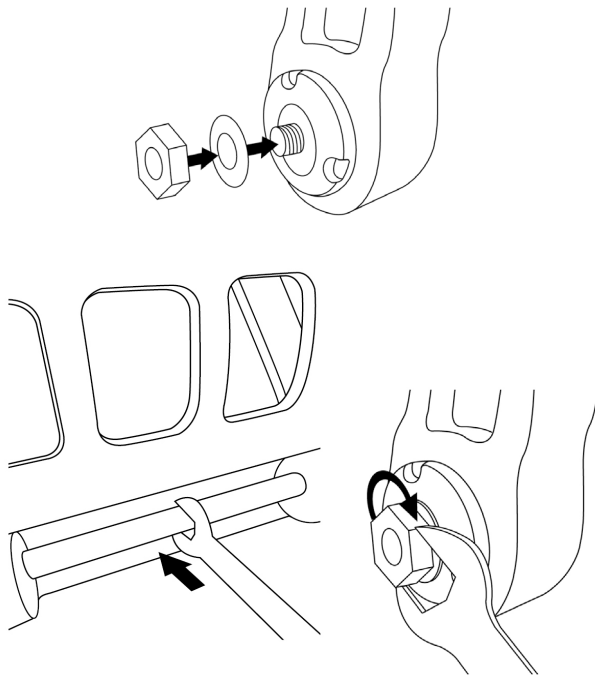
1. Τοποθετήστε το πεντάλ (2) μέσα στον βραχίονα στο σώμα (1).



2. Ξεβιδώστε τις δύο βίδες στο πίσω μέρος του πεντάλ χρησιμοποιώντας το κλειδί άλεν 2,5 χιλ. (8), και μετά βιδώστε τις βίδες ξανά στη θέση τους, τοποθετώντας τον βραχίονα του αισθητήρα.



3. Τοποθετήστε μια ροδέλα (4) και ένα παξιμάδι (3) στο επάνω μέρος, και μετά συσφίξτε τη διάταξη χρησιμοποιώντας το επίπεδο κλειδί 14 χιλ. (6) και το επίπεδο κλειδί 8 χιλ. (7).

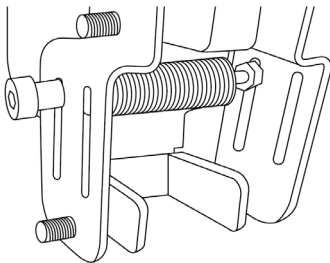


4. Επαναλάβετε τα βήματα 1 έως 3 για το δεύτερο πεντάλ.

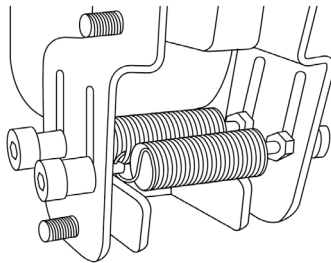
ΡΥΘΜΙΣΗ ΤΗΣ ΤΑΝΥΣΗΣ ΤΟΥ ΑΞΟΝΑ ΤΟΥ ΠΗΔΑΛΙΟΥ

Ρυθμίστε τον αριθμό και τη θέση των ελατηρίων στο πίσω μέρος του προϊόντος.

- Ελάχιστη αντίσταση: 1 ελατήριο στην υψηλή θέση
- Μέγιστη αντίσταση: 2 ελατήρια στη χαμηλή θέση



Ελάχιστη αντίσταση



Μέγιστη αντίσταση

Ανάλογα με την επιλεγμένη θέση, η τάνυση θα είναι μεταξύ 2,5 και 5 κιλών.

EN

FR

DE

NL

IT

ES

PT

BR

RU

EL

TR

PL

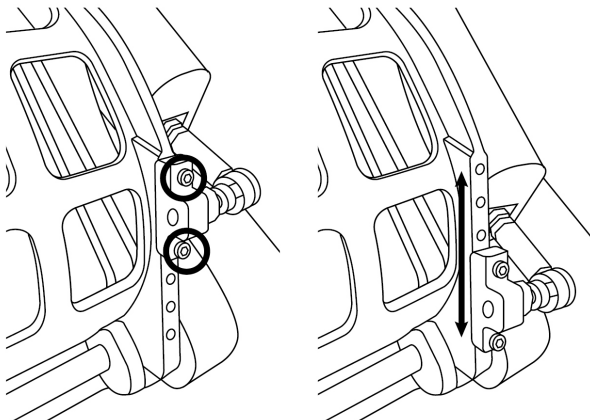
日本語

繁體中文

한국어

ΡΥΘΜΙΣΗ ΤΗΣ ΚΛΙΣΗΣ ΤΩΝ ΔΥΟ ΠΕΝΤΑΛ

Αριθμός σημείου ρύθμισης 1:

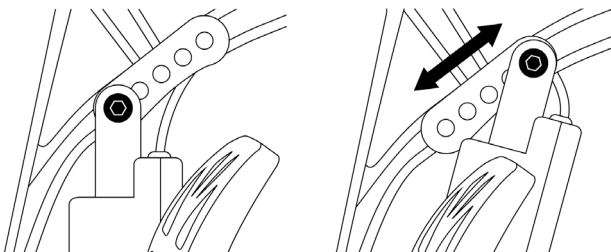


- Με τη χρήση του κλειδιού άλεν 2,5 χιλ. (8), ξεβιδώστε τις δύο βίδες στη μεταλλική κεφαλή του πεντάλ (2).
- Επανατοποθετήστε το στήριγμα μέσα στη νέα του θέση και βιδώστε τα όλα ξανά μαζί.

Αριθμός πιθανών θέσεων για αυτό το σημείο ρύθμισης: 5

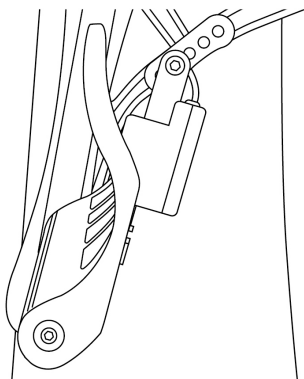
Αριθμός σημείου ρύθμισης 2:

- Με τη χρήση του κλειδιού άλεν 3 χιλ. (9), ξεβιδώστε τη βίδα που στερεώνει τον αισθητήρα στο σώμα (1).
- Επανατοποθετήστε το στήριγμα μέσα στη νέα του θέση και βιδώστε τα όλα ξανά μαζί.

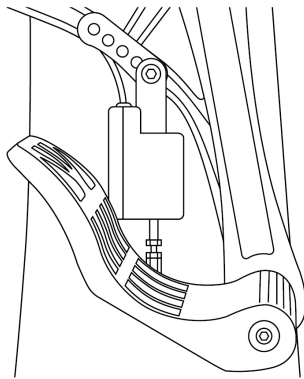


Αριθμός πιθανών θέσεων για αυτό το σημείο ρύθμισης: 5

Παραδείγματα:



Λιγότερο κεκλιμένη θέση



Περισσότερο κεκλιμένη θέση

Ανάλογα με τις θέσης που έχουν επιλεγεί στις ρυθμίσεις 1 και 2:

- Η γωνία του πεντάλ θα ποικίλει μεταξύ 35° και 75°.
- Το εύρος μετακίνησης του πεντάλ είναι ποικίλει.

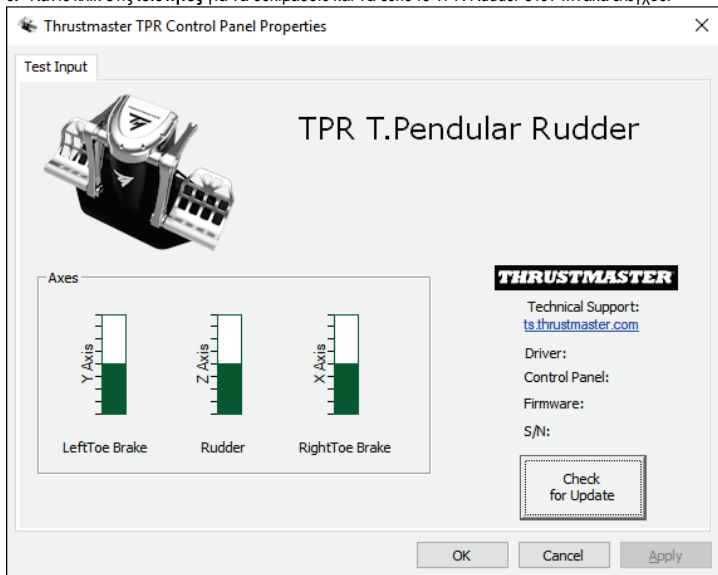
Σημείωση: για να διασφαλίσετε ότι το προϊόν λειτουργεί σωστά, πρέπει να έχουν τοποθετηθεί σε κάθε πεντάλ και οι τρεις βίδες που περιγράφονται για τα σημεία ρύθμισης 1 και 2.

ΕΓΚΑΤΑΣΤΑΣΗ ΣΕ PC

1. Επισκεφθείτε τον ιστότοπο <https://support.thrustmaster.com> για να κατεβάσετε τους οδηγούς για PC.
Κάντε κλικ στις επιλογές **Joysticks** (Joystick) / **TPR Rudder**, και μετά επιλέξτε **Drivers** (Οδηγοί).
2. Μετά την ολοκλήρωση της λήψης, εκκινήστε την εγκατάσταση και ακολουθήστε τις οδηγίες στην οθόνη για να συνδέσετε την υποδοχή USB του TPR Rudder στο PC σας και να ολοκληρώσετε την εγκατάσταση.
3. Μόλις η εγκατάσταση ολοκληρωθεί, κάντε κλικ στο κουμπί **Τέλος** και επανεκκινήστε τον υπολογιστή σας.
4. Επιλέξτε **Έναρξη / Όλα τα προγράμματα / Thrustmaster / Thrustmaster Hotas Warthog – TPR Rudder / Πίνακας ελέγχου** για να ανοίξετε το παράθυρο **Ελεγκτές παιχνιδιών**.

Το παράθυρο **Ελεγκτές παιχνιδιών** εμφανίζει το όνομα **TPR T.Pendular Rudder** με την κατάσταση **OK**.

5. Κάντε κλικ στις **Ιδιότητες** για να δοκιμάσετε και να δείτε το TPR Rudder στον πίνακα ελέγχου:



Σημείωση: ο οδηγός εγκατάστασης του TPR Rudder έχει τώρα εννοποιηθεί με τον οδηγό για το joystick Thrustmaster Hotas Warthog (επομένως, το πακέτο εγκατάστασης και για τα δύο αξεσουάρ είναι όμοιο).

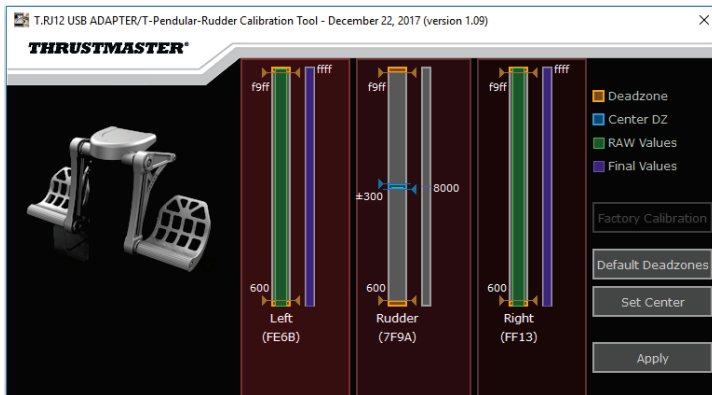
ΓΕΝΙΚΕΣ ΣΗΜΕΙΩΣΕΙΣ ΓΙΑ PC

- Βεβαιωθείτε ότι έχετε κλείσει εντελώς το παράθυρο **Ελεγκτές παιχνιδιών** κάνοντας κλικ στο κουμπί **OK**, προτού εκκινήσετε το παιχνίδι σας.
- Η έκδοση υλικολογισμικού του TPR Rudder εμφανίζεται στο κάτω δεξιά τμήμα στις καρτέλες του πίνακα ελέγχου.
- Σε PC, το TPR Rudder είναι συμβατό με τα εξής:
 - με όλα τα παιχνίδια που υποστηρίζουν πολλαπλές συνδέσεις USB και πηδάλια,
 - με όλα τα joystick που κυκλοφορούν στην αγορά.

ΠΡΟΗΓΜΕΝΟ ΛΟΓΙΣΜΙΚΟ ΒΑΘΜΟΝΟΜΗΣΗΣ

Επισκεφθείτε τον ιστότοπο <https://support.thrustmaster.com>. Κάντε κλικ στις επιλογές **Joysticks** (Joystick) / **TPR Rudder**, και μετά επιλέξτε **Utilities** (Βοηθητικά προγράμματα). Κατεβάστε και εγκαταστήστε το προηγμένο λογισμικό βαθμονόμησης, για να:

- ρυθμίσετε τις νεκρές ζώνες στην αρχή και το τέλος της διαδρομής στον άξονα του πηδαλίου, καθώς και στους 2 άξονες των φρένων διαφορικής λειτουργίας, ανάλογα με τις προτιμήσεις σας,
- ρυθμίσετε την κεντρική νεκρή ζώνη στον άξονα του πηδαλίου, ανάλογα με τις προτιμήσεις σας.



Αφού πραγματοποιηθεί η εγκατάσταση, όλες οι ρυθμίσεις θα αποθηκευτούν στην εσωτερική μνήμη του TPR Rudder.

T.A.R.G.E.T ΠΡΟΗΓΜΕΝΟ ΛΟΓΙΣΜΙΚΟ ΠΡΟΓΡΑΜΜΑΤΙΣΜΟΥ (Thrustmaster Advanced pProgramming Graphical EdiTor)

Επισκεφθείτε τον ιστότοπο <https://support.thrustmaster.com>. Κάντε κλικ στις επιλογές **Joysticks** (Joystick) / **TPR Rudder**, και μετά επιλέξτε **Software** (Λογισμικό). Κατεβάστε και εγκαταστήστε το προηγμένο λογισμικό προγραμματισμού T.A.R.G.E.T..

Κύρια χαρακτηριστικά του T.A.R.G.E.T.:

- Διαφορετικές πιθανές διαμορφώσεις για τους άξονες του πηδαλίου και των φρένων διαφορεικής λειτουργίας.
- Διαφορετικά πιθανά επίπεδα προγραμματισμού: Basic, Advanced και Script.
- Χρήση της αρχής Μεταφορά και Απόθεση.
- Ικανότητα συνδυασμού του TPR Rudder με διάφορα joystick της Thrustmaster (Hotas Cougar, Hotas Warthog, T.16000M, TWCS Throttle, MFD Cougar Pack, τα οποία όλα είναι συμβατά με το T.A.R.G.E.T.), επιτρέποντας να αναγνωριστούν ως μονή συσκευή USB.
- Πρόσβαση σε προφίλ για προχωρημένους που έχουν δημιουργηθεί από την κοινότητα της Thrustmaster.



ΕΝΗΜΕΡΩΣΗ ΤΟΥ ΥΛΙΚΟΛΟΓΙΣΜΙΚΟΥ ΤΟΥ TPR RUDDER

Το υλικολογισμικό που περιλαμβάνεται στο TPR Rudder μπορεί να ενημερωθεί (δηλαδή, μπορεί να ενημερωθεί με πιο πρόσφατες εκδόσεις στις οποίες περιλαμβάνονται βελτιώσεις του προϊόντος).

Για να εμφανίσετε την έκδοση του υλικολογισμικού του TPR Rudder και να την ενημερώσετε αν απαιτείται: σε PC, επισκεφθείτε τον ιστότοπο <https://support.thrustmaster.com>, κάντε κλικ στις επιλογές **Joysticks** (Joystick) / **TPR Rudder**, και μετά επιλέξτε **Firmware** (Υλικολογισμικό) και ακολουθήστε τις οδηγίες, μαζί με τη διαδικασία λήψης και εγκατάστασης.

ΑΝΤΙΜΕΤΩΠΙΣΗ ΠΡΟΒΛΗΜΑΤΩΝ ΚΑΙ ΠΡΟΕΙΔΟΠΟΙΗΣΕΙΣ

- **Το πηδάλιο μου δεν λειτουργεί σωστά ή φαίνεται να έχει βαθμονομηθεί λανθασμένα.**
 - Απενεργοποιήστε το PC σας και αποσυνδέστε την υποδοχή USB του πηδαλίου σας. Έπειτα, επανασυνδέστε την υποδοχή USB, ενεργοποιήστε ξανά το PC σας και επανεκκινήστε το παιχνίδι σας.
- **Δεν μπορώ να διαμορφώσω το πηδάλιο μου.**
 - Στο μενού του παιχνιδιού Επιλογές / Ελεγκτής / Χειριστήριο για παιχνίδια ή Joystick, επιλέξτε την κατάλληλη διαμόρφωση ή διαμορφώστε από την αρχή τις επιλογές του ελεγκτή.
 - Για περισσότερες πληροφορίες, ανατρέξτε στο εγχειρίδιο χρήσης του παιχνιδιού σας ή στην online βοήθεια.
 - Χρησιμοποιήστε το T.A.R.G.E.T. Προηγμένο λογισμικό προγραμματισμού (Thrustmaster Advanced pRogramming Graphical EdiTor).
- **Το πηδάλιο μου είναι εξαιρετικά ευαίσθητο ή δεν είναι αρκετά ευαίσθητο.**
 - Στο μενού του παιχνιδιού Επιλογές / Ελεγκτής / Χειριστήριο για παιχνίδια ή Joystick, ρυθμίστε την ευαισθησία και τις νεκρές ζώνες του ελεγκτή σας (αν αυτές οι επιλογές είναι διαθέσιμες).
 - Χρησιμοποιήστε το προηγμένο λογισμικό βαθμονόμησης.
 - Χρησιμοποιήστε το T.A.R.G.E.T. Προηγμένο λογισμικό προγραμματισμού (Thrustmaster Advanced pRogramming Graphical EdiTor).

ΑΡΧΕΙΑ ΒΟΗΘΕΙΑΣ ΚΑΙ ΣΥΜΒΟΥΛΕΣ (δεν περιλαμβάνονται σε αυτό το εγχειρίδιο)

Θα βρείτε πολλά αρχεία βοήθειας και συμβουλές διαθέσιμα στον ιστότοπο <https://support.thrustmaster.com>. Κάντε κλικ στις επιλογές Joysticks (Joystick) / TPR Rudder.

EN

FR

DE

NL

IT

ES

PT

BR

RU

EL

TR

PL

日本語

繁體中文

한국어

Πληροφορίες εγγύησης καταναλωτή

Παγκοσμίως, η Guillemot Corporation S.A. της οποίας η εγγεγραμμένη έδρα είναι η οδός Place du Granier, B.P. 97143, 35571 Chanteprie, France (Γαλλία) (εφεξής "Guillemot") εγγυάται στον καταναλωτή ότι το προϊόν της Thrustmaster δεν παρουσιάζει ελάττωμα στο υλικό ούτε κατασκευαστικές ατέλειες για το χρονικό διάστημα της εγγύησης, το οποίο αντιστοιχεί στο χρονικό όριο για άσκηση αγωγής για συμμόρφωση αναφορικά με αυτό το προϊόν. Στις χώρες της Ε.Ε., αυτό αντιστοιχεί σε διάστημα δύο (2) ετών από την παράδοση του προϊόντος της Thrustmaster. Σε άλλες χώρες, η περίοδος εγγύησης αντιστοιχεί στο χρονικό όριο για άσκηση αγωγής για συμμόρφωση αναφορικά με το προϊόν της Thrustmaster σύμφωνα με την ισχύουσα νομοθεσία της χώρας στην οποία ο καταναλωτής διέμενε κατά την ημερομηνία αγοράς του προϊόντος της Thrustmaster (σε περίπτωση που δεν υπάρχει τέτοια ενέργεια στην αντίστοιχη χώρα, τότε η εγγύηση θα ισχύει για ένα (1) έτος από την αρχική ημερομηνία αγοράς του προϊόντος της Thrustmaster).

Σε περίπτωση που το προϊόν σας φαίνεται να είναι ελαττωματικό κατά την περίοδο της εγγύησης, επικοινωνήστε αμέσως με την Τεχνική υποστήριξη, η οποία θα υποδείξει την διαδικασία που θα ακολουθήσετε. Αν το ελάττωμα επιβεβαιωθεί, το προϊόν πρέπει να επιστραφεί στο σημείο αγοράς του (ή σε οποιοδήποτε άλλο σημείο υποδεικνύει η Τεχνική υποστήριξη).

Στα πλαίσια της εγγύησης, το ελαττωματικό προϊόν του καταναλωτή, με επιλογή της Τεχνικής υποστήριξης, είτε θα αντικατασταθεί είτε θα επιστραφεί και θα είναι σε κατάσταση λειτουργίας. Αν κατά τη διάρκεια της περιόδου εγγύησης το προϊόν της Thrustmaster υπόκειται σε τέτοιου είδους μετασκευή, οποιαδήποτε περίοδος τουλάχιστον επτά (7) ημερών κατά την οποία το προϊόν έχει τεθεί εκτός χρήσης θα προστεθεί στην εναπομένουσα περίοδο εγγύησης (αυτή η περίοδος ισχύει από την ημερομηνία του αιτήματος του καταναλωτή για παρέμβαση ή από την ημερομηνία κατά την οποία το εν λόγω προϊόν διατίθεται για μετασκευή, αν η ημερομηνία κατά την οποία το προϊόν διατίθεται για μετασκευή είναι επακόλουθη της ημερομηνίας του αιτήματος για παρέμβαση). Αν επιτρέπεται από την ισχύουσα νομοθεσία, η πλήρης ευθύνη της Guillemot και των θυγατρικών της (περιλαμβάνονται οι επακόλουθες ζημιές) περιορίζεται στην επιστροφή σε κατάσταση λειτουργίας ή την αντικατάσταση του προϊόντος της Thrustmaster. Αν επιτρέπεται από την ισχύουσα νομοθεσία, η Guillemot αποποιείται κάθε εγγύηση εμπροθεσιμότητας ή καταλληλότητας για τον συγκεκριμένο σκοπό.

Η παρούσα εγγύηση δεν ισχύει: (1) αν το προϊόν έχει τροποποιηθεί, ανοιχτεί, μεταποιηθεί ή υποστεί βλάβη ως αποτέλεσμα ακατάλληλης ή κακής χρήσης, αμέλειας, ατυχήματος, φυσιολογικής φθοράς ή οποιασδήποτε άλλης αιτίας που δεν σχετίζεται με ελάττωμα στο υλικό ή κατασκευαστικό ελάττωμα (συμπεριλαμβανομένων, ενδεικτικά, συνδυάζοντας το προϊόν της Thrustmaster με οποιοδήποτε ακατάλληλο στοιχείο, συμπεριλαμβανομένων συγκεκριμένων παροχών ρεύματος, επαναφορτιζόμενων μπαταριών, φορτιστών ή άλλων στοιχείων που δεν παρέχονται από την Guillemot για αυτό το προϊόν), (2) αν το προϊόν έχει χρησιμοποιηθεί για οποιαδήποτε άλλη χρήση πέρα από την οικιακή χρήση, συμπεριλαμβανομένης χρήσης για επαγγελματικούς ή εμπορικούς σκοπούς (για παράδειγμα, δωμάτια παιχνιδιών, εκπαίδευση, διαγωνισμοί), (3) σε περίπτωση μη συμμόρφωσης με τις οδηγίες που παρέχονται από την Τεχνική υποστήριξη, (4) για λογισμικό, το εν λόγω λογισμικό υπόκειται σε συγκεκριμένη εγγύηση, (5) για αναλώσιμα (στοιχεία που πρόκειται να αντικατασταθούν από τη διάρκεια ζωής του προϊόντος: για παράδειγμα, μπαταρίες μίας χρήσης, καλύμματα αυτιών για σετ ακουστικών ή ακουστικά), (6) για αξεσουάρ (για παράδειγμα, καλώδια, περιβλήματα, θήκες, τσάντες, λουράκια καρπού), (7) αν το προϊόν πωληθεί σε δημοπρασία.

Η παρούσα εγγύηση δεν μεταβιβάζεται.

Τα νομικά δικαιώματα του καταναλωτή σε σχέση με την ισχύουσα νομοθεσία όσον αφορά την πώληση των καταναλωτικών ειδών στη χώρα του/της που δεν επηρεάζονται από την παρούσα εγγύηση.

Επιπλέον διατάξεις εγγύησης

Κατά την περίοδο εγγύησης, η Guillemot δεν θα διαθέσει, κατά βάση, κανένα ανταλλακτικό, καθώς Η Τεχνική υποστήριξη είναι ο μόνος συμβαλλόμενος εξουσιοδοτημένος να ανοίξει και/ή να μετασκευάσει οποιοδήποτε προϊόν της Thrustmaster (με εξαίρεση κάθε διαδικασία μετασκευής, την οποία η Τεχνική υποστήριξη μπορεί να ζητήσει να διεξάγει ο καταναλωτής, υπό τη μορφή γραπτών οδηγιών – για παράδειγμα, λόγω της απλούστευσης και της έλλειψης εμπιστευτικότητας της διαδικασίας μετασκευής – και παρέχοντας στον καταναλωτή το απαιτούμενο(α) ανταλλακτικό(ά), όπου είναι εφικτό).

Δεδομένου των κύκλων καινοτομιών και με σκοπό την προστασία της τεχνονομίας και των εμπορικών μυστικών, η Guillemot δεν θα παρέχει, κατά βάση, καμία ειδοποίηση περί μετασκευής ή ανταλλακτικών για κανένα προϊόν της Thrustmaster του οποίου η περίοδος εγγύησης έχει λήξει.

Ευθύνη

Αν επιτρέπεται από την ισχύουσα νομοθεσία, η Guillemot Corporation S.A. (εφεξής "Guillemot") και οι θυγατρικές της αποποιούνται κάθε ευθύνης για οποιαδήποτε ζημιά προκαλείται από ένα ή περισσότερα από τα ακόλουθα: (1) το προϊόν έχει τροποποιηθεί, ανοιχτεί ή μεταποιηθεί, (2) αποτυχία ως προς τη συμμόρφωση με τις οδηγίες συναρμολόγησης, (3) ακατάλληλη ή κακή χρήση, αμέλεια, ατύχημα (για παράδειγμα, πρόσκρουση), (4) φυσιολογική φθορά, (5) χρήση του προϊόντος για οποιαδήποτε άλλη χρήση πέρα από την οικιακή χρήση, συμπεριλαμβανομένης χρήσης για επαγγελματικούς ή εμπορικούς σκοπούς (για παράδειγμα, δωμάτια παιχνιδιών, εκπαίδευση, διαγωνισμοί). Αν επιτρέπεται από την ισχύουσα νομοθεσία, η Guillemot και οι θυγατρικές της αποποιούνται κάθε ευθύνης για οποιαδήποτε ζημιά δεν σχετίζεται με λάθος στο υλικό ή την κατασκευή αναφορά με το προϊόν (συμπεριλαμβάνεται, ενδεικτικά, οποιαδήποτε ζημιά προκαλείται άμεσα ή έμμεσα από οποιοδήποτε λογισμικό ή από συνδυασμό του προϊόντος της Thrustmaster με κάθε ακατάλληλο στοιχείο, συμπεριλαμβανομένων συγκεκριμένων παροχών ρεύματος, επαναφορτιζόμενων μπαταριών, φορτιστών ή άλλων στοιχείων που δεν παρέχονται από την Guillemot για αυτό το προϊόν).

THRUSTMASTER®

ΤΕΧΝΙΚΉΣ ΥΠΟΣΤΉΡΙΞΗΣ

<http://support.thrustmaster.com>



Πνευματικά δικαιώματα

© 2018 Guillemot Corporation S.A. Με την επιφύλαξη παντός δικαιώματος. Η ονομασία Thrustmaster® είναι εμπορικό σήμα της Guillemot Corporation S.A. Όλα τα υπόλοιπα εμπορικά σήματα αποτελούν ιδιοκτησία των αντίστοιχων κατόχων τους. Οι εικόνες δεν είναι δεσμευτικές. Τα περιεχόμενα, οι σχεδιασμοί και οι προσδιορισμοί προδιαγραφών υπόκεινται σε αλλαγή χωρίς ειδοποίηση και ενδέχεται να ποικίλουν από χώρα σε χώρα. Κατασκευάζεται στην Κίνα.

ΣΥΣΤΑΣΗ ΠΡΟΣΤΑΣΙΑΣ ΠΕΡΙΒΑΛΛΟΝΤΟΣ



Στην Ευρωπαϊκή Ένωση: Στο τέλος της ωφέλιμης διάρκειας ζωής, το παρόν προϊόν δεν πρέπει να απορρίπτεται με τα τυπικά οικιακά απορρίμματα, αλλά να απορρίπτεται σε σημείο συλλογής απόρριψης ηλεκτρικού και ηλεκτρονικού εξοπλισμού για ανακύκλωση.

Το παρόν επιβεβαιώνεται με το σύμβολο που υπάρχει στο προϊόν, στο εγχειρίδιο χρήσης ή στη συσκευασία.

Ανάλογα με τα χαρακτηριστικά τους, τα υλικά μπορούν να ανακυκλωθούν.

Μέσω της ανακύκλωσης και άλλων μορφών επεξεργασίας απόρριψης ηλεκτρικού και ηλεκτρονικού εξοπλισμού, μπορείτε να συμβάλετε σημαντικά

στην προστασία του περιβάλλοντος. Επικοινωνήστε με τις τοπικές αρχές για το πλησιέστερο σε εσάς σημείο συλλογής.

Για όλες τις υπόλοιπες χώρες: Να τηρείτε τους τοπικούς νόμους περί ανακύκλωσης του ηλεκτρικού και ηλεκτρονικού εξοπλισμού.

Κρατήστε αυτές τις πληροφορίες. Τα χρώματα και τα διακοσμητικά ενδέχεται να ποικίλουν.

Τα πλαστικά εξαρτήματα σύνδεσης και τα αυτοκόλλητα υλικά πρέπει να αφαιρούνται από το προϊόν πριν τη χρήση του.

www.thrustmaster.com

*Ισχύει μόνο σε ΕΕ και Τουρκία

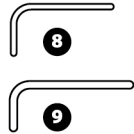
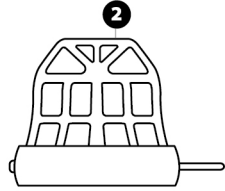
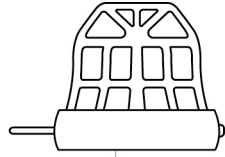
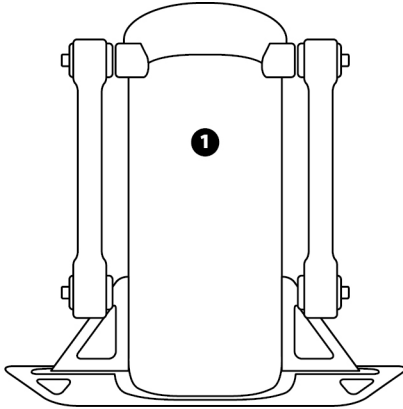


TPR

THRUSTMASTER PENDULAR RUDDER

PC

Kullanma Kilavuzu



TEKNİK ÖZELLİKLER

- 1 Dümen gövdesi
- 2 Pedal (x2)
- 3 Somun (x2)
- 4 Pul (x2)
- 5 USB kablosu

- 6 14 mm yaprak anahtar
- 7 8 mm yaprak anahtar
- 8 2,5 mm Allen anahtarı
- 9 3 mm Allen anahtarı

UYARI

Bu ürünü kullanmadan önce lütfen bu kılavuzu dikkatlice okuyun ve daha sonra başvurma ihtiyacı duymanız halinde kullanmak üzere güvenli bir yerde saklayın.



UYARILAR

- * Ürünü kuru bir yerde saklayın ve toza veya güneş ışığına maruz bırakmayın.
- * Bağlantı yönlerine dikkat edin.
- * Konektörleri ve kabloları bükmeyin ve çekmeyin.
- * Ürünün veya konektörün üzerine herhangi bir sıvı dökmeyin.
- * Ürünü kısa devre yapmayın.
- * Ürünü asla parçalarına ayırmayın (bu kılavuzda belirtilebilecek ayarlamalar dışında), ateşe atmayın ve yüksek sıcaklıklara maruz bırakmayın.
- * Cihazın içini açmayın: İçinde kullanıcı tarafından bakım/onarım yapılabilecek parça yoktur. Tüm onarım işlemleri üretici firma, yetkili temsilcisi veya kalifiye teknisyen tarafından yapılmalıdır.
- * Aygıtı çocukların ulaşabileceği yerlerden uzak tutun.
- * Elektrostatik boşalmalara eğilimli ortamlarda ürünün sıfırlanmasını gerektirecek şekilde ürün anormal çalışabilir, kendi kendini kapatabilir ve/veya hata moduna girebilir.



Güvenlik nedeniyle dümeni asla çıplak ayaklarla veya ayağınıza sadece çorap giyerek kullanmayın.
THRUSTMASTER® DÜMENİN AYAKKABISIZ KULLANILMASINDAN KAYNAKLANAN YARALANMALARDA HİÇBİR SORUMLULUK KABUL ETMEZ.



Ürün sadece 16 yaş ve üzeri kullanıcılar tarafından kullanılmalıdır



Ürünü kendinizin veya başkalarının üzerine düşürmemeye dikkat edin!

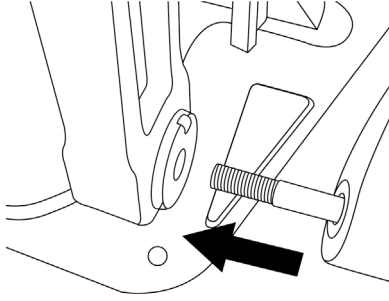
TPR RUDDER'İN MONTE EDİLMESİ

Üniteyi, dümenin metal plakasının köşelerinde bulunan dört deliği kullanarak sabit bir stant veya desteğe monte edebilirsiniz.

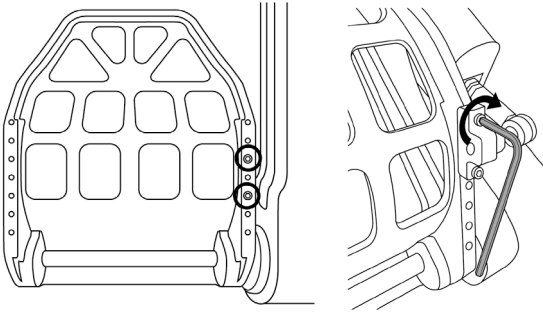
Kokpitlerde kullanmak için TPR Rudder montaj şablonu, <https://support.thrustmaster.com> adresinde mevcuttur. **Joysticks** (Joystick'ler) / **TPR Rudder**'a tıklayın ve ardından **Template – Cockpit Setup**'i (Şablon - Kokpit Kurulumu) seçin.

ÜRÜNÜN BİRLEŐTİRİLMESİ

1. Pedalı (2) gövde (1) üzerindeki kola sokun.



2. Pedalın arka tarafında bulunan iki adet vidayı, 2,5 mm Allen anahtarını (8) ile sökün ve ardından bunları sensör kolunu takarak yeniden vidalayın.



EN

FR

DE

NL

IT

ES

PT

BR

RU

EL

TR

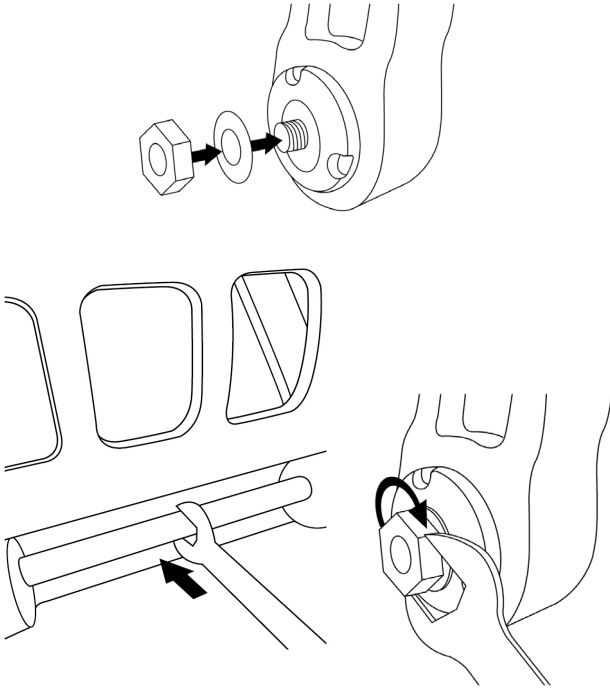
PL

日本語

繁體中文

한국어

3. Üstte bir pul (4) ve somun (3) takarak takımı, 14 mm yaprak anahtar (6) ve 8 mm yaprak anahtarlar (7) sıkın.

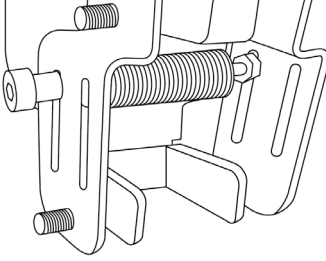


4. İkinci pedal için adım 1 ile 3'ü tekrarlayın.

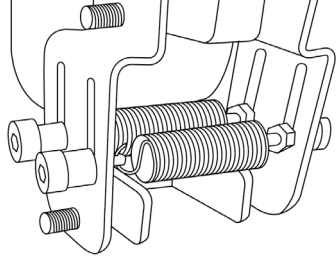
DÜMEN EKSENİNİN GERGINLİĞİNİN AYARLANMASI

Ürünün arka kısmındaki yayların sayısını ve konumunu ayarlayın.

- Minimum direnç: Üst konumda 1 yay
- Maksimum direnç: Alt konumda 2 yay



Minimum direnç



Maksimum direnç

Seçilen konuma bağlı olarak gerginlik 2,5 kg ile 5 kg arasında olur.

EN

FR

DE

NL

IT

ES

PT

BR

RU

EL

TR

PL

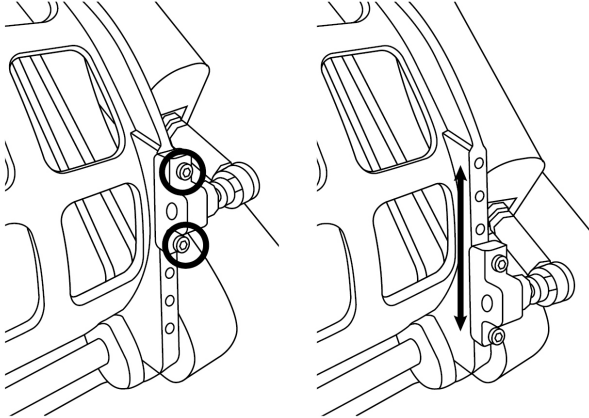
日本語

繁體中文

한국어

İKİ PEDALIN EĞİMİNİN AYARLANMASI

Ayar noktası no. 1:

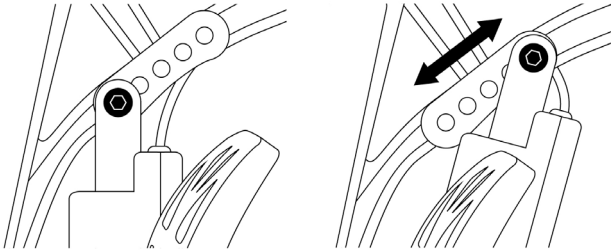


- Ürünle verilen 2,5 mm Allen anahtarını (8) kullanarak pedalın metal desteğine (2) takılı iki adet vidayı sökün.
- Desteği yeni konumuna alın ve her şeyi yeniden vidalayın.

Bu ayar noktası için olası konum sayısı: 5

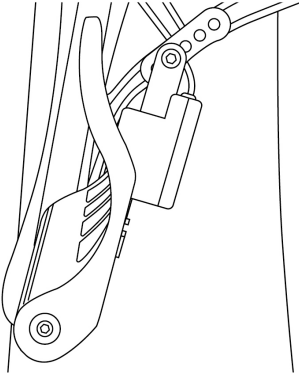
Ayar noktası no. 2:

- Ürünle verilen 3 mm Allen anahtarını (9) kullanarak sensörü gövdeye (1) sabitleyen vidayı sökün.
- Sensörü yeni konumuna alın ve her şeyi yeniden vidalayın.

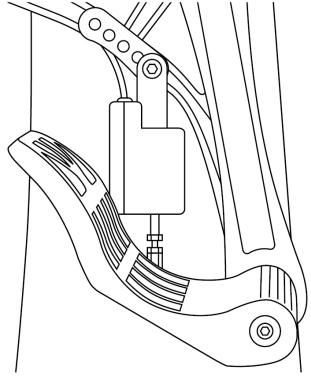


Bu ayar noktası için olası konum sayısı: 5

Örnekler:



En az eğimli konum



En çok eğimli konum

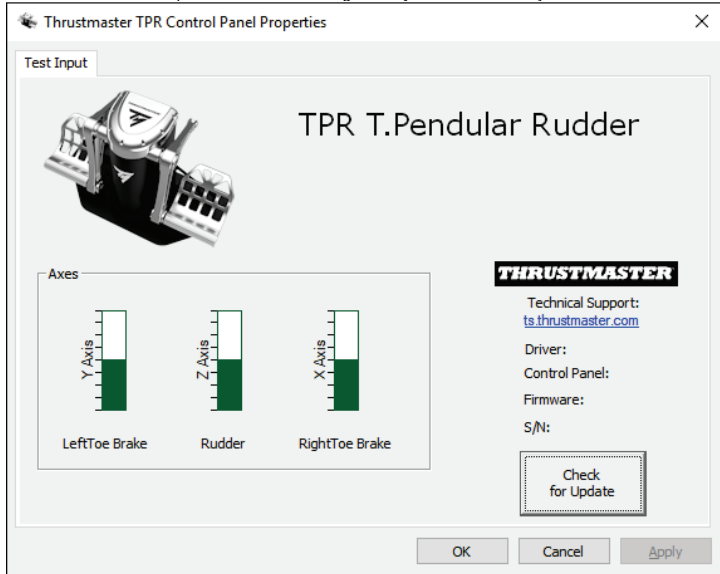
Ayar 1 ve 2'de seçilen konumlara bağlı olarak:

- Pedalın açısı 35° ile 75° arasında değişir.
- Pedalın hareket aralığı değişir.

Lütfen unutmayın: Ürünün düzgün çalışmasını sağlamak için ayar noktası 1 ve 2 için anlatılan üç vidanın tamamı her bir pedala takılmalıdır.

PC'DE KURULUM

1. PC için sürücülerini indirmek üzere <https://support.thrustmaster.com> adresini ziyaret edin. **Joysticks** (Joystick'ler) / **TPR Rudder**'a tıklayın, ardından **Drivers**'ı (Sürücüler) seçin.
2. İndirme tamamlandığında kurulumu başlatın ve ekrandaki talimatları izleyerek TPR Rudder'ın USB konektörünü PC'nize bağlayarak kurulumu tamamlayın.
3. Kurulum tamamlandığında **Finish** (Biti) düğmesine tıklayın ve bilgisayarınızı yeniden başlatın.
4. **Başlat / Tüm Programlar / Thrustmaster / Thrustmaster Hotas Warthog — TPR Rudder / Denetim Masası**'nı seçerek **Oyun Kumandaları** penceresini açın.
Oyun Kumandaları penceresi, **TPR T.Pendular Rudder** adını **OK** durumunda gösterir.
5. TPR Rudder'ı kontrol panelinde test etmek ve görmek için **Özellikler**'e tıklayın:



Lütfen unutmayın: TPR Rudder'ın kurulum sürücüsü artık Thrustmaster Hotas Warthog joystick sürücüsü ile birleştirilmiştir (bu nedenle her iki aksesuar için de kurulum paketi ayrıdır).

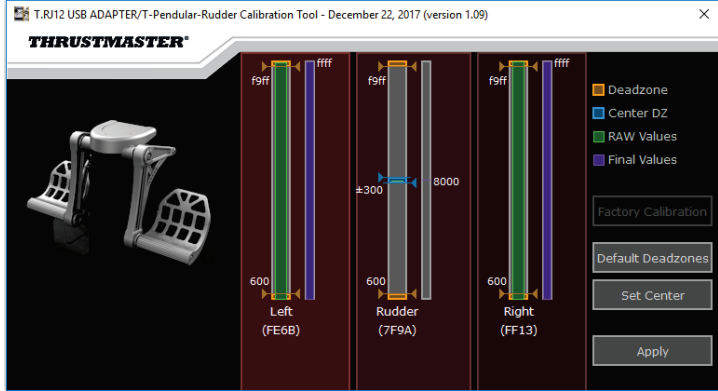
PC İÇİN GENEL NOTLAR

- Oyununuzu başlatmadan önce **OK**'e tıklayarak **Oyun Kumandaları** penceresini mutlaka tamamen kapatın.
- TPR Rudder'ın donanım yazılımı sürümü, kontrol paneli sekmelerinin sağ alt kısmında gözüktür.
- PC'de TPR Rudder şunlarla uyumludur:
 - çoklu-USB ve dümenleri destekleyen tüm oyunlarla;
 - piyasadaki tüm joystick'lerle.

GELİŞMİŞ KALİBRASYON YAZILIMI

Lütfen <https://support.thrustmaster.com> adresini ziyaret edin. **Joysticks** (Joystick'ler) / **TPR Rudder**'a tıklayın, ardından **Utilities**'i (Yardımcı Programlar) seçin. Gelişmiş kalibrasyon yazılımını indirip yükleyerek:

- Dümen eksenini ve diferansiyel frenlerin 2 eksenini üzerindeki hareket aralığının başında ve sonunda yer alan ölü bölgeleri istediğiniz gibi ayarlayabilir;
- Dümen ekseninin merkezi ölü bölgesini isteğinize göre ayarlayabilirsiniz.



Ayarlar yapıldığında TPR Rudder'ın dahili belleğine hemen kaydedilir.

T.A.R.G.E.T. GELİŞMİŞ PROGRAMLAMA YAZILIMI (Thrustmaster Advanced pRogramming Graphical EdiTor)

Lütfen <https://support.thrustmaster.com> adresini ziyaret edin. **Joysticks** (Joystick'ler) / **TPR Rudder**'a tıklayın, ardından **Software**'i (Yazılım) seçin. T.A.R.G.E.T. gelişmiş programlama yazılımını indirerek yükleyin.

T.A.R.G.E.T.'in başlıca özellikleri:

- Dümenin ve diferansiyel frenlerin eksenleri için çeşitli konum konfigürasyonları.
- Çeşitli programlama düzeyleri: Basic, Advanced ve Script.
- Sürükle ve Bırak ilkesi kullanımı.
- TPR Rudder'ı çeşitli Thrustmaster joystick'lerle (tamamı T.A.R.G.E.T. ile uyumlu olan Hotas Cougar, Hotas Warthog, T.16000M, TWCS Throttle, MFD Cougar Pack) birleştirerek tek bir USB aygıtı olarak algılanma imkanı.
- Thrustmaster topluluğu tarafından oluşturulan gelişmiş profillere ulaşma.



TPR RUDDER'İN DONANIM YAZILIMININ GÜNCELLENMESİ

TPR Rudder'da bulunan donanım yazılımı güncellenebilir (bir başka ifadeyle ürün iyileştirmeleri içeren daha yeni sürümlerle güncellenebilir).

TPR Rudder'ınızın donanım yazılımını sürümünü görmek ve gerekirse güncellemek için: PC'de lütfen <https://support.thrustmaster.com> adresini ziyaret edin, **Joysticks** (Joystick'ler) / **TPR Rudder**'a tıklayın ve ardından **Firmware**'i (Donanım Yazılımı) seçerek indirme ve yükleme prosedürü ile birlikte talimatları izleyin.

SORUN GİDERME VE UYARI

- **Dümenim düzgün çalışmıyor ya da uygun kalibre edilmemiş gözüküyor.**
 - PC'nizi kapatın ve dümenin USB konektörünü ayırın. Daha sonra USB konektörünü yeniden takın, PC'nizi tekrar açın ve oyununuzu yeniden başlatın.
- **Dümenimin konfigürasyonunu yapamıyorum.**
 - Oyununuzun Seçenekler / Kumanda Birimi / Oyun Pedi veya Joystick menüsünden uygun konfigürasyonu seçin veya kumanda birimi seçeneklerini komple yeniden ayarlayın.
 - Daha fazla bilgi için lütfen oyununuzun kullanma kılavuzuna veya online yardıma başvurun.
 - T.A.R.G.E.T. (Thrustmaster Advanced pROgramming Graphical EdiTor) gelişmiş programlama yazılımını kullanın.
- **Dümenim çok hassas veya yeterince hassas değil.**
 - Oyununuzun Seçenekler / Kumanda Birimi / Oyun Pedi veya Joystick menüsünden kumanda biriminiz için hassasiyet ve ölü bölgeleri ayarlayın (bu seçenekler mevcutsa).
 - Gelişmiş kalibrasyon yazılımını kullanın.
 - T.A.R.G.E.T. (Thrustmaster Advanced pROgramming Graphical EdiTor) gelişmiş programlama yazılımını kullanın.

YARDIM DOSYALARI VE İPUÇLARI (bu kılavuzda bulunmaz)

Çeşitli yardım dosyaları ve ipuçları, <https://support.thrustmaster.com> web sitesinde bulunmaktadır. Joysticks (Joystick'ler) / TPR Rudder'a tıklayın.

EN

FR

DE

NL

IT

ES

PT

BR

RU

EL

TR

PL

日本語

繁體中文

한국어

TÜKETİCİ GARANTİ BİLGİSİ

İşbu Thrustmaster ürünü, malzeme ve işçilik hatalarına karşı, müşterinin kusurlu ürünün ücretinin iade edilmesi veya değiştirilmesi talebinde bulunabileceği süreye karşılık gelen garanti süresince dünya çapında tescil edilmiş merkezi Place du Granier, B.P. 97143, 35571 Chantepie, Fransa'da bulunan Guillemot Corporation S.A. tarafından sonra "Guillemot" olarak ifade edilecektir) garantisini altındadır. Avrupa Birliği ülkelerinde bu süre, Thrustmaster ürününün tesliminden itibaren iki (2) seneye karşılık gelir. Diğer ülkelerde garanti süresi, Thrustmaster ürünü ile ilgili olarak, Thrustmaster ürününün satın alındığı tarihte müşterinin ikamet ettiği ülkede geçerli yasalara uygun şekilde, müşterinin kusurlu ürünün ücretinin iade edilmesi veya değiştirilmesi talebinde bulunabileceği süreye karşılık gelir (İlgili ülkede bu tür bir düzenleme mevcut değilse garanti süresi Thrustmaster ürününün satın alındığı asıl tarihten itibaren bir (1) yıl olacaktır).

Garanti süresi içinde üründe hata veya kusur tespit edilmesi durumunda derhal izlenecek yöntem ile ilgili size bilgi verecek olan Teknik Destek servisimize başvurun. Hata veya kusur onaylanırsa ürünün satın alındığı yere (ya da Teknik Destek servisi tarafından belirtilen yere) iade edilmesi gerekmektedir.

İşbu garanti kapsamında müşterinin kusurlu ürünü, Teknik Destek servisinin insiyatifine bağlı olarak, değiştirilecek veya çalışır hale getirilecektir. Garanti süresince Thrustmaster ürününün onarım işlemine tabi tutulması durumunda, ürünün kullanım dışı olduğu en az yedi (7) günlük tüm süreler kalan garanti süresine eklenecektir (bu süre, ürünün onarılması için hazır bulundurulduğu tarih müdahale edilmesi için talepte bulunduğu tarihi takip ediyor ise müşterinin müdahale edilmesi için talepte bulunduğu tarihten veya bahse konu ürünün onarılması için hazır bulundurulduğu tarihten başlar). Yürürlükte olan yasaların izin verdiği durumlarda, Guillemot ve bağlılarının tüm sorumluluğu (dolaylı hasarlar da dahil olmak üzere) Thrustmaster ürününün çalışır hale getirilmesi veya değiştirilmesi ile sınırlıdır. Yürürlükte olan yasaların izin vermesi halinde Guillemot, ticarete elverişlilik veya belirli bir amaca uygunluk ile ilgili tüm garantileri reddeder.

İşbu garanti aşağıdaki durumlar için geçerli değildir: (1) Ürün modifiye edilmişse, açılmışsa, üzerinde değişiklik yapılmışsa, uygunsuz veya kötü kullanım, ihmal, kaza, normal aşınma ya da malzeme veya üretim hatası ile ilgili olmayan nedenlerden dolayı hasar görmüşse (ancak bununla sınırlı kalmamak üzere, Thrustmaster ürününü herhangi uygun bir elemanla birleştirmek, buna dahil olarak özellikle güç kaynakları, yeniden doldurulabilir piller, şarj cihazları veya bu ürün için Guillemot tarafından tedarik edilmemiş tüm diğer elemanlar); (2) ürün, evde kullanım dışında, profesyonel veya ticari maksatlı olanlar da dahil olmak üzere (örneğin oyun salonları, eğitim, yarışlar) başka maksatlarla kullanılmışsa; (3) Teknik Destek servisi tarafından sağlanan talimatlara uyulmamışsa; (4) yazılım için, işbu garanti geçerli değildir, söz konusu yazılım için sağlanan özel garanti hükümlerine tabidir; (5) sarf malzemeleri için (ürün kullanım süresi içinde değiştirilecek elemanlar: örneğin; tek kullanımlık piller, kulaklık yastıkları); (6) aksesuarlar için (örneğin; kablolar, kılıflar, cepler, çantalar, bileklikler); (7) ürün açık artırma ile satılmışsa.

Bu garanti devrolunamaz.

Tüketim mallarının tüketicinin ülkesinde satışına ilişkin tüketicinin yasal hakları işbu garantiden etkilenmemektedir.

Ek garanti hükümleri

Garanti süresince, tüm Thrustmaster ürünlerini açmaya ve/veya onarmaya yetkili tek taraf Teknik Destek Servisi olduğundan prensip olarak Guillemot tarafından hiçbir yedek parça sağlanmayacaktır (Uygulanabilir olması durumunda yazılı talimatlarla ve müşteriye gerekli yedek parça(lar) sağlanarak Teknik Destek Servisinin müşteri tarafından yapılmasını isteyebileceği tüm onarım prosedürleri hariç – örneğin onarım işleminin basit olmasından ve gizlilik içermemesinden dolayı).

İnovasyon döngülerini dikkate almak ve bilgi birikimi ile ticari sırlarını korumak için Guillemot, prensip olarak garanti süresi dolmuş hiç bir Thrustmaster ürünü için onarım bilgisi veya yedek parça sağlamayacaktır.

Sorumluluk

Yürürlükte olan yasaların izin vermesi halinde, Guillemot Corporation S.A. (bundan sonra "Guillemot" olarak ifade edilecektir) ve bağlıları aşağıdakilerin biri veya daha fazlasından kaynaklanan her türlü hasara karşı tüm sorumluluğu reddeder: (1) Ürün modifiye edilmişse, açılmışsa, üzerinde değişiklik yapılmışsa; (2) montaj talimatlarına uyulmamışsa; (3) uygunsuz veya kötü kullanım, ihmal, kaza (örneğin bir darbe); (4) normal aşınma; (5) ürünün, evde kullanım dışında, profesyonel veya ticari amaçlı olanlar da dahil olmak üzere (örneğin oyun salonları, eğitim, yarışlar) başka amaçlarla kullanılması. Yürürlükte olan yasaların izin vermesi halinde, Guillemot ve bağlıları ürünle ilgili malzeme veya üretim hatası ile ilgili olmayan her türlü hasara karşı tüm sorumluluğu reddeder (ancak bununla sınırlı kalmamak üzere, herhangi bir yazılımdan veya Thrustmaster ürününün herhangi bir uygun olmayan elemanla birleştirilmesinden doğrudan veya dolaylı olarak kaynaklanan tüm hasarlar, buna dahil olarak özellikle güç kaynakları, yeniden doldurulabilir piller, şarj cihazları veya bu ürün için Guillemot tarafından tedarik edilmemiş tüm diğer elemanlar).

THRUSTMASTER®

TEKNİK DESTEK

<http://support.thrustmaster.com>



TELİF HAKKI

© 2018 Guillemot Corporation S.A. Tüm hakları saklıdır. Thrustmaster® Guillemot Corporation S.A'nın tescilli markasıdır. Diğer tüm ticari markalar kendi sahiplerinin. Resimler bağlayıcı değildir. İçerik, tasarım ve özellikler önceden haber verilmeksizin değiştirilebilir ve bir ülkeden başka bir ülkeye değişiklik gösterebilir. Çin'de yapılmıştır.

ÇEVRE KORUMA ÖNERİLERİ



Avrupa Birliği'nde: Cihazın kullanım ömrü sona erdiğinde, standart ev atıkları ile atılmamalı, geri dönüşüm için Atık Elektrikli ve Elektronik Cihazların toplandığı bir yere bırakılmalıdır.

Bu, ürünün, kullanım kılavuzunun veya paketin üzerinde bulunan sembol ile onaylanmıştır.

Özelliklerine bağlı olarak malzemeler geri dönüştürülebilir. Atık Elektrik ve Elektronik Cihazların geri dönüşümü veya diğer işleme yöntemleri sayesinde çevrenin korunmasına yönelik önemli bir katkıda bulunabilirsiniz. Size en yakın toplama merkezleri hakkında bilgi almak için lütfen yerel yetkililerle iletişime geçin.

Diğer ülkeler için: Lütfen elektrikli ve elektronik cihazların geri dönüşümü için yerel yasalara uyunuz.

AEEE Yönetmeliğine Uygundur.

Bu belgeyi saklayın. Renkler ve süslemeler değişiklik gösterebilir.
Plastik tutturucular ve bantlar, kullanmadan önce üründen çıkarılmalıdır.

www.thrustmaster.com

**Sadece AB ve Türkiye için geçerlidir*

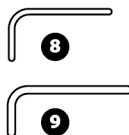
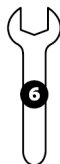
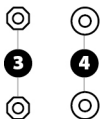
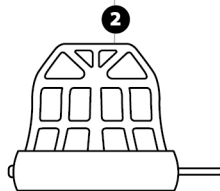
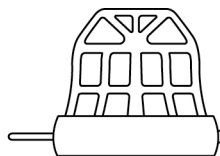
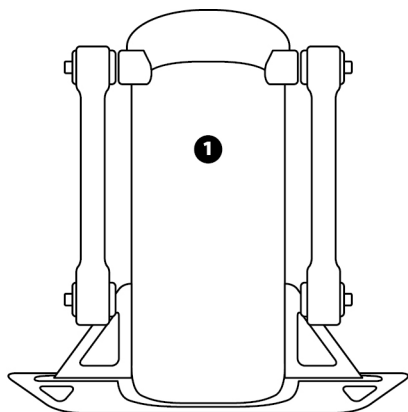


TPR

THRUSTMASTER PENDULAR RUDDER

PC

Instrukcja obsługi



ELEMENTY

- 1 Korpus steru kierunku
- 2 Pedal (x2)
- 3 Nakrętka (x2)
- 4 Podkładka (x2)
- 5 Kabel USB

- 6 Klucz płaski 14 mm
- 7 Klucz płaski 8 mm
- 8 Klucz imbusowy 2,5 mm
- 9 Klucz imbusowy 3 mm

OSTRZEŻENIE

Zanim rozpoczniesz korzystanie z urządzenia, szczególnie zapoznaj się z tą instrukcją, a następnie zachowaj ją do wglądu.



Ostrzeżenia

- * Przechowuj urządzenie w suchym miejscu i nie wystawiaj go na działanie kurzu ani światła słonecznego.
- * Dbaj o właściwy kierunek połączeń.
- * Nie skręcaj ani nie naciągaj złączy ani kabli.
- * Nie wylewaj cieczy na urządzenie ani jego złącze.
- * Nie zwieraj urządzenia.
- * Nie demontuj urządzenia (poza ewentualnymi czynnościami regulacyjnymi wspomnianymi w tej instrukcji), nie wrzucaj go do ognia ani nie narażaj na działanie wysokich temperatur.
- * Nie otwieraj urządzenia: w jego wnętrzu nie ma części przeznaczonych do naprawiania przez użytkownika. Naprawy może wykonywać wyłącznie producent, jego autoryzowany przedstawiciel lub wykwalifikowany serwisant.
- * Trzymaj urządzenie z dala od dzieci.
- * W środowisku narażonym na wyładowania elektrostatyczne urządzenie może działać nieprawidłowo, wyłączyć się i/lub wejść w tryb błędny. Wówczas wymagane jest zresetowanie urządzenia.



Ze względów bezpieczeństwa steru kierunku nie wolno używać w bosych stopach ani w samych skarpetkach.

FIRMA THRUSTMASTER® NIE PONOSI ŻADNEJ ODPOWIEDZIALNOŚCI ZA EWENTUALNE OBRAŻENIA CIAŁA WYNIKŁE Z UŻYWANIA STERU KIERUNKU BEZ OBUWIA.

CIĘŻKIE URZĄDZENIE



Urządzenie wyłącznie dla użytkowników w wieku minimum 16 lat



Uważaj, aby nie upuścić urządzenia na siebie ani inną osobę!

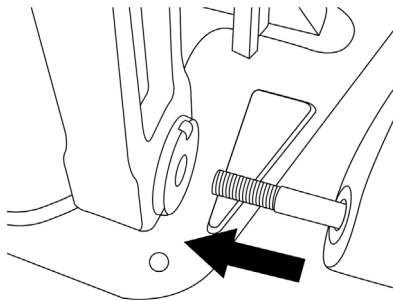
MONTOWANIE URZĄDZENIA TPR RUDDER

Cztery otwory znajdujące się w narożnikach metalowej płyty steru kierunku umożliwiają przymocowanie urządzenia do nieruchomego stojaka lub podpórki.

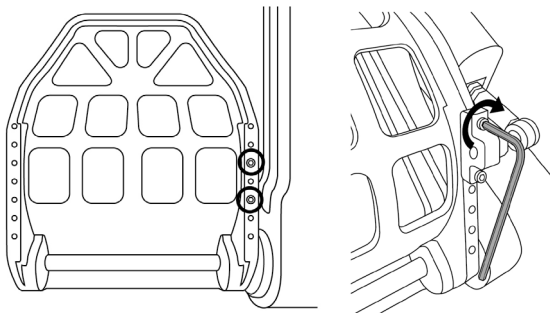
Szablon instalacji steru TPR Rudder przeznaczony do kokpitów jest dostępny na stronie <https://support.thrustmaster.com>. Kliknij **Joysticks** (Joysticki) / **TPR Rudder**, a następnie wybierz **Template – Cockpit Setup** (Szablon – Instalacja w kokpicie).

SKŁADANIE URZĄDZENIA

1. Włóż pedał (2) w ramię korpusu (1).



2. Kluczem imbusowym 2,5 mm (8) odkręć dwie śruby z tyłu pedału, a następnie przykręć je ponownie, mocując ramię czujnika.



EN

FR

DE

NL

IT

ES

PT

BR

RU

EL

TR

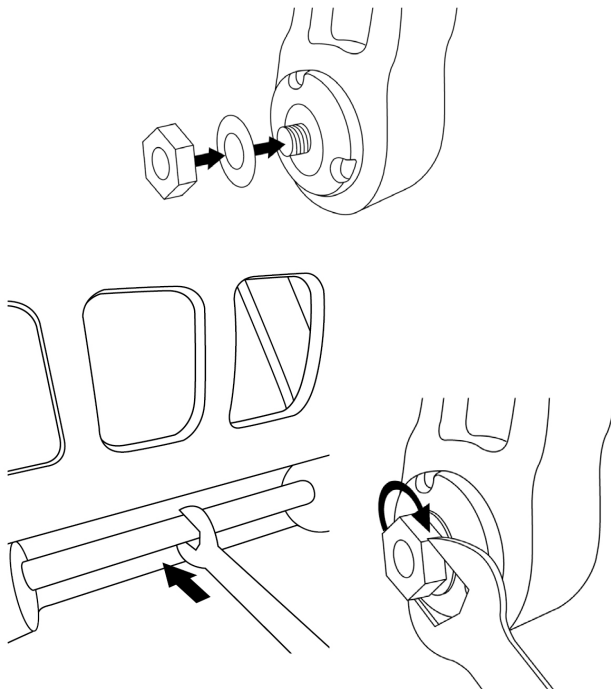
PL

日本語

繁體中文

한국어

3. Nałóż podkładkę (4) i nakrętkę (3), a następnie skręć element kluczem płaskim 14 mm (6) i kluczem płaskim 8 mm (7).

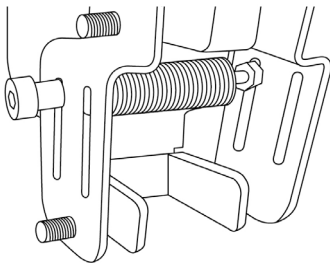


4. Powtórz kroki 1–3 w drugim pedale.

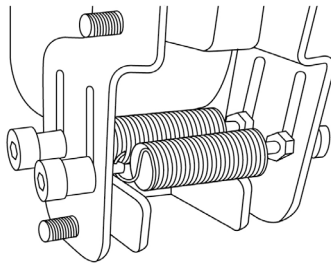
REGULOWANIE NAPRĘŻENIA OSI STERU KIERUNKU

Dostosuj liczbę i położenie sprężyn z tyłu urządzenia.

- Opór minimalny: 1 sprężyna w położeniu górnym
- Opór maksymalny: 2 sprężyny w położeniu dolnym



Opór minimalny



Opór maksymalny

W zależności od wybranego położenia naprężenie wynosi od 2,5 kg do 5 kg.

EN

FR

DE

NL

IT

ES

PT

BR

RU

EL

TR

PL

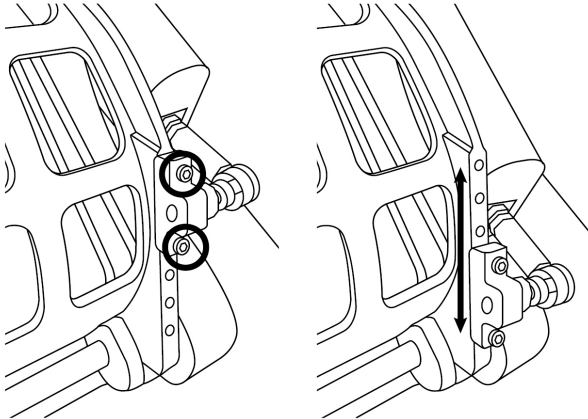
日本語

繁體中文

한국어

REGULACJA NACHYLENIA DWÓCH PEDAŁÓW

1. punkt regulacji:

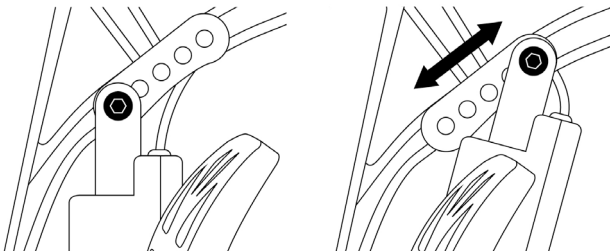


- Za pomocą dostarczonego klucza imbusowego 2,5 mm (8) odkręć dwie śruby przykręcone do metalowej stopki pedału (2).
- Przesuń podpórkę w nowe położenie i ponownie skręć całość.

Liczba możliwych położeń tego punktu regulacji: 5

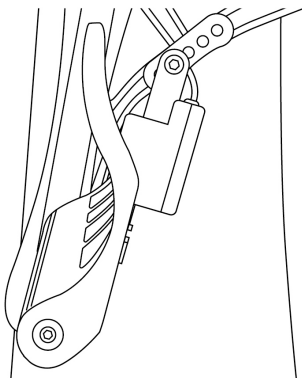
2. punkt regulacji:

- Za pomocą dostarczonego klucza imbusowego 3 mm (9) odkręć śrubę mocującą czujnik do korpusu (1).
- Przesuń podpórkę w nowe położenie i ponownie skręć całość.

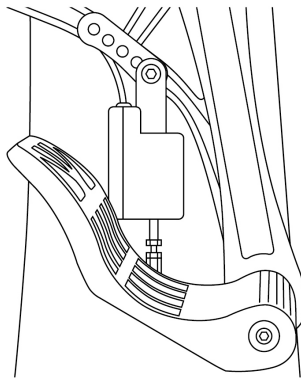


Liczba możliwych położeń tego punktu regulacji: 5

Przykłady:



Najmniejsze nachylenie



Największe nachylenie

W zależności od położeń wybranych w 1. i 2. punkcie regulacji:

- Kąt nachylenia pedału wynosi od 35° do 75°.
- Pedał ma różny zakres ruchu.

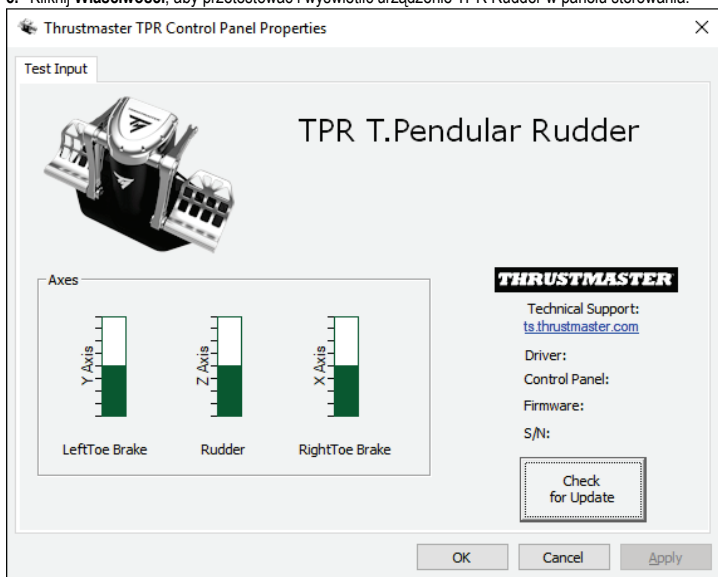
Uwaga: aby zapewnić prawidłowe działanie urządzenia, w każdym pedale muszą być dokręcone wszystkie trzy śruby opisane w 1. i 2. punkcie regulacji.

INSTALACJA NA KOMPUTERZE PC

1. Wejdź na stronę <https://support.thrustmaster.com>, aby pobrać sterowniki dla komputera PC. Kliknij **Joysticks** (Joysticki) / **TPR Rudder**, a następnie wybierz **Drivers** (Sterowniki).
2. Po zakończeniu pobierania uruchom instalację, a następnie zgodnie z instrukcjami wyświetlanymi na ekranie podłącz złącze USB urządzenia TPR Rudder do komputera i dokończ instalację.
3. Po zakończeniu instalacji kliknij **Finish** (Zakończ) i uruchom komputer ponownie.
4. Wybierz **Start / Wszystkie programy / Thrustmaster / Thrustmaster Hotas Warthog – TPR Rudder / Panel sterowania**, aby otworzyć okno **Kontrolery gier**.

W oknie **Kontrolery gier** zostanie wyświetlona nazwa **TPR T.Pendular Rudder** ze statusem **OK**.

5. Kliknij **Właściwości**, aby przetestować i wyświetlić urządzenie TPR Rudder w panelu sterowania:



Uwaga: sterownik urządzenia TPR Rudder został zintegrowany ze sterownikiem joysticka Thrustmaster Hotas Warthog (długo pakiet instalacyjny obu akcesoriów jest identyczny).

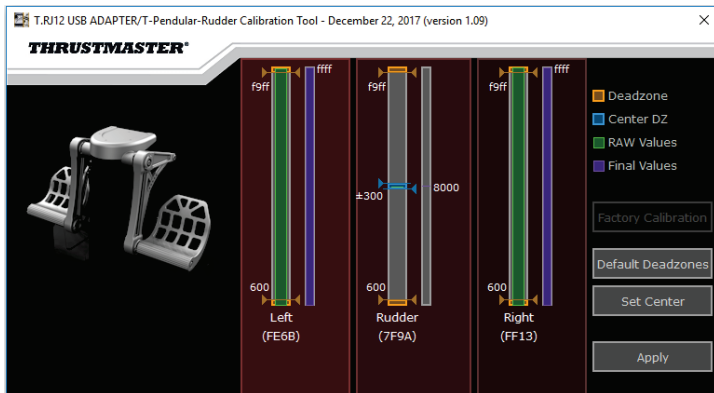
OGÓLNE UWAGI DOTYCZĄCE KOMPUTERA PC

- Przed uruchomieniem gry należy całkowicie zamknąć okno **Kontrolery gier** przez kliknięcie **OK**.
- Wersja oprogramowania sprzętowego urządzenia TPR Rudder jest wyświetlana w prawej dolnej części kart panelu sterowania.
- Na komputerze PC urządzenie TPR Rudder jest zgodne:
 - ze wszystkimi grami obsługującymi funkcję multi-USB i stery kierunku,
 - ze wszystkimi joystickami dostępnymi na rynku.

ZAAWANSOWANY PROGRAM DO KALIBRACJI

Wejdź na stronę <https://support.thrustmaster.com>. Kliknij **Joysticks** (Joysticki) / **TPR Rudder**, a następnie wybierz **Utilities** (Narzędzia). Pobierz i zainstaluj zaawansowany program do kalibracji, aby:

- ustawić zgodnie ze swoimi preferencjami strefy martwe na początku i końcu zakresu ruchu na osi steru kierunku oraz na dwóch osiach hamulców różnicowych,
- ustawić zgodnie ze swoimi preferencjami środkową strefę martwą na osi steru kierunku.



Wprowadzone ustawienia są natychmiast zapisywane w pamięci wewnętrznej urządzenia TPR Rudder.

ZAAWANSOWANA APLIKACJA DO PROGRAMOWANIA T.A.R.G.E.T. (Thrustmaster Advanced pROgramming Graphical EdiTor)

Wejdź na stronę <https://support.thrustmaster.com>. Kliknij **Joysticks** (Joysticki) / **TPR Rudder**, a następnie wybierz **Software** (Oprogramowanie). Pobierz i zainstaluj zaawansowaną aplikację do programowania T.A.R.G.E.T.

Główne cechy aplikacji T.A.R.G.E.T.:

- Różne możliwe konfiguracje osi steru kierunku i hamulców różnicowych
- Różne możliwe poziomy programowania: Basic, Advanced i Script
- Korzystanie z techniki przeciągania i upuszczania
- Możliwość łączenia urządzenia TPR Rudder z różnymi joystickami Thrustmaster (Hotas Cougar, Hotas Warthog, T.16000M, TWCS Throttle, MFD Cougar Pack — również zgodnymi z aplikacją T.A.R.G.E.T.), tak że są one rozpoznawane jako jedno urządzenie USB
- Dostęp do zaawansowanych profili tworzonych przez członków społeczności Thrustmaster



AKTUALIZOWANIE OPROGRAMOWANIA SPRZĘTOWEGO URZĄDZENIA TPR RUDDER

Oprogramowanie sprzętowe zawarte w urządzeniu TPR Rudder można aktualizować (czyli instalować jego nowsze wersje obejmujące ulepszenia produktu).

Aby wyświetlić wersję oprogramowania sprzętowego urządzenia TPR Rudder i w razie potrzeby ją zaktualizować, na komputerze wejdź na stronę <https://support.thrustmaster.com>, kliknij **Joysticks** (Joysticki) / **TPR Rudder**, wybierz **Firmware** (Oprogramowanie sprzętowe), a następnie postępuj zgodnie z instrukcjami, w tym z procedurą pobierania i instalacji.

ROZWIĄZYWANIE PROBLEMÓW I OSTRZEŻENIA

- **Ster kierunku nie działa prawidłowo lub wydaje się niewłaściwie skalibrowany.**
 - Wyłącz komputer i odłącz złącze USB steru kierunku. Następnie ponownie podłącz złącze USB, włącz komputer i uruchom ponownie grę.
- **Nie mogę skonfigurować steru kierunku.**
 - W menu opcji/kontrolera/gamepada/joysticka dostępnym w grze wybierz odpowiednią konfigurację lub całkowicie przekonfiguruj opcje kontrolera.
 - Więcej informacji znajdziesz w instrukcji obsługi gry lub jej pomocy online.
 - Skorzystaj z zaawansowanej aplikacji do programowania T.A.R.G.E.T. (Thrustmaster Advanced pRogramming Graphical EdiTor).
- **Ster kierunku jest zbyt czuły lub niewystarczająco czuły.**
 - W menu opcji/kontrolera/gamepada/joysticka dostępnym w grze ustaw odpowiednią czułość i martwe strefy kontrolera (jeśli tego rodzaju opcje są dostępne).
 - Skorzystaj z zaawansowanego programu do kalibracji.
 - Skorzystaj z zaawansowanej aplikacji do programowania T.A.R.G.E.T. (Thrustmaster Advanced pRogramming Graphical EdiTor).

PLIKI POMOCY I WSKAZÓWKI (niezamieszczone w tej instrukcji)

Różne pliki pomocy i wskazówki są dostępne w witrynie internetowej <https://support.thrustmaster.com>. Kliknij **Joysticks** (Joysticki) / **TPR Rudder**.

EN

FR

DE

NL

IT

ES

PT

BR

RU

EL

TR

PL

日本語

繁體中文

한국어

INFORMACJE DOTYCZĄCE GWARANCJI DLA KLIENTA

Firma Guillemot Corporation S.A. z siedzibą pod adresem Place du Granier, B.P. 97143, 35571 Chantepie, Francja („Guillemot”) udziela klientowi obowiązującej na całym świecie gwarancji, że niniejszy produkt Thrustmaster będzie wolny od wad materiałowych i produkcyjnych przez okres gwarancji równy limitowi czasu, w którym klient może występować z roszczeniami z tytułu wad niniejszego produktu. W krajach Unii Europejskiej jest to okres dwóch (2) lat od dostarczenia produktu Thrustmaster. W innych krajach okres gwarancji jest równy limitowi czasu, w którym klient może występować z roszczeniami z tytułu wad produktu Thrustmaster zgodnie z przepisami obowiązującymi w kraju, w którym klient mieszkał w dniu zakupu produktu Thrustmaster. (Jeśli przepisy danego kraju nie przewidują występowania z takimi roszczeniami, okres gwarancji będzie wynosił jeden (1) rok od pierwotnej daty zakupu produktu Thrustmaster).

Jeśli w okresie gwarancji wystąpią objawy mogące świadczyć o wadzie produktu, należy niezwłocznie skontaktować się z działem pomocy technicznej, który wskaże dalszy sposób postępowania. W razie potwierdzenia wady produktu należy zwrócić w punkcie zakupu (lub innym miejscu wskazanym przez dział pomocy technicznej).

W ramach niniejszej gwarancji wadliwy produkt zostanie wymieniony lub przywrócony do stanu sprawności użytkowej, zgodnie z decyzją działu pomocy technicznej. Jeśli w okresie gwarancji produkt Thrustmaster zostanie poddany czynnościom mającym na celu przywrócenie go do stanu użytkowego, dowolny okres co najmniej siedmiu (7) dni, podczas których produkt nie jest użytkowany, zostanie dodany do pozostałego okresu gwarancji (okres ten liczy się od dnia, w którym klient poprosi o interwencję, lub od dnia, w którym dany produkt zostanie udostępniony celem przywrócenia do stanu użytkowego, jeśli data udostępnienia celem przywrócenia do stanu użytkowego następuje po dacie próby o interwencję). Jeśli zezwala na to obowiązujące prawo, całkowita odpowiedzialność firmy Guillemot i jej podmiotów zależnych (łącznie z odpowiedzialnością za szkody wtórne) ogranicza się do przywrócenia do stanu użytkowego lub wymiany produktu Thrustmaster. Jeśli zezwala na to obowiązujące prawo, firma Guillemot wyłącza wszelkie gwarancje pokupności i przydatności do określonego celu.

Niniejsza gwarancja nie obowiązuje: (1) w przypadku, gdy produkt został zmodyfikowany, otwarty, zmieniony albo uszkodzony na skutek nieodpowiedniego lub nadmiernego użytkowania, niedbałości, wypadku, normalnego zużycia lub z innego powodu niezwiązanego z wadą materiałową ani produkcyjną (w tym między innymi z powodu połączenia produktu Thrustmaster z nieodpowiednim elementem, w tym w szczególności z zasilaczem, akumulatorem, ładowarką lub jakimkolwiek innym elementem niedostarczonym przez firmę Guillemot dla tego produktu); (2) w przypadku używania produktu w sposób inny niż użytek domowy, w tym do celów zawodowych lub komercyjnych (na przykład w salonach gier albo do prowadzenia szkoleń lub zawodów); (3) w razie nieprzebrzegania instrukcji podanych przez dział pomocy technicznej; (4) w odniesieniu do oprogramowania, jako że oprogramowanie to jest objęte odrębną szczegółową gwarancją; (5) w odniesieniu do materiałów eksploatacyjnych (elementów wymienianych w czasie eksploatacji produktu, na przykład baterii jednorazowych, muszli/nakładek na uszy do zestawów słuchawkowych lub słuchawek); (6) w odniesieniu do akcesoriów (na przykład kabli, pokrowców, etui, torebek, paseków na rękę); (7) w przypadku sprzedania produktu na aukcji publicznej.

Niniejsza gwarancja nie podlega przeniesieniu.

Niniejsza gwarancja nie wpływa na prawa klienta wynikające z przepisów dotyczących sprzedaży dóbr konsumenckich w kraju klienta.

Dodatkowe postanowienia gwarancyjne

W okresie gwarancji firma Guillemot zasadniczo nie udostępnia jakichkolwiek części zamiennych, ponieważ jedynym podmiotem upoważnionym do otwarcia jakiegokolwiek produktu Thrustmaster i/lub przywrócenia go do stanu użytkowego jest dział pomocy technicznej (oprócz ewentualnych procedur przywracania produktu do stanu użytkowego, o wykonanie których dział pomocy technicznej może poprosić klienta przez przekazanie pisemnych instrukcji — np. ze względu na prostotę i jawność procesu przywracania do stanu użytkowego — oraz, w razie potrzeby, przez udostępnienie klientowi wymaganych części zamiennych).

Ze względu na realizowane cykle innowacji oraz konieczność zapewnienia ochrony swojej specjalistycznej wiedzy i tajemnic handlowych firma Guillemot zasadniczo nie udostępnia powiadomień dotyczących przywracania do stanu użytkowego ani części zamiennych w przypadku produktów Thrustmaster, których okres gwarancji upłynął.

Odpowiedzialność

Jeśli zezwala na to obowiązujące prawo, firma Guillemot Corporation S.A. („Guillemot”) i jej podmioty zależne nie ponoszą żadnej odpowiedzialności za szkody spowodowane przez co najmniej jeden z następujących czynników: (1) modyfikację lub otwarcie produktu bądź wprowadzenie w nim zmian; (2) nieprzestrzeganie instrukcji montażu; (3) nieodpowiednie lub nadmierne użytkowanie, niedbałość, wypadek (na przykład uderzenie); (4) normalne zużycie; (5) używanie produktu w sposób inny niż użytek domowy, w tym do celów zawodowych lub komercyjnych (na przykład w salonach gier albo do prowadzenia szkoleń lub zawodów). Jeśli zezwala na to obowiązujące prawo, firma Guillemot i jej podmioty zależne nie ponoszą żadnej odpowiedzialności za szkody niezwiązane z wadą materiałową lub produkcją produktu (w tym między innymi za szkody spowodowane bezpośrednio lub pośrednio przez jakiegokolwiek oprogramowanie lub na skutek połączenia produktu Thrustmaster z nieodpowiednim elementem, w tym w szczególności z zasilaczem, akumulatorem, ładowarką lub jakimkolwiek innym elementem niedostarczonym przez firmę Guillemot dla tego produktu).

THRUSTMASTER®

WSPARCIE TECHNICZNE

<http://support.thrustmaster.com>



PRAWA AUTORSKIE

© 2018 Guillemot Corporation S.A. Wszelkie prawa zastrzeżone. Thrustmaster® jest zastrzeżonym znakiem towarowym firmy Guillemot Corporation S.A. Wszystkie inne znaki towarowe stanowią własność odpowiednich podmiotów. Ilustracje nie są wiążące prawnie. Treść, wzory i dane techniczne przedstawione w instrukcji mogą ulec zmianie bez powiadomienia i mogą różnić się w zależności od kraju. Wyprodukowano w Chinach.

ZALECENIE DOTYCZĄCE OCHRONY ŚRODOWISKA



* Na terenie Unii Europejskiej: gdy okres przydatności produktu do eksploatacji dobiegnie końca, produktu nie należy pozbywać się wraz ze zwykłymi odpadami z gospodarstwa domowego, ale oddać do recyklingu w punkcie zbiórki zużytego sprzętu elektrycznego i elektronicznego. Potwierdza to symbol znajdujący się na produkcie, w instrukcji obsługi lub na opakowaniu.

Zależnie od swoich właściwości materiały zawarte w produkcie mogą nadawać się do recyklingu. Dzięki recyklingowi i innym formom utylizacji zużytych urządzeń elektrycznych i elektronicznych klient może w znacznym stopniu przyczynić się do

ochrony środowiska. Aby uzyskać informacje o najbliższych punktach zbiórki odpadów, należy skontaktować z miejscowymi władzami.

We wszystkich innych krajach: należy przestrzegać miejscowych przepisów dotyczących recyklingu sprzętu elektrycznego i elektronicznego.

Niniejsze informacje należy zachować. Kolorystyka i elementy ozdobne mogą różnić się od przedstawionych.

Przed korzystaniem z produktu należy zdjąć z niego plastikowe elementy mocujące oraz naklejki.

www.thrustmaster.com

**Dotyczy wyłącznie UE i Turcji*

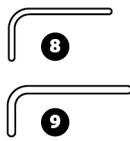
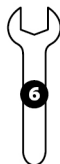
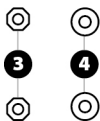
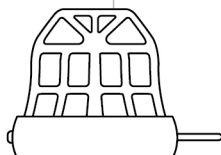
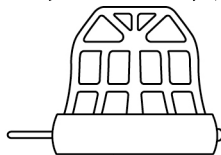
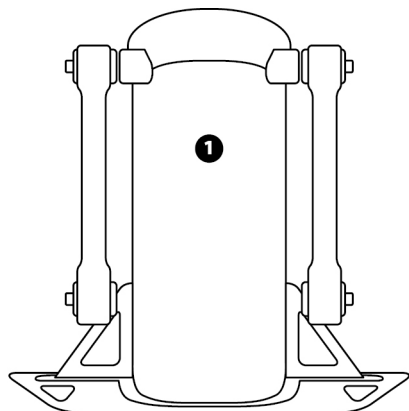


TPR

THRUSTMASTER PENDULAR RUDDER

PC

ユーザーズマニュアル



技術仕様

- 1 ラダー本体
- 2 ペダル (x2)
- 3 ナット (x2)
- 4 ワッシャー (x2)
- 5 USB ケーブル

- 6 14 mm フラットレンチ
- 7 8 mm フラットレンチ
- 8 2.5 mm 六角レンチ
- 9 3 mm 六角レンチ

警告

本製品を使用する前にこのマニュアルをよくお読みになり、いつでも参照できるよう手近な所に保管してください。



警告

- * 本製品は湿気・ホコリの多い場所や、直射日光のあたる場所で保管しないでください。
- * 接続手順に正しくしたがってください。
- * コネクターやケーブルを、ねじったり引っ張ったりしないでください。
- * 本製品やコネクターをぬらさないでください。
- * 本製品をショートさせないでください。
- * 分解（本マニュアルに記載されている調節などは除く）や改造は絶対にしないでください。本製品を火の中に投棄したり、高温にさらしたりしないでください。
- * デバイスを分解しないでください: 内部にはユーザーが保守可能な部品はありません。修理はメーカー、指定の修理業者、あるいは資格を有する技術者までご依頼ください。
- * 本製品は、お子様の手の届かない場所で使用および保管してください。
- * 静電気の多い環境でこの製品を使用すると、製品の誤動作や電源断、エラーモードへの移行などが発生する場合があります、製品のリセットが必要となる可能性があります。



ラダーは、裸足もしくは靴下しか着用していない状態で絶対に使用しないでください。

THRUSTMASTER® は、靴を着用せずにラダーを使用したことによって生じたいかなるケガについても一切責任を負いません。

重量注意



本製品の対象年齢は
16 歳以上です。



本製品を、自分や人に落とさないよう
にご注意ください。

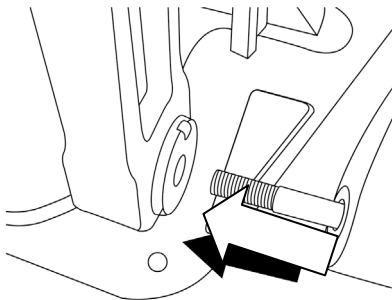
TPR RUDDER の取り付け

ラダーの金属プレートの隅にある 4 つの穴を使用して、本体を固定スタンドまたはサポートに取り付けることができます。

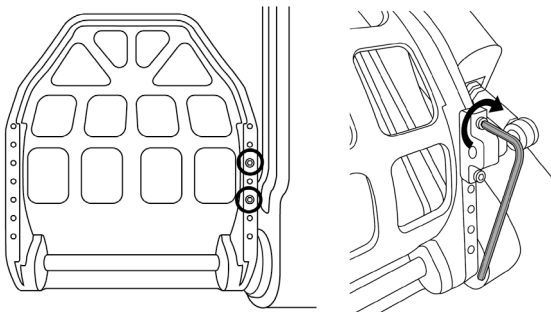
コックピットで使用するための TPR Rudder 取り付けテンプレートは <https://support.thrustmaster.com> から入手できます。ジョイスティック / TPR Rudder をクリックし、次に Template - Cockpit Setup (テンプレート - コックピットセットアップ) を選択します。

製品の組み立て

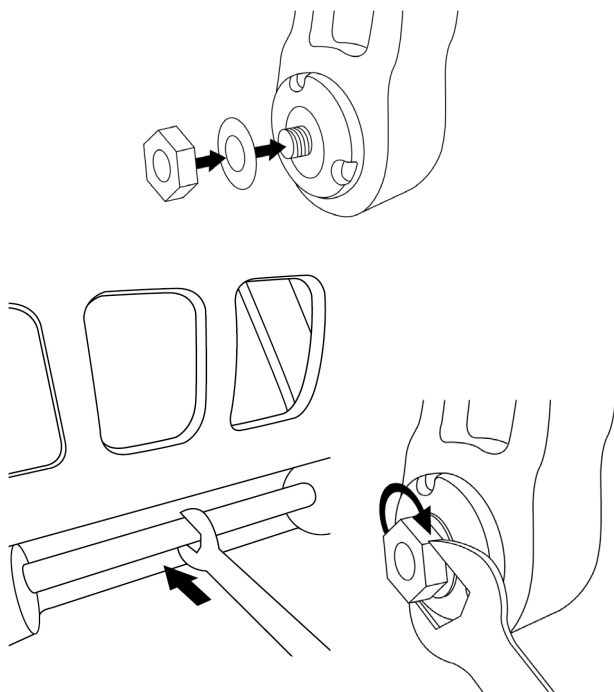
1. ペダル (2) を本体のアーム (1) に挿入します。



2. 2.5 mm 六角レンチ (8) で、ペダルの背面にある 2 本のネジを外し、センサーのアームを取り付けてからもう一度ネジを取り付けます。



3. 上部にワッシャー (4) とナット (3) を差し込み、14 mm フラットレンチ (6) と 8 mm フラットレンチ (7) を使って締めます。

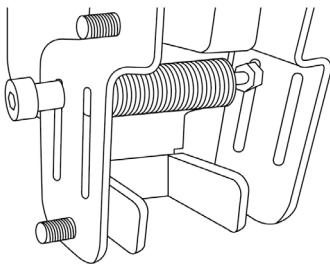


4. もう1つのペダルについても手順 1~3 を繰り返します。

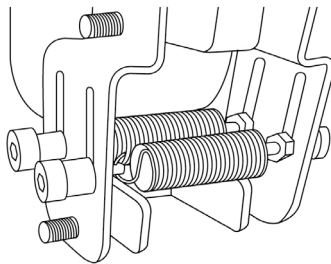
ラダー軸のテンションを調節する

テンションを調節するには、製品背面のスプリングの数と位置を変更します。

- 最小抵抗: 高い位置にスプリング 1 個
- 最大抵抗: 低い位置にスプリング 2 個



最小抵抗

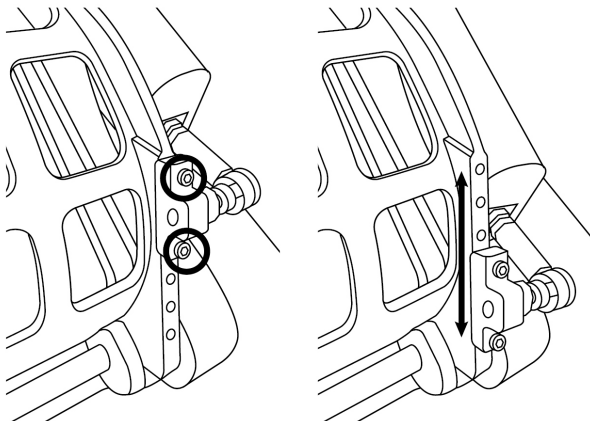


最大抵抗

選択した位置によって、テンションは 2.5kg～5kg の間で調節できます。

2 個のペダルの傾きを調節する

調節ポイント No. 1:

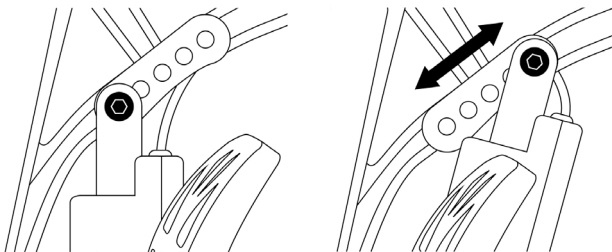


- 付属の 2.5mm 六角レンチ (8) で、金属製ヘッド (2) を固定している 2 個のネジを緩めて取り外します。
- サポートを新しいポジションに取り付けて、ネジをすべて取り付けます。

この調節ポイントで可能なポジション数:5

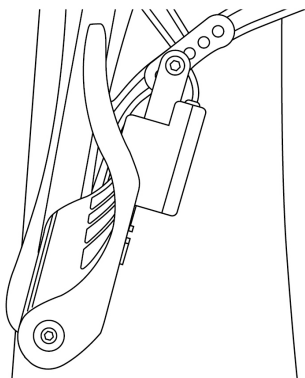
調節ポイント No. 2:

- 付属の 3 mm 六角レンチ (9) で、センサーを本体に固定している 2 個のねじ (1) を緩めて取り外します。
- サポートを新しいポジションに取り付けて、ネジをすべて取り付けます。

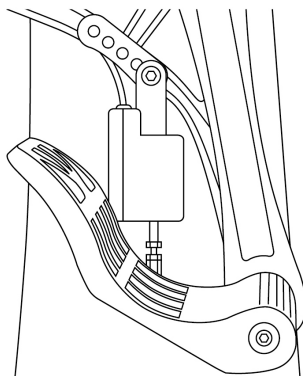


この調節ポイントで可能なポジション数:5

例:



傾きが最も少ないポジション



傾きが最も多いポジション

調節 1 と 2 で選択したポジションによる変化:

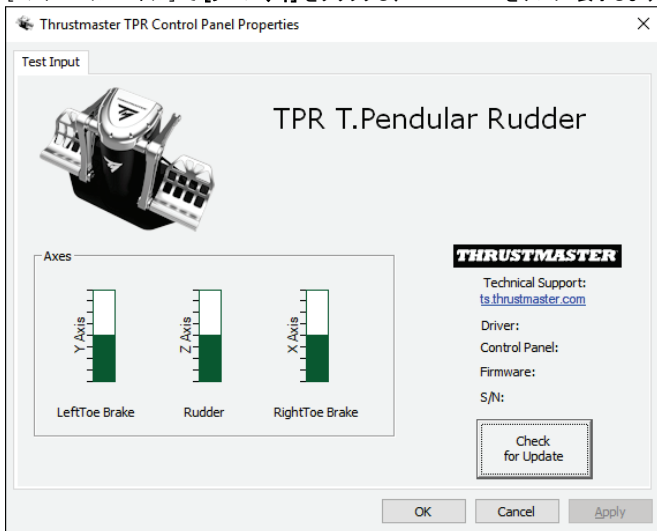
- ペダルの角度は 35° ~ 75° の間で変化します。
- ペダルの移動範囲は異なります。

注意: 製品が正しく機能するためには、調節ポイント 1 と 2 の 3 本のネジを各ペダルに取り付ける必要があります。

PC に取り付ける

1. PC 用ドライバをダウンロードするには <https://support.thrustmaster.com> にアクセスしてください。
ジョイスティック / TPR Rudder をクリックし、次に **ドライバ** を選択します。
2. ダウンロードが完了したらインストールを開始し、画面上の指示にしたがって TPR Rudder の USB コネクターをコンピュータに接続してください。これでインストールは終了です。
3. インストールが終了したら、**終了** をクリックしてコンピュータを再起動します。
4. **[スタート] > [すべてのプログラム] > [Thrustmaster] > [Thrustmaster Hotas Warthog - TPR Rudder] > [コントロールパネル]** を選択し、**[ゲーム コントローラ]** ウィンドウを開きます。

[ゲーム コントローラ] ウィンドウが開き、「TPR T.Pendular Rudder」とステータス「OK」が表示されます。
5. **[コントロール パネル]** で **[プロパティ]** をクリックし、TPR Rudder をテスト・表示します。



注意: TPR Rudder のインストールドライバは、「Thrustmaster Hotas Warthog」ジョイスティックのドライバと統合されました（したがって、これらのアクセサリーのインストールパッケージは同一です）。

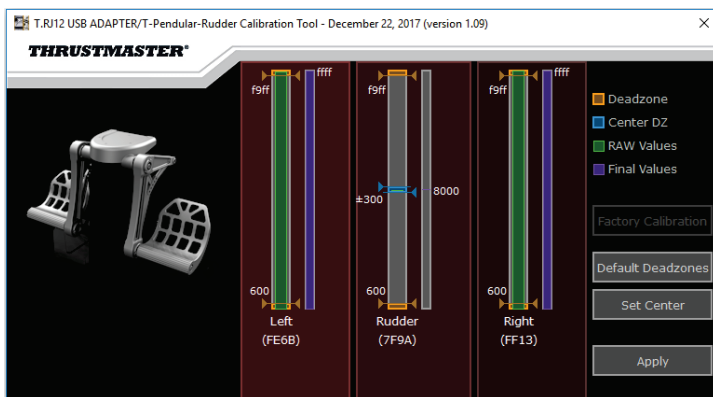
PC に関する一般的な注意

- * ゲームを開始する前に、OK をクリックして必ず**[ゲーム コントローラ]** ウィンドウを完全に閉じてください。
- コントロールパネルのタブの右下には、TPR Rudder のファームウェアのバージョンが表示されます。
- PC 上では TPR Rudder は以下と互換性があります：
 - MULTI-USB およびラダーに対応しているすべてのゲーム。
 - 市販されているすべてのジョイスティック。

高度なキャリブレーション ソフトウェア

<https://support.thrustmaster.com> にアクセスしてください。ジョイスティック / TPR Rudder をクリックし、次に **ユーティリティ** を選択します。キャリブレーション ソフトウェアをダウンロードしてインストールすると、以下が可能になります：

- ラダー軸および 2 個の差分ブレーキ軸の、可動域両端のデッドゾーンを自由に調節。
- ラダー軸センターのデッドゾーンを自由に調節。



行った調節は、TPR Rudder の内蔵メモリに直ちに保存されます。

T.A.R.G.E.T プログラミング ソフトウェア (Thrustmaster Advanced pProgramming Graphical EdiTor)

<https://support.thrustmaster.com> にアクセスしてください。ジョイスティック / TPR Rudder をクリックし、次に **ソフトウェア** を選択します。T.A.R.G.E.T プログラミング ソフトウェアをダウンロードしてインストールします。

T.A.R.G.E.T の主な特長:

- ラダーおよび差動ブレーキの軸は多彩なセッティングが可能。
- 複数のプログラミングレベルに対応:ベーシック、アドバンスト、およびスクリプト。
- ドラッグアンドドロップで操作可能。
- - TPR Rudder を他の Thrustmaster ジョイスティック (T.A.R.G.E.T. と互換性のある Hotas Cougar, Hotas Warthog, T.16000M, TWCS Throttle, または MFD Cougar Pack) と組み合わせて、1 台の USB デバイスとして認識させることが可能。
- Thrustmaster コミュニティのメンバーらによって作成された高度なプロフィールを利用可能。



TPR RUDDER のファームウェアのアップデート

TPR Rudder のファームウェアは、最新バージョンに随時アップデートして製品の性能を向上させることが可能です。

TPR Rudder のファームウェアバージョンを表示し、必要に応じてアップデートするには: PC で <https://support.thrustmaster.com> にアクセスし、[ジョイスティック] - TPR Rudder をクリックし、[ファームウェア] を選択してファームウェアのダウンロードおよびセットアップ手順にしたがってください。

トラブルシューティング & 警告

- **ラダーが正常に動作していないか、正しくキャリブレーションされていません。**
 - PC の電源をオフにし、ラダーの USB コネクタを完全に取り外します。次に USB コネクタを接続し直し、もう一度 PC の電源を入れてゲームを再起動します。
- **ラダーを設定できない。**
 - ゲームのオプション/コントローラー/ゲームパッド/ジョイスティック メニューで、適切な設定を選択するか、コントローラーのオプションを 1 から設定し直します。
 - 詳しくは、ゲームのユーザーズマニュアルまたはオンラインヘルプを参照してください。
 - T.A.R.G.E.T を使用します。(Thrustmaster Advanced pRogramming Graphical EdiTor) プログラミングソフトウェアを使用します。
- **ラダーの感度が強すぎる、もしくは弱すぎる。**
 - ゲームのオプション/コントローラー/ゲームパッド/ジョイスティック メニューで、コントローラーの感度およびデッドゾーンを調整します (これらのオプションが利用可能な場合)。
 - 高度なキャリブレーションソフトウェアを使用します。
 - T.A.R.G.E.T を使用します。(Thrustmaster Advanced pRogramming Graphical EdiTor) プログラミングソフトウェアを使用します。

ヘルプファイルおよびヒント (本マニュアルには含まれていません)

弊社サイト <https://support.thrustmaster.com> には、さまざまなヘルプやヒントが用意されています。ジョイスティック / TPR Rudder をクリックします。

著作権

©2018 Guillemot Corporation S.A. All rights reserved. Thrustmaster® は、Guillemot Corporation S.A. の登録商標です。

All rights reserved. その他、本書に記載の登録商標およびブランド名は、それぞれの所有者に帰属します。本書に含まれるイラストには法的拘束力はありません。本書に含まれる内容、設計および仕様は、事前の通告なしに変更される場合があります、また、各国で異なる場合があります。

環境保護推奨

国内の電気電子機器のリサイクル法を遵守してください。

リサイクルのための廃機器の収集地点や廃棄方法についての詳細は、お住まいの地域の自治体までお問い合わせください。

この情報は大切に保管してください。色や形状は実際の製品と異なる場合があります。

本製品をご使用になる前に、プラスチック留め具や粘着テープなどはすべて取り除いてください。

www.thrustmaster.com

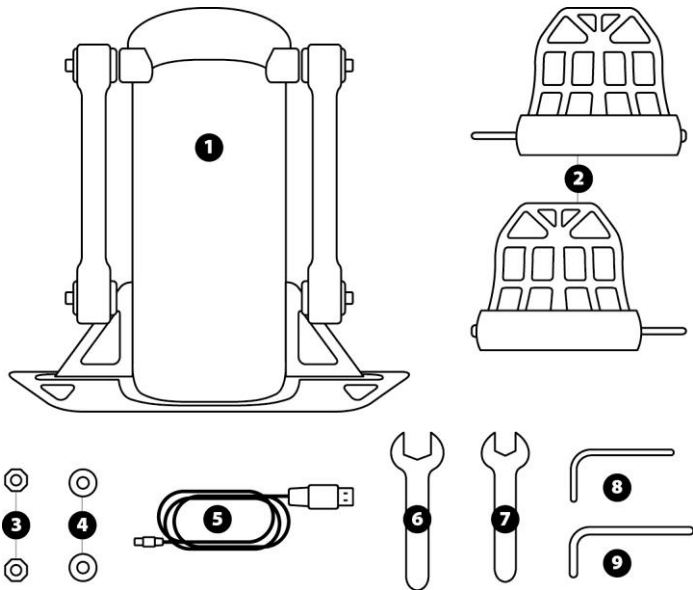
Made in China.



TPR

专业级飞行脚舵

PC
用户手册



技术特性

- 1 方向舵本体
- 2 踏板 (x2)
- 3 螺母 (x2)
- 4 垫圈 (x2)
- 5 USB 电缆

- 6 14 mm 平头扳手
- 7 8 mm 平头扳手
- 8 2.5 mm 内六角扳手
- 9 3 mm 内六角扳手

警告

在使用此产品之前，请仔细阅读并保管好本手册以便日后参考之用。



警告

- * 请将本产品置于干燥的位置，切勿将其暴露在灰尘或阳光中。
- * 按照所示连接方向连接各个组件。
- * 切勿扭曲或拉扯连接器和电缆。
- * 切勿让任何液体溅到本产品或其连接器上。
- * 切勿造成本产品短路。
- * 切勿拆解本产品（本手册中提及的任何调整除外）；切勿将其投入火中，亦勿将其暴露在高温环境中。
- * 切勿拆开本设备：内部没有任何可由用户维修的零部件。任何维修工作均须由制造商、其授权代表或持证技工执行。
- * 切勿让小孩接触本设备。
- * 在容易产生静电放电的环境下，本产品可能会工作异常、自动关机和/或进入错误模式，导致需要复位本产品。



为安全起见，切勿赤脚或仅穿袜子操作方向舵。
如因未穿鞋操作方向舵而造成任何伤害，
THRUSTMASTER® (图马思特) 对此概不负责。



本产品只能由
年满 16 岁的用户操作

重产品



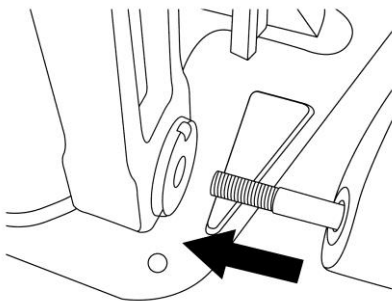
小心不要让本产品碰到自己或他人！

固定TPR 专业级飞行脚舵

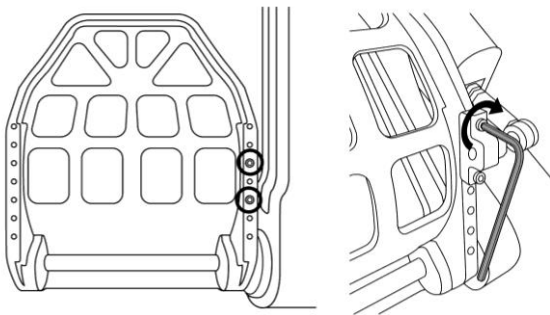
您可以使用方向舵金属板四角处的四个穿孔来将此装置固定到固定台面或支撑面上。供驾驶座内使用的 TPR 专业级飞行脚舵安装模板可在 <https://support.thrustmaster.com> 下载。单击 **Joysticks (摇杆) / TPR Rudder**，然后选择 **Template – Cockpit Setup (模板 – 驾驶座安装)**。

组装产品

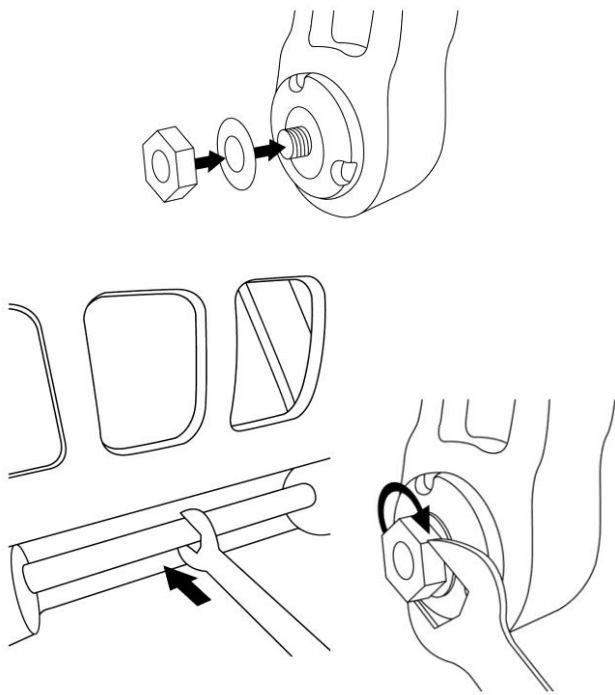
1. 将踏板 (2) 插入到本体 (1) 上的传感器臂中。



2. 使用 2.5 mm 内六角扳手 (8) 松开并卸下踏板背部的两个螺丝，然后将它们重新拧回，以固定传感器臂。



3. 在顶端插入垫圈 (4) 和螺母 (3), 然后分别使用 14 mm 平头扳手 (6) 和 8mm 平头扳手 (7) 拧紧装配件。

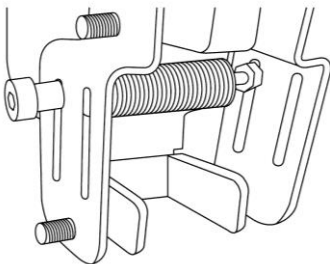


4. 对于第二个踏板, 重复执行步骤 1 至 3。

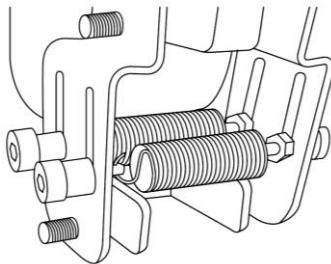
调节方向舵轴的张力

调整本产品背部弹簧的数量和位置。

- 最小阻力：1个弹簧，置于高位
- 最大阻力：2个弹簧，置于低位



最小阻力

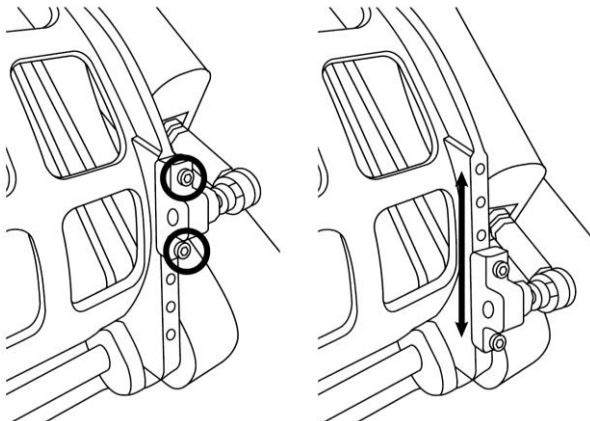


最大阻力

取决于所选的位置，张力将介于 2.5 kg 和 5 kg 之间。

调节两个踏板的倾度

1号调节点：

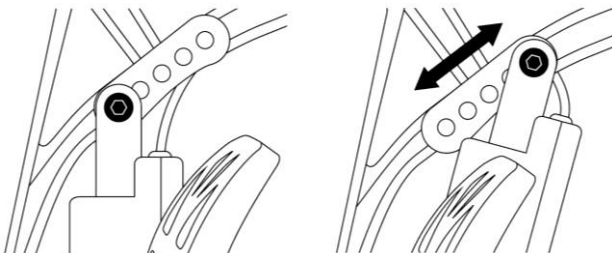


- 利用随附的 2.5 毫米内六角扳手 (8)，松开并卸下用于固定踏板金属头 (2) 的 2 个螺丝。
- 将支撑板安装到新位置，拧紧螺丝，将各个组件重新组装在一起。

此调节点的可能档位数：5

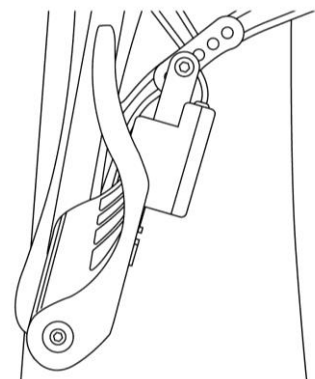
2号调节点：

- 利用随附的 3 mm 内六角扳手 (9)，松开并卸下将传感器固定到本体 (1) 的螺丝。
- 将支撑板安装到新位置，拧紧螺丝，将各个组件重新组装在一起。

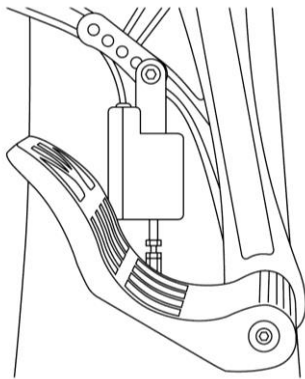


此调节点的可能档位数：5

示例：



最小倾角位置



最大倾角位置

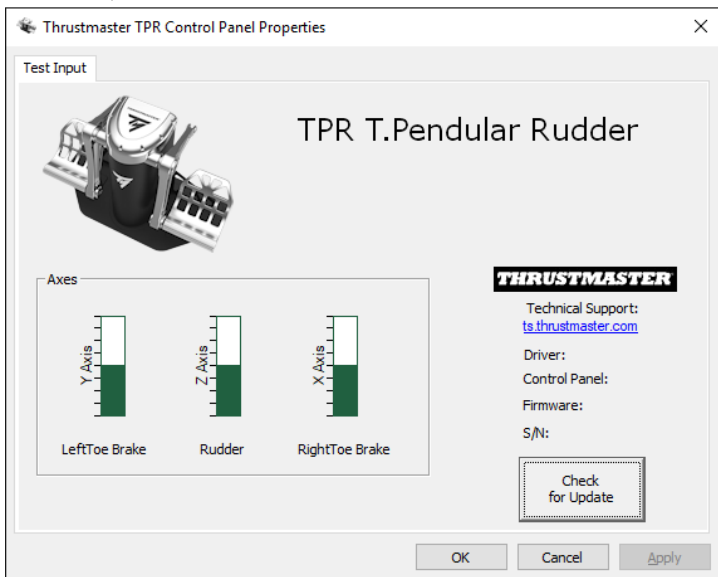
取决于在 1 号和 2 号调节点中选择的位置：

- 踏板的角度将在 35° 和 75° 之间变化。
- 踏板的行程范围也将随之改变。

请注意：为确保产品正常工作，1 号和 2 号调节点所涉及的所有三个螺丝都必须固定到每个踏板。

安装到 PC 上

1. 访问 <https://support.thrustmaster.com> 下载适用于 PC 的驱动程序。
单击 **Joysticks (摇杆) / TPR Rudder** , 然后选择 **Drivers (驱动程序)** 。
2. 下载完成后, 启动安装程序, 然后按照屏幕上的说明, 将 TPR 专业级飞行脚舵的 USB 连接器连接到 PC 并完成安装。
3. 安装完成后, 单击**完成**并重新启动计算机。
4. 选择**开始 / 所有程序 / Thrustmaster / Thrustmaster Hotas Warthog – TPR Rudder / 控制面板**, 以打开游戏控制器窗口。
游戏控制器窗口将显示名称 **TPR T.Pendular Rudder** , 并且状态为 **OK**。
5. 单击**属性**, 在控制面板中测试并查看 TPR 专业级飞行脚舵的 :



请注意：TPR 专业级飞行脚舵的的安装驱动程序现已与 Thrustmaster Hotas Warthog 摇杆驱动程序合二为一（因此，这两个附件的安装包相同）。

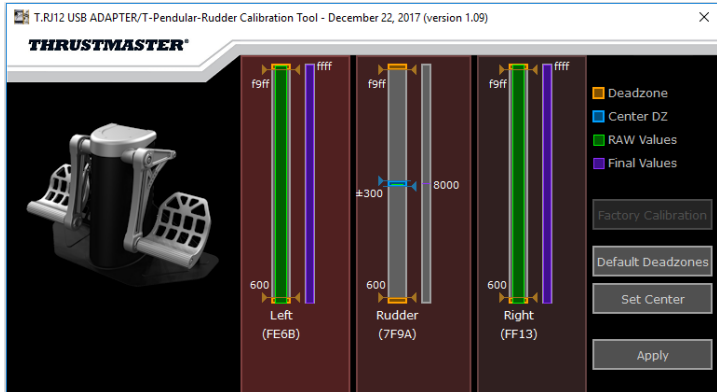
针对 PC 的一般事项

- 在启动您的游戏之前，请务必通过单击 **OK**，完全关闭**游戏控制器**窗口。
- TPR 专业级飞行脚舵的的固件版本显示在控制面板选项卡的右下角。
- 在 PC 上，TPR 专业级飞行脚舵的兼容于：
 - 所有支持多 USB 和方向舵的游戏；
 - 所有市售摇杆。

高级校准软件

请访问 <http://support.thrustmaster.com>。单击 **Joysticks (摇杆) / TPR Rudder**，然后选择 **Utilities (实用程序)**。下载并安装高级校准软件，以便：

- 根据自己的喜好，调整方向舵轴上行程开头和末尾以及两个差动刹车轴上的盲区；
- 根据自己的喜好，调节方向舵轴上的中央盲区。



一旦做出调节，所做调节将会立即保存到 TPR 专业级飞行脚舵的的内存中。

T.A.R.G.E.T 高级编程软件

Thrustmaster (图马思特) 高级编程图形编辑器

请访问 <http://support.thrustmaster.com>。点击 **Joysticks (摇杆) / TPR Rudder** , 然后选择 **Software (软件)**。下载并安装 T.A.R.G.E.T 高级编程软件。

T.A.R.G.E.T 的主要功能：

- 方向舵轴和差动刹车踏板可能出现的不同配置。
- 可能的不同编程水平设置：Basic、Advanced 与 Script。
- 采用“拖放”原则。
- TPR 专业级飞行脚舵的可与各种 Thrustmaster 摇杆 (Hotas Cougar、Hotas Warthog、T.16000M、TWCS Throttle 和 MFD Cougar Pack , 所有这些摇杆还兼容 T.A.R.G.E.T) 搭配使用, 使它们可被识别为单个 USB 设备。
- 访问由 Thrustmaster 社区创建的高级配置文件。



更新 TPR专业级飞行脚舵的的固件

您可以更新 TPR专业级飞行脚舵的包含的固件 (也就是说, 可以更新至包含产品改进的更新版本)。

要显示 TPR专业级飞行脚舵的的固件版本并在必要时更新: 在 PC 上, 请访问 <https://support.thrustmaster.com>, 点击 **Joysticks (摇杆) / TPR Rudder**, 然后选择 **Firmware (固件)**, 并按照下载和安装程序的说明操作。

故障检修和警告

- 我的方向舵运行不正常，或似乎校准不当。
 - 关闭 PC 并完全断开方向舵的 USB 连接。然后重新连接 USB 连接器，再次打开 PC 并重新启动游戏。
- 我无法配置我的方向舵：
 - 在游戏的“选项/控制器/游戏手柄或摇杆”菜单中，选择适当的配置，或重新配置控制器选项。
 - 有关详细信息，请参阅游戏的用户手册或联机帮助。
 - 使用 T.A.R.G.E.T.(Thrustmaster Advanced pROgramming Graphical EdiTor) 高级编程软件。
- 我的方向舵太灵敏或不够灵敏。
 - 在游戏的“选项/控制器/游戏手柄或摇杆”菜单中：调整控制器的灵敏度和盲区（如果这些选项可用）。
 - 使用高级校准软件。
 - 使用 T.A.R.G.E.T.(Thrustmaster Advanced pROgramming Graphical EdiTor) 高级编程软件。

帮助文件和提示（本手册中未提供）

在 <https://support.thrustmaster.com> 网站上提供各种帮助文件和提示。点击 **Joysticks（摇杆）/TPR Rudder**。

版权声明

© 2018 Guillemot Corporation S.A. 保留所有权利。Thrustmaster® (图马思特) 是 Guillemot Corporation S.A. (基利摩股份有限公司) 的注册商标。所有其他商标均为其各自所有者的资产。插图不具约束力。内容、设计和规格可能因国家/地区而异, 并可能随时出现更改, 恕不另行通知。中国制造。

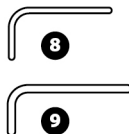
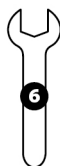
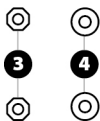
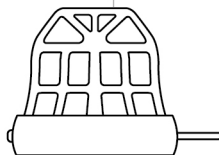
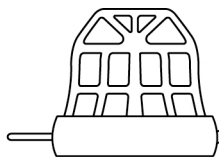
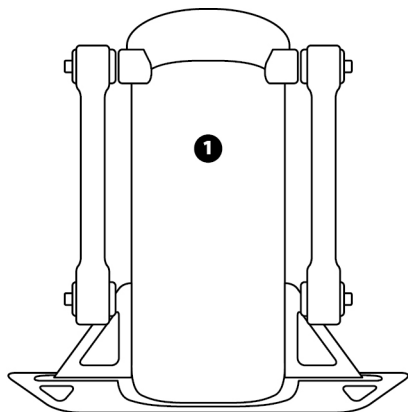


TPR

THRUSTMASTER PENDULAR RUDDER

PC

使用者手冊



技術特性

- 1 方向舵本體
- 2 踏板 (x2)
- 3 螺母 (x2)
- 4 墊圈 (x2)
- 5 USB 纜線

- 6 14 mm 平頭扳手
- 7 8 mm 平頭扳手
- 8 2.5 mm 內六角扳手
- 9 3 mm 內六角扳手

警告

在使用此產品之前，請仔細閱讀並保管好本手冊以便日後參考之用。



警告

- * 請將本產品置於乾燥的位置，切勿將其暴露在灰塵或陽光中。
- * 按照所示連接方向連接各個元件。
- * 切勿扭曲或拉扯連接器和纜線。
- * 切勿讓任何液體濺到本產品或其連接器上。
- * 切勿造成本產品短路。
- * 切勿拆解本產品（本手冊中提及的任何調整除外）；切勿將其投入火中，亦勿將其暴露在高溫環境中。
- * 切勿拆開本裝置：內部沒有任何可由使用者維修的零部件。任何維修工作均須由製造商、其授權代表或持證技工執行。
- * 切勿讓小孩接觸本裝置。
- * 在容易產生靜電放電的環境下，本產品可能會運作異常、自動關機和/或進入錯誤模式，導致需要重設本產品。



為安全起見，切勿赤腳或
僅穿襪子操作方向舵。

如因未穿鞋操作方向舵而造成任何傷害，THRUSTMASTER®（圖馬思特）對此概不負責。



本產品只能由
年滿 16 歲的使用者操作

重產品



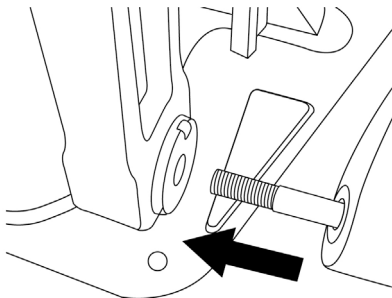
小心不要讓本產品砸到自己或他人！

固定 TPR RUDDER

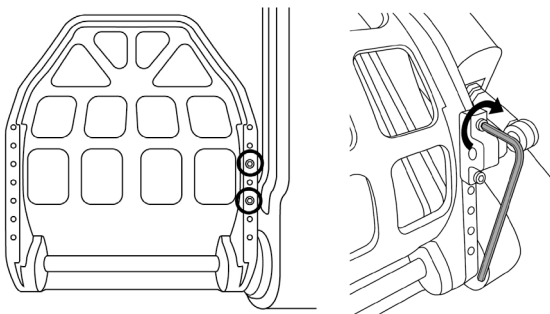
您可以使用方向舵金屬板四角處的四個穿孔來將此裝置固定到固定檯面或支撐面上。
供駕駛座內使用的 TPR Rudder 安裝範本可在 <https://support.thrustmaster.com> 下載。按一下 Joysticks (搖桿) / TPR Rudder，然後選取 Template - Cockpit Setup (範本 - 駕駛座安裝)。

組裝產品

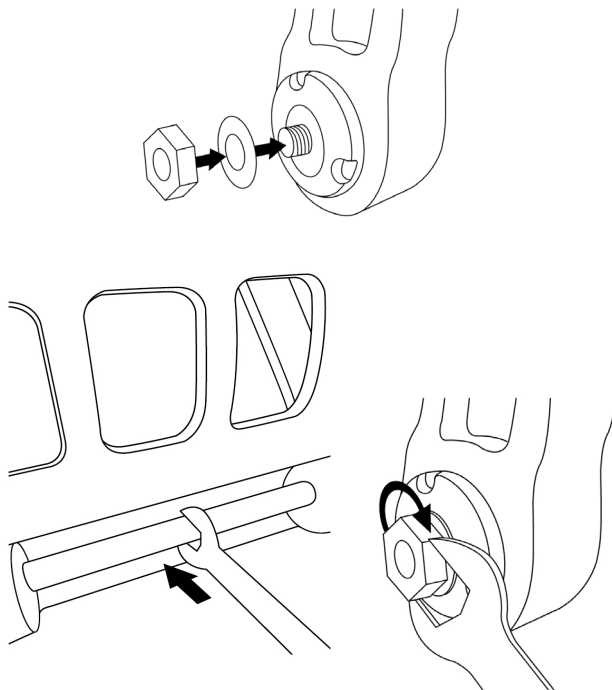
1. 將踏板 (2) 插入到本體 (1) 上的感應器臂中。



2. 使用 2.5 mm 內六角扳手 (8) 鬆開並卸下踏板背部的兩個螺絲，然後將它們重新擰回，以固定感應器臂。



3. 在頂端插入墊圈 (4) 和螺母 (3)，然後分別使用 14 mm 平頭扳手 (6) 和 8 mm 平頭扳手 (7) 擰緊裝配件。

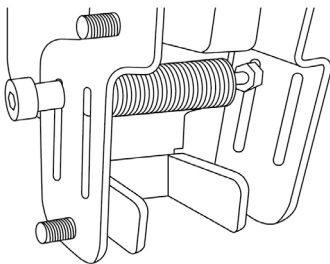


4. 對於第二個踏板，重複執行步驟 1 至 3。

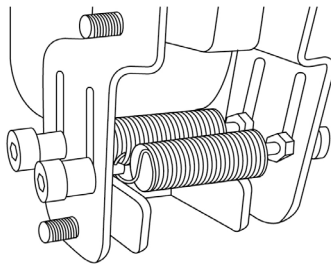
調節方向舵軸的張力

調整本產品背部彈簧的數量和位置。

- 最小阻力：1 個彈簧，置於高位
- 最大阻力：2 個彈簧，置於低位



最小阻力

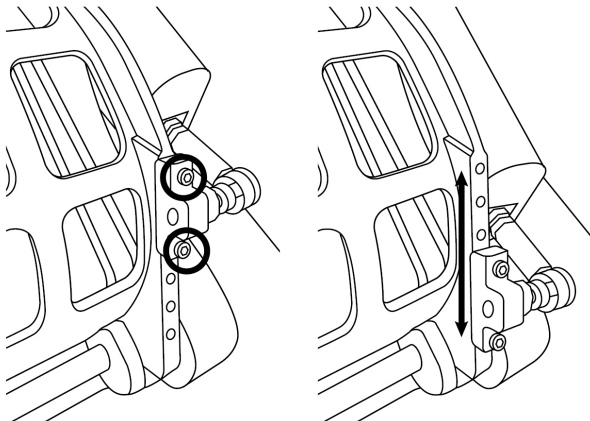


最大阻力

取決於所選的位置，張力將介於 2.5 kg 和 5 kg 之間。

調節兩個踏板的傾度

1 號調節點：

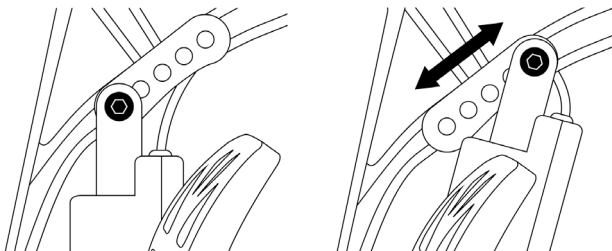


- 利用隨附的 2.5 毫米內六角扳手 (8)，鬆開並卸下用於固定踏板金屬頭 (2) 的 2 個螺絲。
- 將支撐板安裝到新位置，擰緊螺絲，將各個元件重新組裝在一起。

此調節點的可能檔位數：5

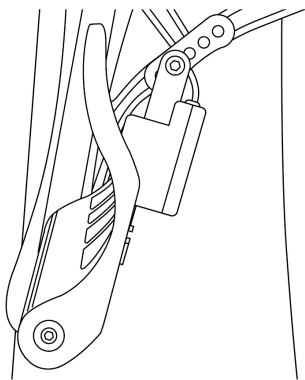
2 號調節點：

- 利用隨附的 3 mm 內六角扳手 (9)，鬆開並卸下將感應器固定到本體 (1) 的螺絲。
- 將支撐板安裝到新位置，擰緊螺絲，將各個元件重新組裝在一起。

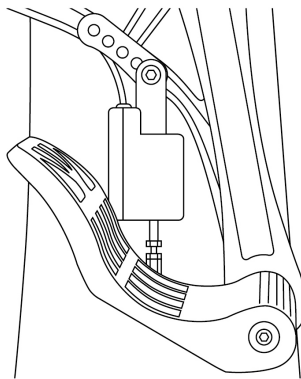


此調節點的可能檔位數：5

示例：



最小傾角位置



最大傾角位置

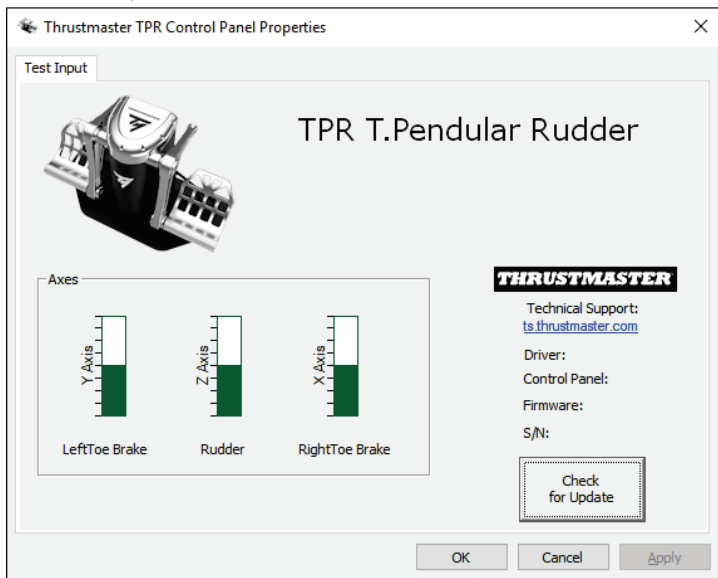
取決於在 1 號和 2 號調節點中選取的位置：

- 踏板的角度將在 35° 和 75° 之間變化。
- 踏板的行程範圍也將隨之改變。

請注意：為確保產品正常工作，1 號和 2 號調節點所涉及的所有三個螺絲都必須固定到每個踏板。

安裝到 PC 上

1. 瀏覽 <https://support.thrustmaster.com>，下載適用於 PC 的驅動程式。
按一下 Joysticks (搖桿) / TPR Rudder，然後選取 Drivers (驅動程式)。
2. 下載完成後，啟動安裝程式，然後按照螢幕上的說明，將 TPR Rudder 的 USB 連接器連線到 PC 並完成安裝。
3. 安裝完成後，按一下**完成**並重新開機。
4. 選取**開始 / 所有程式 / Thrustmaster / Thrustmaster Hotas Warthog – TPR Rudder / 控制台**，以打開**遊戲控制器**視窗。
遊戲控制器視窗將顯示名稱 TPR T.Pendular Rudder，並且狀態為 OK。
5. 按一下**屬性**，在控制台中測試並檢視 TPR Rudder：



請注意：TPR Rudder 的安裝驅動程式現已與 Thrustmaster Hotas Warthog 搖桿驅動程式合二為一（因此，這兩個附件的安裝包相同）。

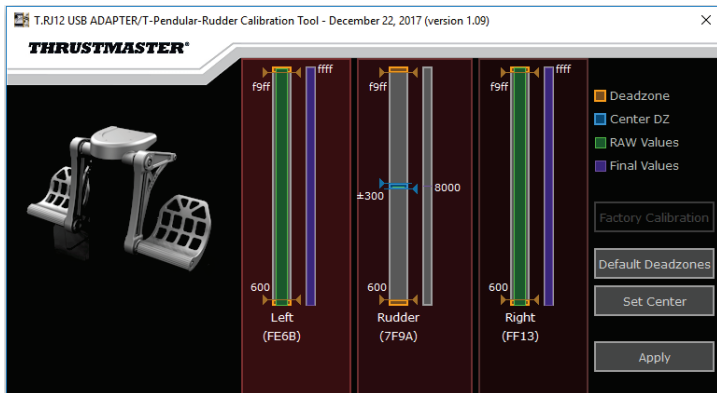
針對 PC 的一般事項

- 在啟動您的遊戲之前，請務必透過按一下 OK，完全關閉**遊戲控制器**視窗。
- TPR Rudder 的韌體版本顯示在控制台索引標籤的右下角。
- 在 PC 上，TPR Rudder 相容於：
 - 所有支援多 USB 和方向舵的遊戲；
 - 所有市售搖桿。

進階校準軟體

請瀏覽 <http://support.thrustmaster.com>。按一下 **Joysticks (搖桿)** / TPR Rudder，然後選取 **Utilities (實用程式)**。下載並安裝進階校準軟體，以便：

- 根據自己的喜好，調整方向舵軸上行程開頭和末尾以及兩個差動煞車軸上的盲區；
- 根據自己的喜好，調節方向舵軸上的中央盲區。



一旦做出調節，所做調節將會立即儲存到 TPR Rudder 的內部記憶體中。

T.A.R.G.E.T 進階程式設計軟體

(Thrustmaster Advanced pROgramming Graphical EdiTor)

請瀏覽 <http://support.thrustmaster.com>。按一下 Joysticks (搖桿) / TPR Rudder，然後選取 Software (軟體)。下載並安裝 T.A.R.G.E.T 進階程式設計軟體。

T.A.R.G.E.T 的主要功能：

- 方向舵軸和差動煞車踏板可能出現的不同設定。
- 提供的不同程式設計等級設定：Basic、Advanced 與 Script。
- 採用「拖放」原則。
- TPR Rudder 可與各種 Thrustmaster 搖桿 (Hotas Cougar、Hotas Warthog、T.16000M、TWCS Throttle 和 MFD Cougar Pack，所有這些搖桿還相容 T.A.R.G.E.T) 搭配使用，使它們可被識別為單個 USB 裝置。
- 瀏覽由 Thrustmaster 社群建立的進階設定檔。



更新 TPR RUDDER 的韌體

您可以更新 TPR Rudder 包含的韌體 (也就是說，可以更新至包含產品改進的更新版本)。

要顯示 TPR Rudder 的韌體版本並在必要時更新：在 PC 上，請瀏覽 <https://support.thrustmaster.com>，按一下 Joysticks (搖桿) / TPR Rudder，然後選取 Firmware (韌體)，並按照下載和安裝程式的說明操作。

故障檢修和警告

- **我的方向舵運行不正常，或似乎校準不當。**
 - 關閉 PC 並完全斷開方向舵的 USB 連接。然後重新連接 USB 連接器，再次打開 PC 並重新啟動遊戲。
- **我無法配置我的方向舵：**
 - 在遊戲的「選項/控制器/遊戲手柄或搖桿」功能表中，選取適當的設定，或重新設定控制器選項。
 - 有關詳細資訊，請參閱遊戲的使用者手冊或線上說明。
 - 使用 T.A.R.G.E.T.(Thrustmaster Advanced pRogramming Graphical EdiTor) 進階程式設計軟體。
- **我的方向舵太靈敏或不夠靈敏。**
 - 在遊戲的「選項/控制器/遊戲手柄或搖桿」功能表中：調整控制器的靈敏度和盲區（如果這些選項可用）。
 - 使用進階校準軟體。
 - 使用 T.A.R.G.E.T.(Thrustmaster Advanced pRogramming Graphical EdiTor) 進階程式設計軟體。

說明檔案和提示（本手冊中未提供）

在 <https://support.thrustmaster.com> 網站上提供有各種說明檔案和提示。按一下 Joysticks（搖桿）/ TPR Rudder。

版權所有

© 2018 Guillemot Corporation S.A. 保留所有權利。圖馬思特® 為 Guillemot Corporation S.A 的註冊商標。其他商標或註冊商標均為其個別擁有者的財產。圖片並不受約束。產品內容、設計和規格如有變更，恕不另行通知，並可能會視乎國家而不同。中國製造。

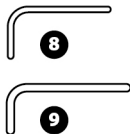
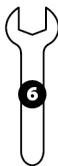
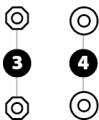
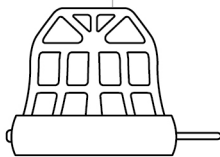
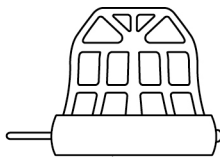
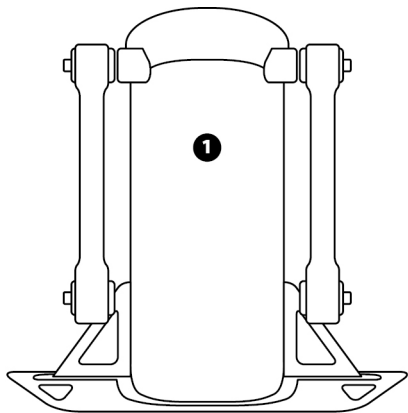


TPR

THRUSTMASTER PENDULAR RUDDER

PC

사용설명서



기술적 특징

- 1 러더 본체
- 2 페달 (x2)
- 3 너트 (x2)
- 4 워셔 (x2)
- 5 USB 케이블

- 6 14mm 플랫 렌치
- 7 8mm 플랫 렌치
- 8 2.5mm 앨런 키
- 9 3mm 앨런 키

경고

이 제품을 사용하기 전에, 이 설명서를 주의 깊게 읽고 나중에 참고할 수 있도록 잘 보관하시기 바랍니다.



경고

- * 본 제품은 건조한 곳에 보관해야 하며, 먼지나 태양광선에 노출시키지 마십시오.
- * 연결 방향을 준수하십시오.
- * 커넥터 및 케이블을 비틀거나 잡아 당기지 마십시오.
- * 본 제품이나 제품의 커넥터에 액체를 흘리지 마십시오.
- * 제품을 단락(합선)시키지 마십시오.
- * 제품을 절대 분해하지 마십시오(본 매뉴얼에 언급될 수 있는 조정 제외). 볼 속에 제품을 던지지 마십시오. 제품을 고온에 노출시키지 마십시오.
- * 기기를 열지 마십시오. 기기 내부에는 사용자가 수리할 수 있는 부품이 없습니다. 모든 수리는 제조사, 제조사가 승인한 대리점 또는 자격을 갖춘 기술자가 수행해야 합니다.
- * 어린이의 손이 닿지 않는 곳에 기기를 보관하십시오.
- * 정전기 방전 현상이 일어나기 쉬운 환경에서는 제품이 비정상적으로 기능하고 전원이 자동으로 꺼지거나 오류 모드로 진입할 수 있습니다. 이러한 경우, 제품을 리셋해야 합니다.



안전한 사용을 위해 러더를 절대 맨발 또는 양말만 신은 상태에서 조작하지 마십시오.

THRUSTMASTER®는 신발 없이 페달 세트를 조작함으로써 발생하는 부상에 대해 어떠한 책임도 지지 않습니다.

중량 제품



본 제품은 만 16 세 이상의 사용자만 조작해야 합니다



본 제품을 본인이나 다른 사람에게 떨어뜨리지 않도록 주의하십시오!

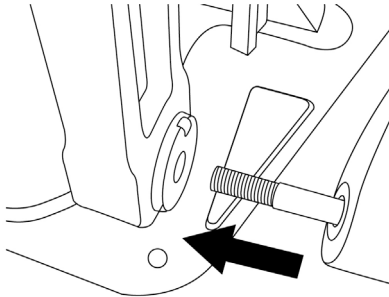
TPR RUDDER 부착하기

러더의 금속 플레이트 코너에 위치한 네 개의 구멍을 이용해 고정 스탠드 또는 지지대에 장치를 부착할 수 있습니다.

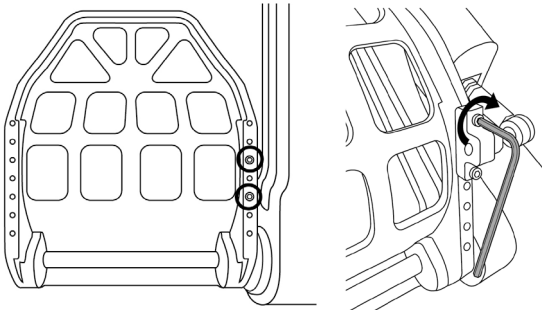
조종석에 사용하는 TPR Rudder 설치 템플릿은 <https://support.thrustmaster.com>에서 보실 수 있습니다. Joysticks/TPR Rudder 를 클릭한 후 Template – Cockpit Setup(템플릿 - 조종석 설정)을 선택하십시오.

제품 조립하기

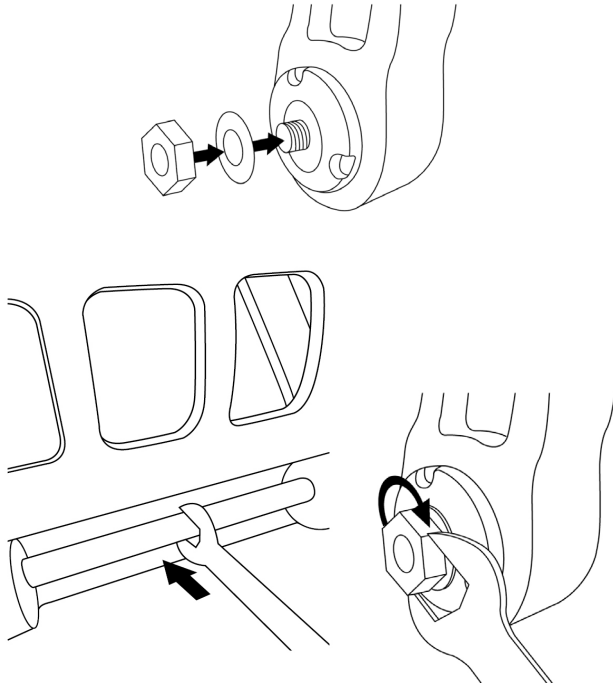
1. 페달(2)을 본체에 있는 암(1)에 삽입합니다.



2. 2.5mm 앨런 키(8)를 사용해 페달 뒷면에 있는 나사 2개를 풀고 센서 암을 부착하여 다시 나사를 조입니다.



3. 워셔(4)와 너트(3)를 상부에 삽입한 다음 14mm 플랫 렌치(6) 및 8mm 플랫 렌치(7)를 이용해 어셈블리를 조입니다.

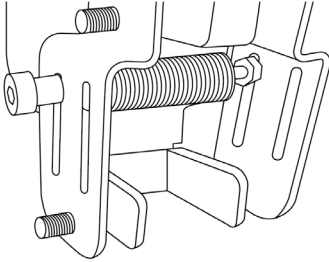


4. 두 번째 페달 또한 1단계~3단계 과정을 반복합니다.

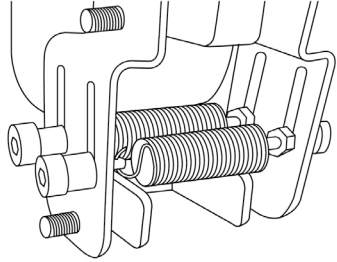
러더 축 장력 조정하기

제품 뒷면에 있는 용수철의 수와 위치를 조정합니다.

- 최소 저항: 높은 위치 스프링 1 개
- 최대 저항: 낮은 위치 스프링 2 개



최소 저항

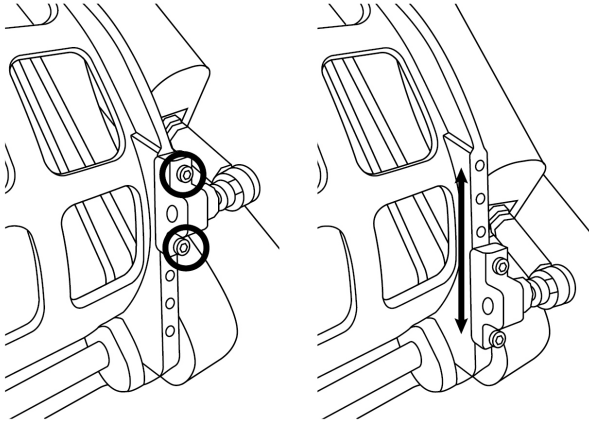


최대 저항

선택한 위치에 따라 장력은 2.5kg~5kg 이 됩니다.

2 개의 페달 경사 조정하기

조정 지점 1:

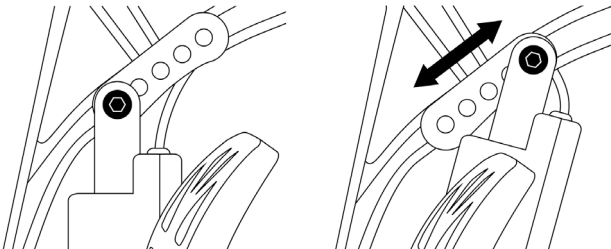


- 제품에 포함되어 있는 2.5mm 앨런 키(8)를 이용해 페달의 금속 헤드(2)에 부착되어 있는 나사 2 개를 풉니다.
- 지지대를 새로운 위치로 재조정하고 뒷면에 있는 모든 나사를 조입니다.

해당 조정 지점에 대한 조정 가능한 위치 수: 5

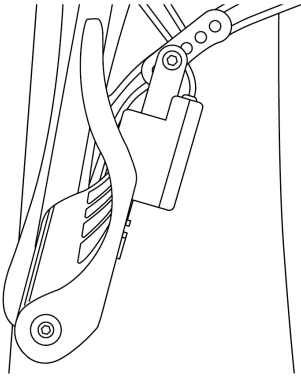
조정 지점 2:

- 제품에 포함되어 있는 3mm 앨런 키(9)를 이용해 본체(1)에 센서를 부착하며 나사를 풉니다.
- 지지대를 새로운 위치로 재조정하고 뒷면에 있는 모든 나사를 조입니다.

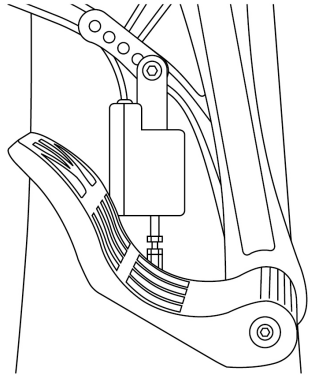


해당 조정 지점에 대한 조정 가능한 위치 수: 5

예시:



최소 경사진 위치



최대 경사진 위치

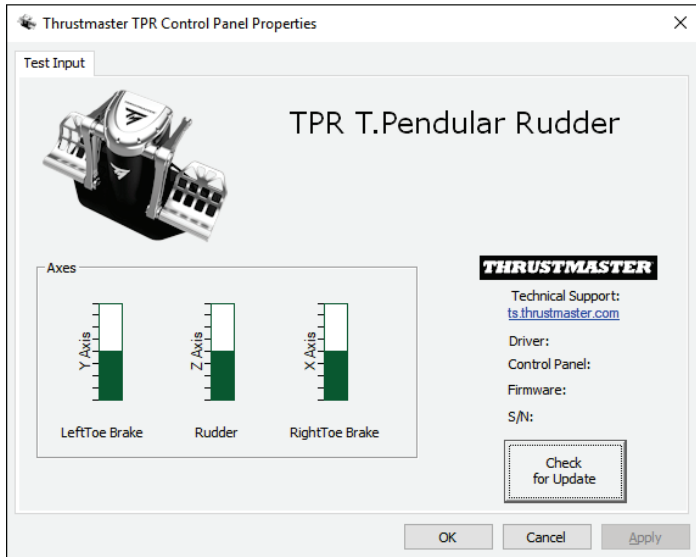
조정 1 과 2 에 선택된 위치에 따라:

- 페달 각도는 35°~75° 사이로 다양합니다.
- 페달 이동 거리가 다양합니다.

참고: 제품이 정상적으로 기능하기 위해서는 조정 지점 1 과 2 에서 설명한 나사 세 개가 모두 각 페달에 부착되어 있어야 합니다.

PC 설치

1. PC 용 드라이버는 <https://support.thrustmaster.com> 에서 다운로드 받으십시오.
Joysticks/TPR Rudder 를 클릭한 후 **Drivers(드라이버)**를 선택하십시오.
2. 다운로드가 완료되면 설치를 시작하고, 화면의 지시에 따라 TPR Rudder 의 USB 커넥터를 PC 에 연결하여 설치를 완료합니다.
3. 설치가 완료되면 **Finish(종료)**를 클릭하고 컴퓨터를 다시 시작합니다.
4. **시작/모든 프로그램/Thrustmaster/Thrustmaster Hotas Warthog – TPR Rudder/제어판**을 선택한 후 **게임 컨트롤러** 창을 엽니다.
게임 컨트롤러 창이 **OK** 상태 창과 함께 **TPR T.Pendular Rudder** 이름을 표시합니다.
5. **특성**을 클릭하여 제어판에서 TPR Rudder 를 시험 및 확인합니다.



참고: TPR Rudder 설치 드라이버는 현재 Thrustmaster Hotas Warthog 조이스틱 드라이버와 통합되었습니다 (따라서 두 액세서리용 설치 패키지는 동일함).

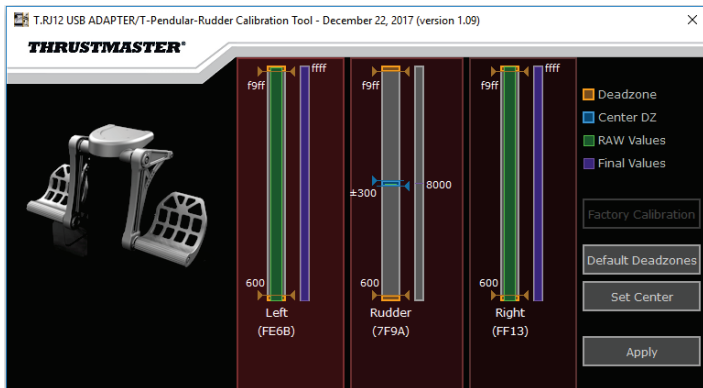
PC 일반 사항

- 게임을 시작하기 전에는 **OK** 버튼을 눌러 **게임 컨트롤러** 창을 항상 완전히 닫으십시오.
- TPR Rudder의 펌웨어 버전은 제어판 탭의 오른쪽 하단 모서리에 표시됩니다.
- PC에서 TPR Rudder와 호환되는 제품은 다음과 같습니다.
 - 멀티 USB 및 러더를 지원하는 모든 게임
 - 시중에 판매 중인 모든 조이스틱.

고급 교정 소프트웨어

<https://support.thrustmaster.com>을 확인해 주십시오. **Joysticks/TPR Rudder**를 클릭한 후 **Utilities(유틸리티)**를 선택하십시오. 고급 보정 소프트웨어를 다운로드 및 설치하여 다음 작업을 수행하십시오.

- 러더 축과 차등 브레이크의 2개 축에서의 이동 범위 시작 및 끝 지점에서 연결고리까지 사각 지대를 조정합니다.
- 러더 축의 중앙 사각 지대를 연결고리까지 조정합니다.



조정이 끝나면 조정된 사항은 TPR Rudder의 내부 메모리에 즉시 저장됩니다.

T.A.R.G.E.T. 고급 프로그래밍 소프트웨어 (Thrustmaster Advanced pRogramming Graphical EdiTor)

<https://support.thrustmaster.com>을 확인해 주십시오. Joysticks/TPR Rudder를 클릭한 후 Software(소프트웨어)를 선택하십시오. 고급 프로그래밍 소프트웨어인 T.A.R.G.E.T.을 다운로드 및 설치하십시오.

T.A.R.G.E.T.의 주요 기능:

- 러더 축과 차동 브레이크 축에 대해 각기 다른 설정 가능.
- 프로그래밍 수준 차별화 가능: Basic, Advanced 및 Script.
- 드래그 앤 드롭 원리 사용.
- 단일 USB 장치로 인식하여 다양한 Thrustmaster 조이스틱(Hotas Cougar, Hotas Warthog, T.16000M, TWCS Throttle, MFD Cougar Pack, T.A.R.G.E.T.과 호환 가능한 모든 종류)이 있는 TPR Rudder와 결합 가능.
- Thrustmaster 커뮤니티가 생성하는 고급 프로파일에 접근합니다.



TPR RUDDER 펌웨어 업데이트하기

TPR Rudder에 포함된 펌웨어를 업데이트할 수 있습니다 (즉, 제품 개선과 더불어 최근 버전으로 업데이트 가능).

TPR Rudder 펌웨어 버전 표시 및 필요 시 업데이트하기 위해서는 PC에서 <https://support.thrustmaster.com>을 방문하여 Joysticks/TPR Rudder를 클릭한 후 Firmware(펌웨어)를 선택합니다. 다운로드 및 설치 과정은 지시사항을 따릅니다.

문제 해결 및 경고

- **러더가 제대로 작동하지 않거나 부적절하게 보정된 것 같습니다.**
 - PC 를 끄고 러더의 USB 커넥터를 분리합니다. 그런 다음 USB 커넥터를 다시 연결하고 PC 전원을 켜 다음 게임을 다시 시작하십시오.
- **러더를 구성할 수 없습니다.**
 - 게임 옵션/컨트롤러/게임패드 또는 조이스틱 메뉴에서 적절한 환경 설정을 선택하거나 컨트롤러 옵션을 완전히 재구성하십시오.
 - 더 자세한 내용은 해당 게임의 사용설명서 또는 온라인 도움말을 참조하십시오.
 - 고급 프로그래밍 소프트웨어인 T.A.R.G.E.T. (Thrustmaster Advanced pRogramming Graphical EdiTor)를 사용하십시오.
- **러더가 너무 민감하거나 충분히 민감하지 못합니다.**
 - 게임 옵션/컨트롤러/게임패드 또는 조이스틱 메뉴에서 민감도와 컨트롤러의 사각 지대를 조정하십시오(해당 옵션을 이용할 수 있는 경우).
 - 고급 보정 소프트웨어를 사용하십시오.
 - 고급 프로그래밍 소프트웨어인 T.A.R.G.E.T. (Thrustmaster Advanced pRogramming Graphical EdiTor)를 사용하십시오.

도움말 파일 및 팁 (이 매뉴얼에는 포함되지 않음)

다양한 도움말 파일 및 팁은 웹사이트 <https://support.thrustmaster.com> 에서 확인하실 수 있습니다. Joysticks/TPR Rudder 를 선택하십시오.

COPYRIGHT

© 2018 Guillemot Corporation S.A. 모든 권리 보유. Thrustmaster®는 Guillemot Corporation S.A.의 등록상표입니다. 다른 모든 상표는 해당 소유자의 자산입니다. 도면은 법적 구속력이 없습니다. 설명서의 내용, 설계 및 사양은 예고 없이 변경될 수 있으며, 나라마다 서로 다를 수 있습니다. 제조국: 중국

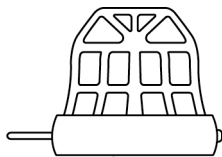
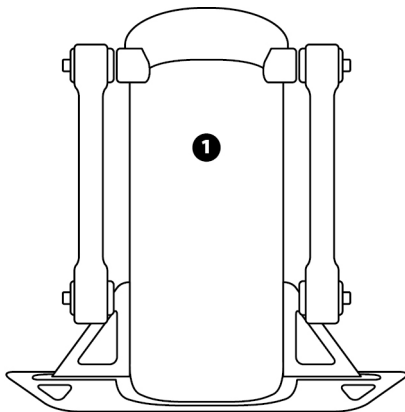


TPR

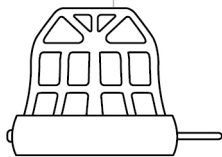
THRUSTMASTER PENDULAR RUDDER

الكمبيوتر

دليل المستخدم



2

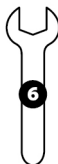


3

4



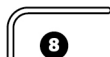
5



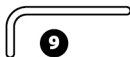
6



7



8



9

- 6 مفتاح مسطح 14 مم
7 مفتاح مسطح 8 مم
8 مفتاح الن 2.5 مم
9 مفتاح الن 3 مم

الميزات التقنية

- 1 جسم أداة التوجيه
2 دواسمة (x2)
3 صامولة (x2)
4 حلقة (x2)
5 كابل USB

تحذير

قبل استخدام هذا المنتج، يُرجى قراءة هذا الدليل بعناية وحفظه للرجوع إليه لاحقًا.

تحذيرات

- * احفظ المنتج في مكان جاف ولا تجعله عرضة للغبار أو ضوء الشمس.
- * التزم باتجاهات التوصيل.
- * لا تقم بلف الموصلات والكابلات أو تستخدمها في الشد.
- * لا تسكب أي سائل على المنتج أو الموصل.
- * لا تتصّر دائرة المنتج.
- * تجنّب تفكيك المنتج (باستثناء أي تعديلات قد يُشار إليها في هذا الدليل)؛ لا تقم بإلقائه في اللهب ولا تعرّضه لدرجات الحرارة العالية.
- * لا تفتح الجهاز: فلا توجد بداخله أجزاء يمكن صيانتها من قِبَل المستخدم. ويجب إجراء أي إصلاحات من قِبَل المصنّع أو ممثله المعتمد أو الفني المؤهل.
- * احفظ الجهاز بعيدًا عن متناول الأطفال.
- * في البيئات المعرّضة لعمليات التفريغ الإلكترونيستاتيكي، قد يعمل المنتج بشكل غير طبيعي و/ أو يتوقف عن التشغيل من تلقاء نفسه و/ أو يدخل في وضع الخطأ، مما يستدعي إعادة ضبط المنتج.



لأغراض الأمان، تجنّب استخدام أداة التوجيه وقدمك عارية.
أو مرتديًا جوارب فقط في قدمك.

تخلي THRUSTMASTER® مسؤوليتها تمامًا عن أي ضرر يحدث نتيجة لاستخدام أداة التوجيه بدون حذاء.

منتج ثقيل الوزن



احذر من سقوط المنتج عليك أو على غيرك!

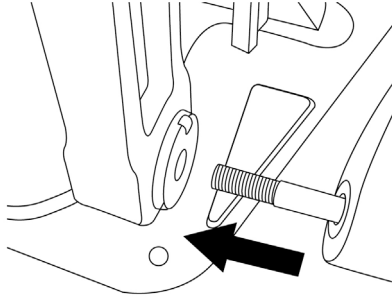


يجب التعامل مع المنتج فقط من قِبَل المستخدمين
الذين تبلغ أعمارهم 16 سنة فأكثر.

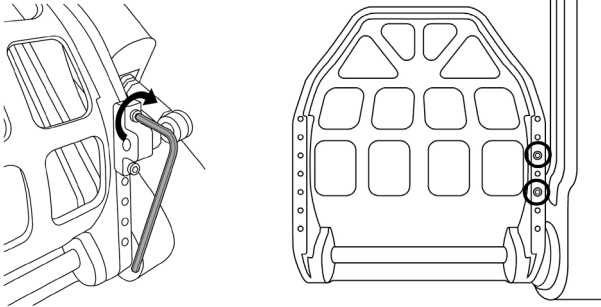
تركيب TPR RUDDER

يمكنك استخدام الثقوب الأربعة الموجودة في زوايا اللوحة المعدنية لأداة التوجيه لتثبيت الوحدة بحامل ثابت أو دعامة. يتوفر نموذج التركيب الخاص بـ TPR Rudder للاستخدام في المقصورة عبر الموقع <https://support.thrustmaster.com>. انقر فوق **Joysticks** (أذرع اللعب) / TPR Rudder، ثم حدد **Template – Cockpit Setup** (النموذج - إعداد المقصورة).

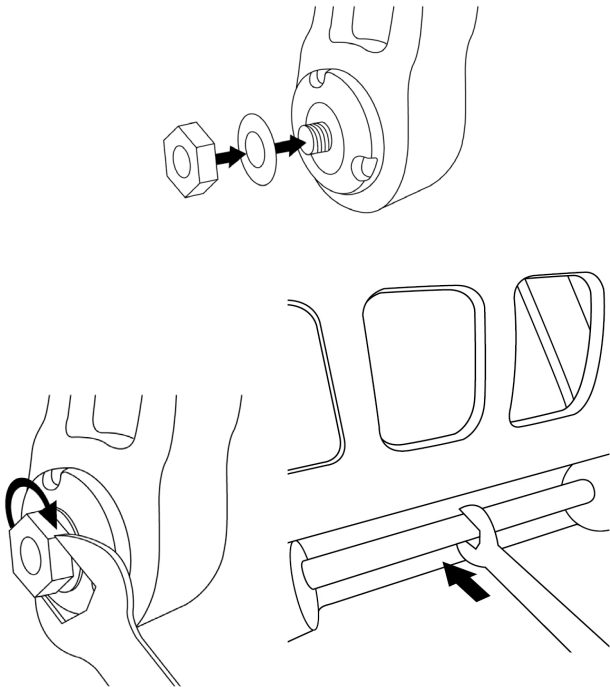
1. أدخل الدواسة (2) في الذراع الموجودة على الجسم (1).



2. فكّ البرغيّين الموجودين على الجهة الخلفية من الدواسة باستخدام مفتاح ألن 2.5 مم (8) ثم أعد ربطهما للإرفاق بذراع المستشعر.



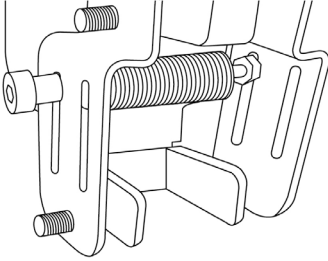
3. أدخل الحلقة (4) والصامولة (3) في الجهة العلوية ثم أحكم ربط المجموعة باستخدام المفتاح المسطح 14 مم (6) والمفتاح المسطح 8 مم (7).



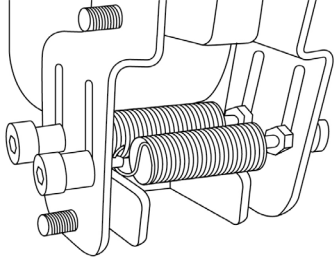
4. كرر الخطوات من 1 إلى 3 مع الدواسة الثانية.

ضبط شدّ محور التوجيه

اضبط عدد الزنبركات وموضعها على الجهة الخلفية للمنتج.
- أقل مقاومة: زنبرك واحد في الموضع المرتفع
- أعلى مقاومة: زنبركان في الموضع المنخفض



أقل مقاومة

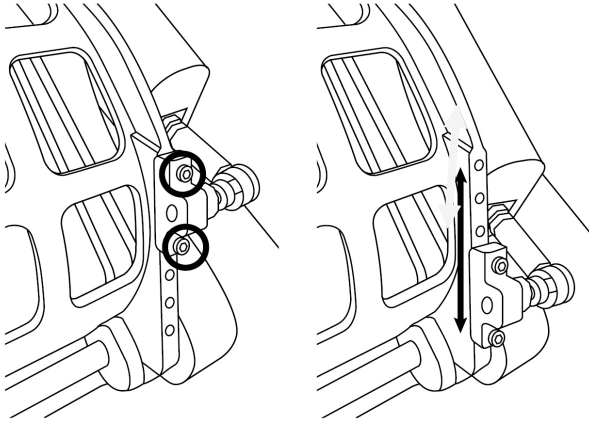


أعلى مقاومة

وفقاً للموضع المحدد، سيتراوح الشدّ بين 2.5 كجم و5 كجم.

ضبط ميل الدوّاسَتين

نقطة الضبط رقم 1:

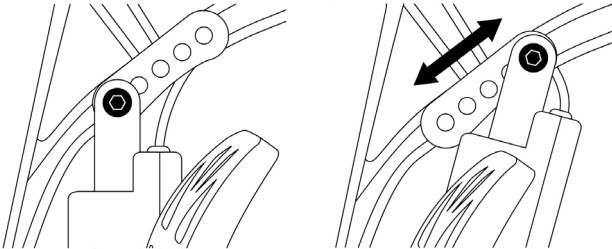


- باستخدام مفتاح ألن 2.5 مم المرفق (8)، قم بفك البرغيتين المتصلتين برأس الدواسة المعدني (2).
- أعد تثبيت الدعامة في موضعها وأعد ربط كل شيء معاً.

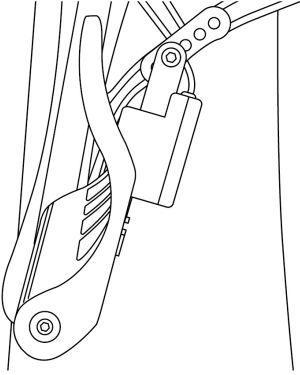
عدد المواقع الممكنة لنقطة الضبط هذه: 5

نقطة الضبط رقم 2:

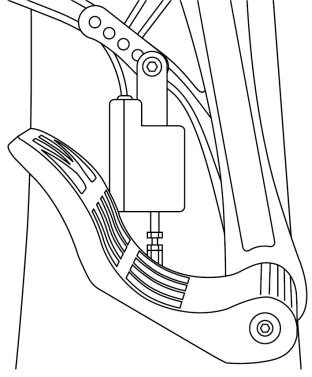
- باستخدام مفتاح ألن 3 مم المرفق (9)، قم بفك البرغي الذي يربط المستشعر بالجسم (1).
- أعد تثبيت الدعامة في موضعها وأعد ربط كل شيء معاً.



عدد المواقع الممكنة لنقطة الضبط هذه: 5



الموضع الأقل ميلاً



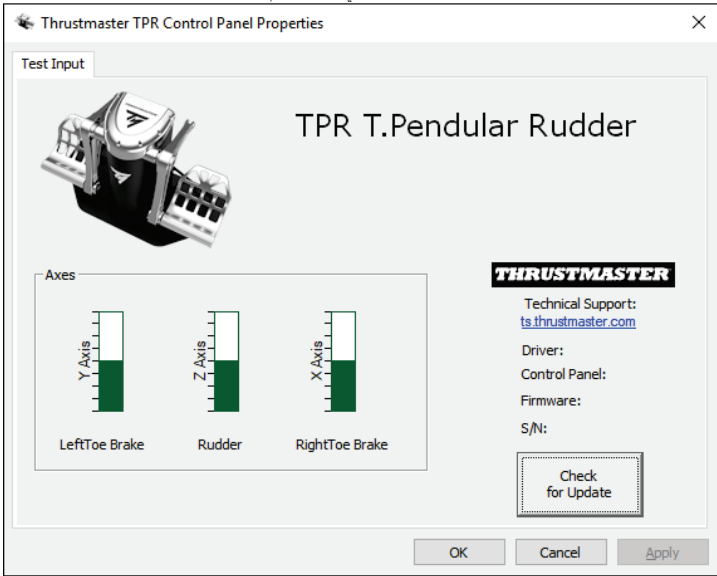
الموضع الأكثر ميلاً

وفقاً للمواضع المحددة في نقطتي الضبط 1 و2:

- ستتراوح زاوية الدواسة بين 35° و 75° .
- سيختلف نطاق حركة الدواسة.

يُرجى ملاحظة: أنه لضمان سلامة عمل المنتج، يلزم ربط كل البراغي الثلاثة الموصوفة لنقطتي الضبط 1 و2 بكل دواسة.

1. قم بزيارة الموقع <https://support.thrustmaster.com> لتنزيل برنامج التشغيل الخاص بالكمبيوتر. انقر فوق **Joysticks (أذرع اللعب) / TPR Rudder**، ثم حدد **Drivers (برنامج التشغيل)**.
2. بمجرد اكتمال التنزيل، ابدأ عملية التثبيت واتبع التعليمات على الشاشة لتوصيل موصل USB الخاص بجهاز TPR Rudder بالكمبيوتر الشخصي وإتمام عملية التثبيت.
3. بمجرد إتمام التثبيت، انقر فوق **إنهاء** وأعد تشغيل الكمبيوتر.
4. حدد البدء / كل البرامج / **Thrustmaster / Thrustmaster Hotas Warthog – TPR Rudder** / لوحة التحكم لفتح نافذة وحدات التحكم بالألعاب.
- تعرض نافذة وحدات التحكم في الألعاب الاسم **TPR T.Pendular Rudder** مع الحالة **OK**.
5. انقر فوق الخصائص لاختيار TPR Rudder وعرضه في لوحة التحكم:



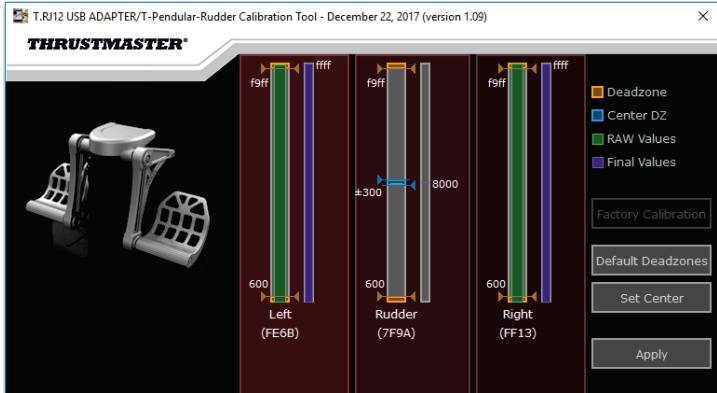
يرجى ملاحظة: أن برنامج تثبيت TPR Rudder يتدمج الآن في وحدة واحدة مع برنامج تشغيل ذراع اللعب Thrustmaster Hotas Warthog (ومن ثم فإن حزمة تثبيت كلا الملحقات متطابقة).

ملاحظات عامة حول الكمبيوتر

- احرص دائما على غلق نافذة وحدات التحكم في اللعب تماما بالنقر فوق **OK** قبل بدء اللعب.
- يظهر إصدار البرنامج الثابت لـ TPR Rudder في الجزء السفلي الأيمن من علامات تبويب لوحة التحكم.
- على جهاز الكمبيوتر الشخصي، يتوافق TPR Rudder مع:
 - كل الألعاب التي تدعم الـ USB المتعدد وأدوات التوجيه؛
 - كل أذرع اللعب الموجودة في السوق.

برنامج المعايرة المتقدمة

- يرجى زيارة الموقع <https://support.thrustmaster.com>. انقر فوق **Joysticks (أذرع اللعب) / TPR Rudder**، ثم حدد **Utilities (أدوات المساعدة)**. قم بتنزيل برنامج المعايرة المتقدمة وثبته، من أجل:
- ضبط المناطق الميتة في بداية نطاق حركة الدواسة ونهايته على محور التوجيه، وعلى محوري المكابح التفاضلية، حسبما تريد؛
 - ضبط المنطقة الميتة المركزية على محور التوجيه حسبما تريد.



بمجرد الانتهاء من التعديلات، سيتم حفظها على الفور في الذاكرة الداخلية لـ TPR Rudder.

T.A.R.G.E.T . برنامج البرمجة المتقدمة (Thrustmaster Advanced pRogramming Graphical EdiTor)

يُرجى زيارة الموقع <https://support.thrustmaster.com> وانقر فوق **Joysticks** (أزرع اللعب) / **TPR Rudder**، ثم حدد **Software** (البرنامج). قم بتنزيل برنامج البرمجة المتقدمة T.A.R.G.E.T. وتثبيته.

الميزات الرئيسية لبرنامج T.A.R.G.E.T.:

- تكوينات مختلفة ممكنة لمحاور التوجيه والمكابح التفاضلية.
- مستويات برمجة مختلفة ممكنة: Basic و Advanced و Script.
- استخدام خاصية "السحب والإفلات".
- القدرة على دمج TPR Rudder مع أزرع اللعب المتنوعة (Hotas Cougar, Hotas Warthog, T.16000M, TWCS Throttle, MFD Cougar Pack T.A.R.G.E.T.)، ما يسمح بالتعرف عليها كجهاز USB منفرد.
- الوصول إلى ملفات التعريف المتقدمة التي تم إنشاؤها من قبل مجتمع Thrustmaster.



تحديث برنامج TPR Rudder الثابت

يمكن تحديث البرنامج الثابت المضمن في TPR Rudder (أي يمكن تحديثه بالإصدارات الأحدث التي تشمل تحسينات للمنتج).

لعرض إصدار برنامج TPR Rudder الثابت لدينا وتحديثه عند الضرورة: من الكمبيوتر الشخصي، يُرجى زيارة الموقع <https://support.thrustmaster.com> وانقر فوق **Joysticks** (أزرع اللعب) / **TPR Rudder**، ثم حدد **Firmware** (البرنامج الثابت) واتبع التعليمات جنبًا إلى جنب مع إجراءات التنزيل والتثبيت.

اكتشاف الأخطاء وإصلاحها والتحذير

- أداة التوجيه لا تعمل بشكل صحيح أو تبدو معاكسة بشكل غير صحيح.
 - أوقف تشغيل الكمبيوتر وافصل موصل USB الخاص بأداة التوجيه، ثم أعد توصيل موصل USB وأعد تشغيل الكمبيوتر ثم ابدأ اللعب من جديد.
- لا يمكنني تكوين أداة التوجيه الخاصة بي:
 - في قائمة خيارات اللعبة/ وحدة التحكم/ لوحة اللعب أو ذراع اللعب لديك، حدد التكوين المناسب أو أعد تكوين خيارات وحدة التحكم بالكامل.
 - للحصول على مزيد من المعلومات، يرجى الرجوع إلى دليل مستخدم اللعبة أو التعليمات عبر الإنترنت.
 - استخدم برنامج البرمجة المتقدمة T.A.R.G.E.T. (Thrustmaster Advanced pRogramming Graphical EdiTor).
- أداة التوجيه حساسة للغاية أو ليست حساسة بما فيه الكفاية.
 - في قائمة خيارات اللعبة/ وحدة التحكم/ لوحة اللعب أو ذراع اللعب لديك، قم بضبط الحساسية والمناطق الميتة لوحدة التحكم (في حال توافر هذه الخيارات).
 - استخدم برنامج المعايرة المتقدمة.
 - استخدم برنامج البرمجة المتقدمة T.A.R.G.E.T. (Thrustmaster Advanced pRogramming Graphical EdiTor).

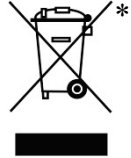
ملفات التعليمات والتلميحات (غير مضمنة في هذا الدليل)

تتوفر ملفات التعليمات والتلميحات المتنوعة عبر موقع الويب <https://support.thrustmaster.com>. انقر فوق **Joysticks (أذرع التحكم) / TPR Rudder**.

حقوق النشر © 2018 - Guillemot Corporation S.A. كافة الحقوق محفوظة. العلامة
Thrustmaster™ هي علامة تجارية مسجلة لشركة Guillemot Corporation S.A.
كافة العلامات التجارية الأخرى مملوكة لأصحابها المعنيين. الرسوم التوضيحية غير ملزمة.
وتخضع المحتويات والتصميمات والمواصفات للتغيير دون إشعار وقد تختلف من بلد إلى آخر. صنع
في الصين.

توصيات الحماية البيئية

في الاتحاد الأوروبي: عند انتهاء صلاحية المنتج، يجب عدم التخلص منه
مع النفايات المنزلية العادية، لكن يوضع في نقطة تجميع خاصة بالتخلص من نفايات
المعدات الكهربائية والإلكترونية (WEEE).
ويؤكد ذلك الرمز الموجود على المنتج أو دليل المستخدم أو الغلاف.



يمكن إعادة التدوير المواد، على حسب خصائصها. من
خلال إعادة التدوير والأشكال الأخرى لمعالجة نفايات المعدات الكهربائية والإلكترونية،
يمكنك المشاركة بفعالية في المساعدة على حماية البيئة.

يرجى الاتصال بالسلطات المحلية لديك للحصول على معلومات حول نقطة التجميع
الأقرب إليك.

بالنسبة لكافة البلدان الأخرى: يرجى الالتزام بقوانين إعادة
التدوير المحلية الخاصة بالمعدات الكهربائية والإلكترونية.

احتفظ بهذه المعلومات. قد تختلف الألوان والزخارف.
يجب إزالة المواد المثبتة واللاصقة من المنتج قبل استخدامه.

www.thrustmaster.com

*ينطبق على الاتحاد الأوروبي وتركيا فقط

CE*