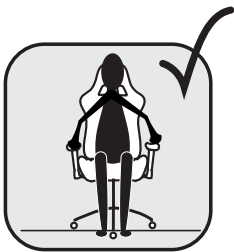
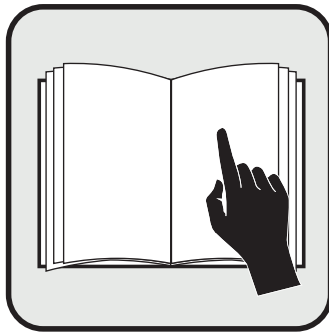


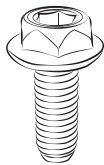
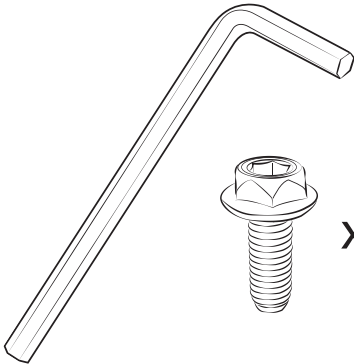
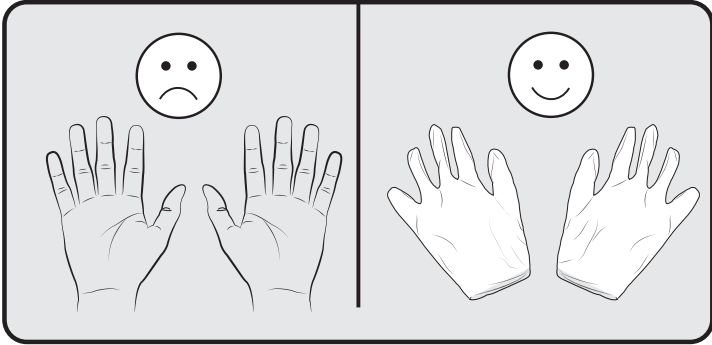
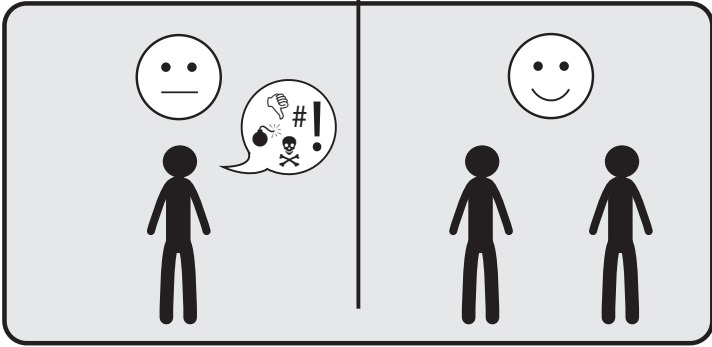
ASSEMBLY INSTRUCTIONS

# VERNAZZA

## VERONA V2 PRO | VERONA V2 MEZZO







x8

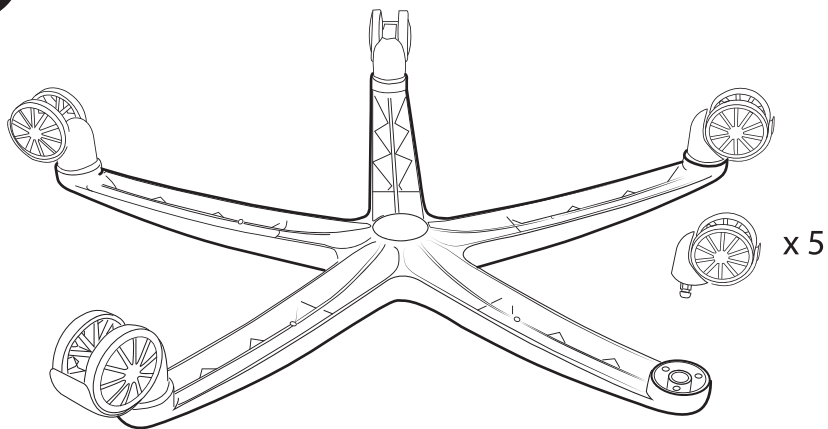


x8

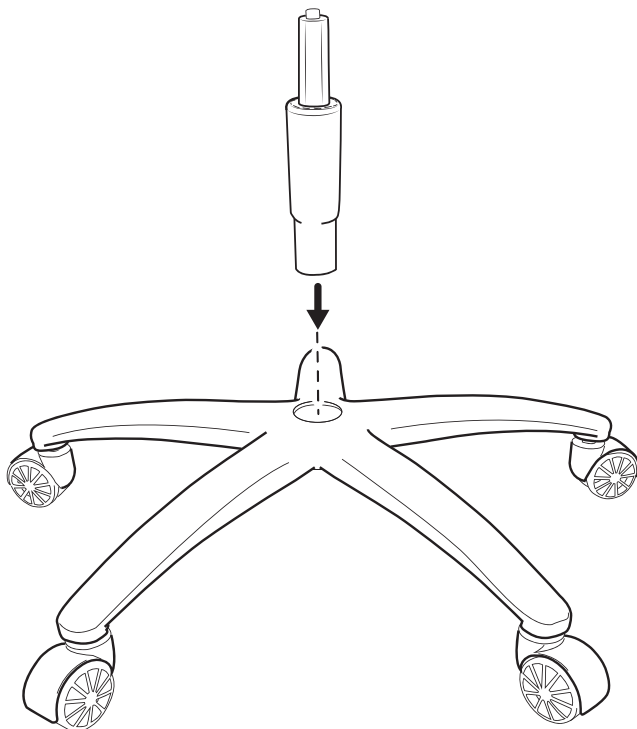


x8

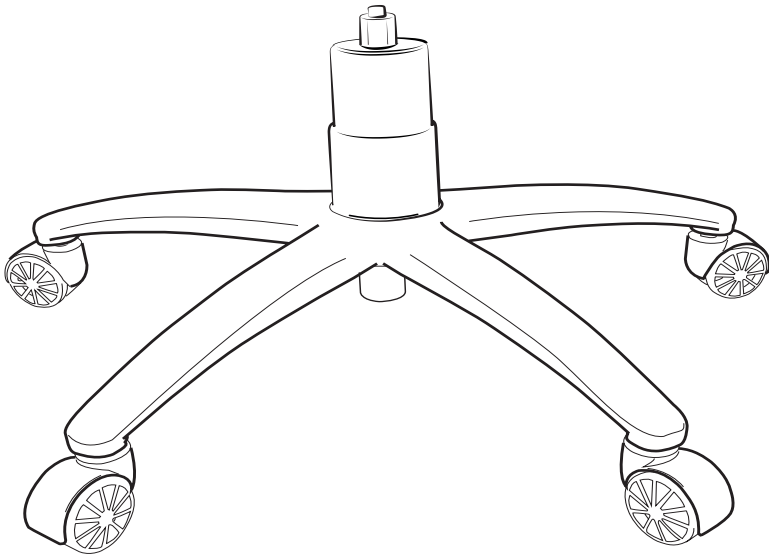
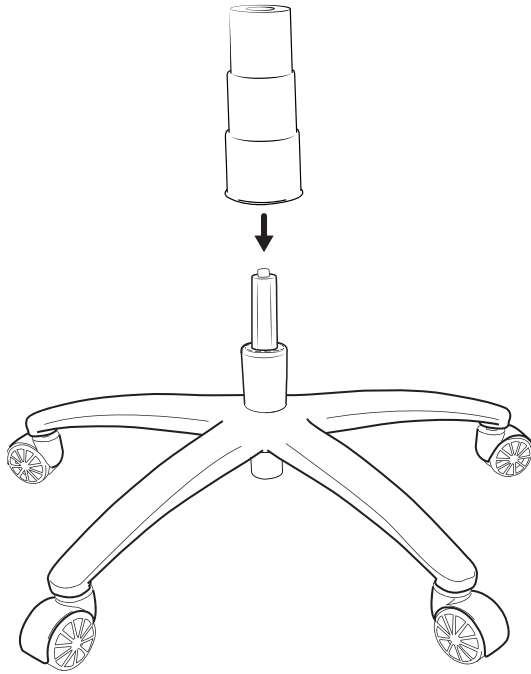
1



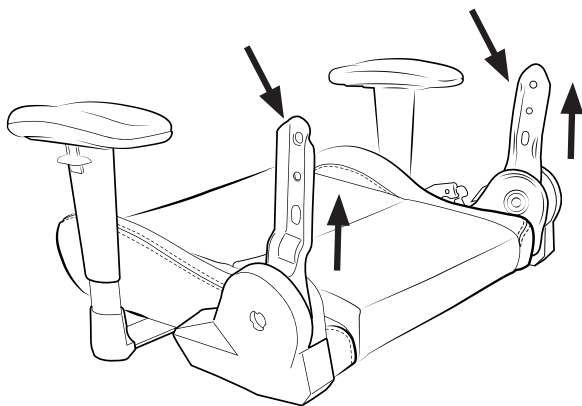
2



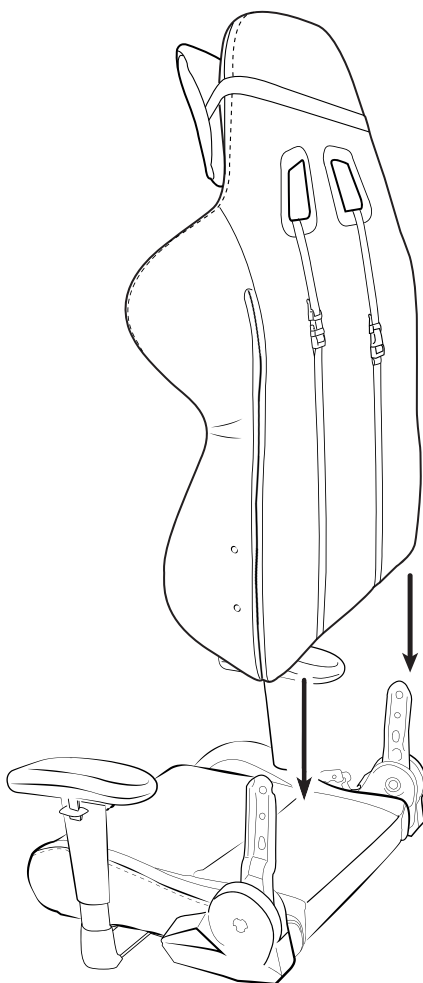
3

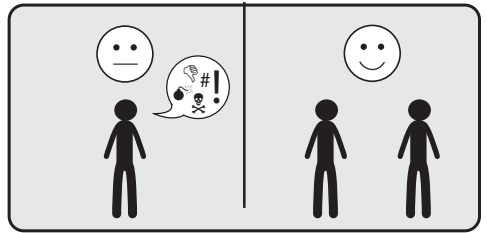
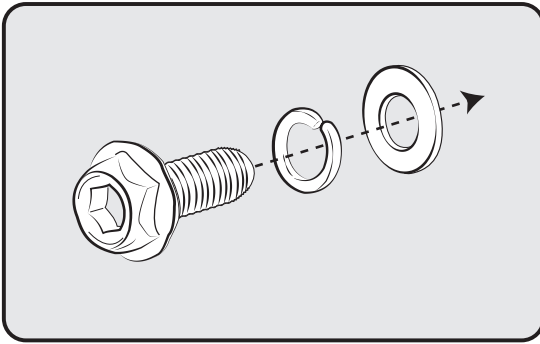


4

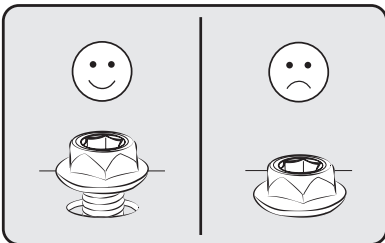
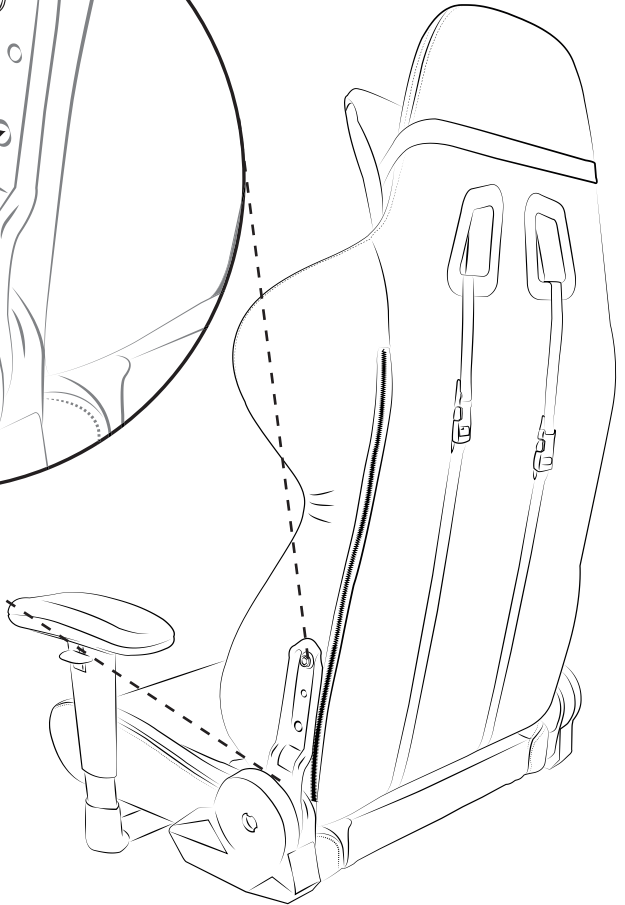
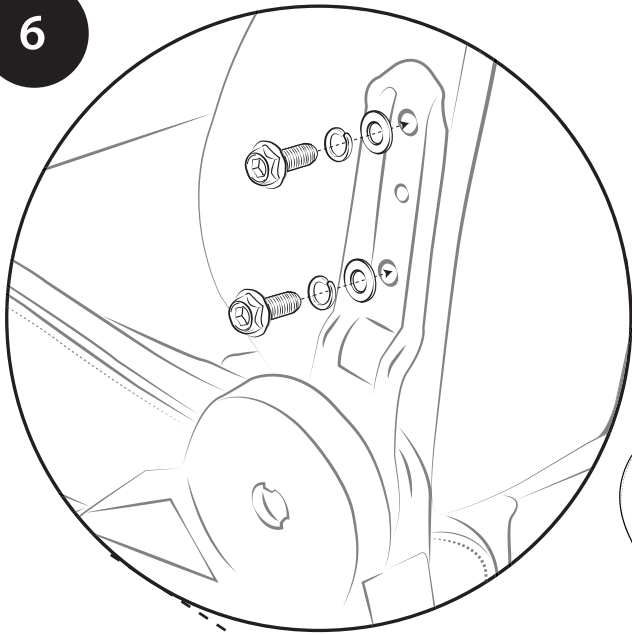


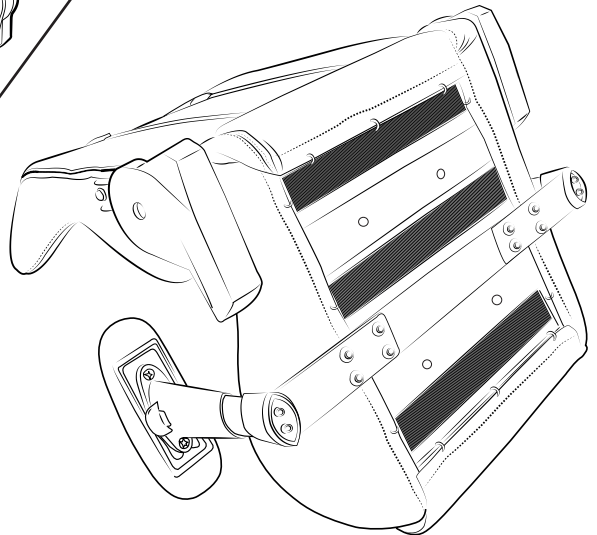
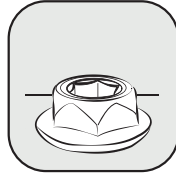
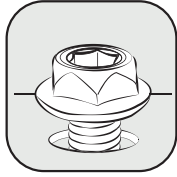
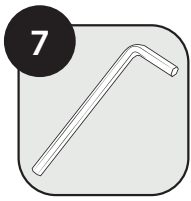
5





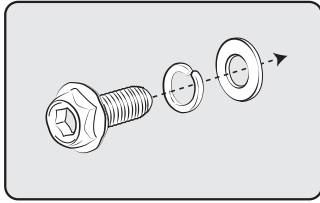
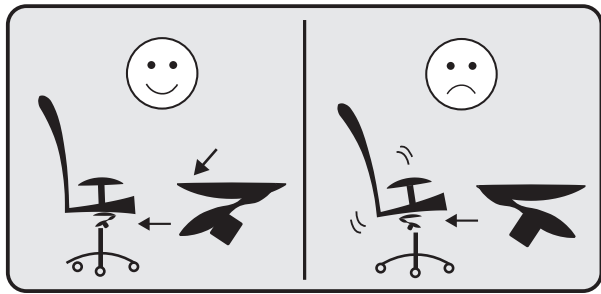
6



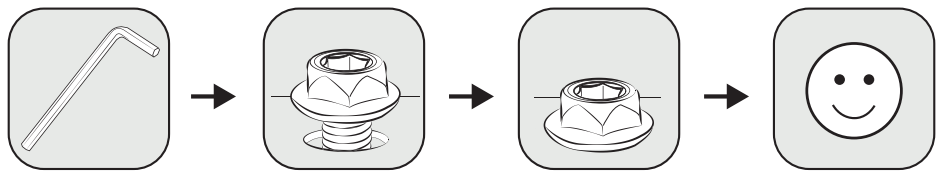
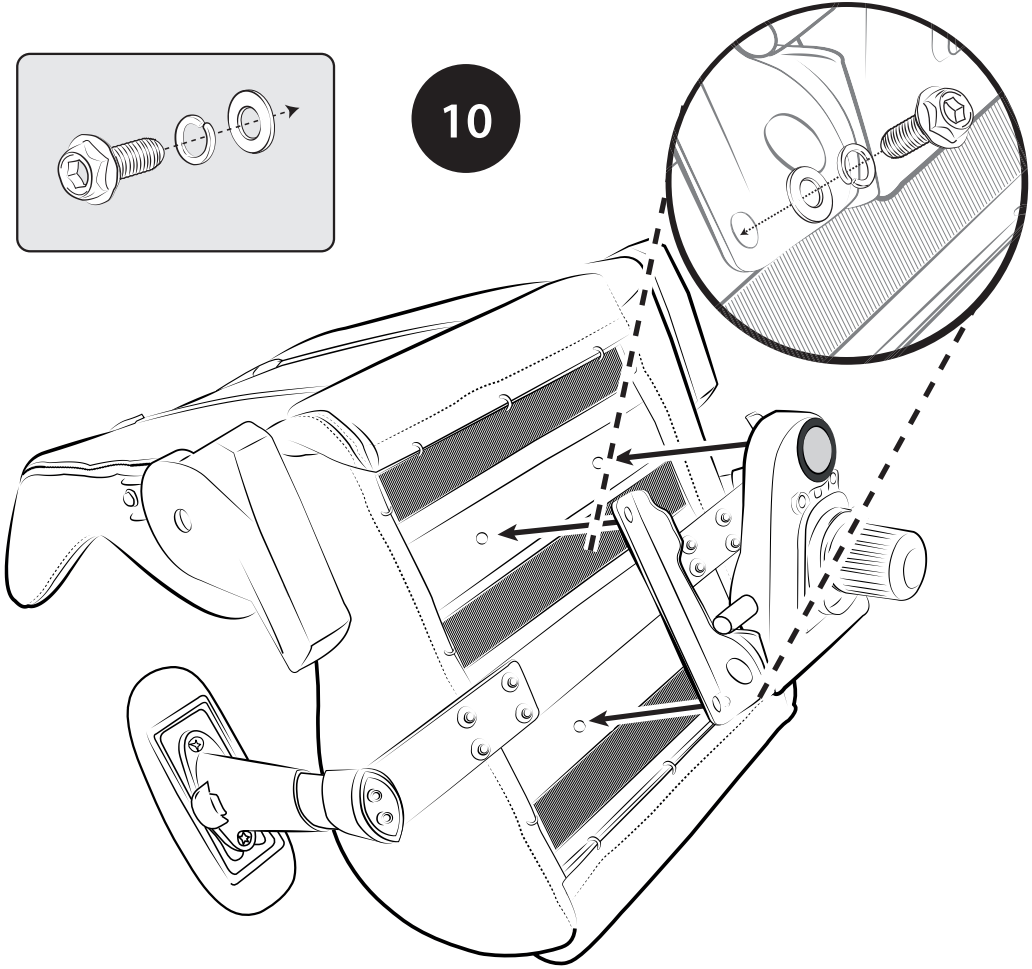




# VERONA V2 PRO VERNAZZA

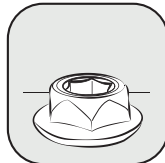
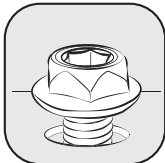
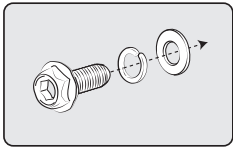
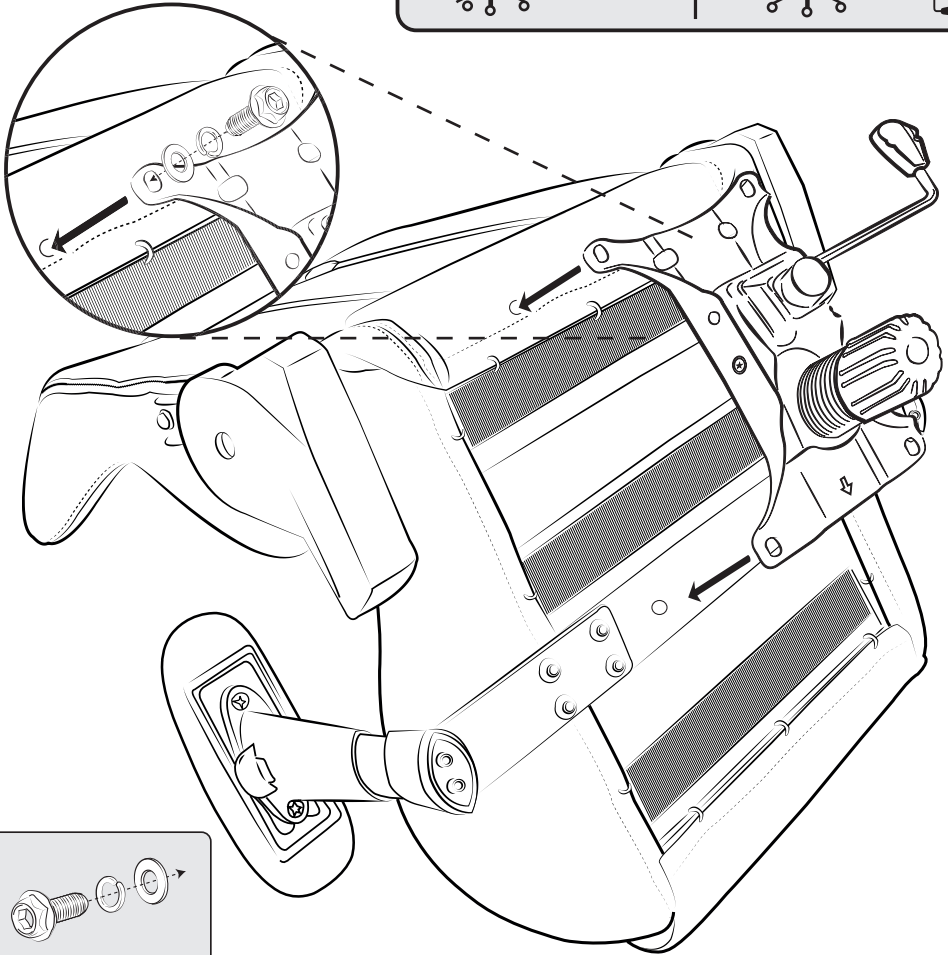
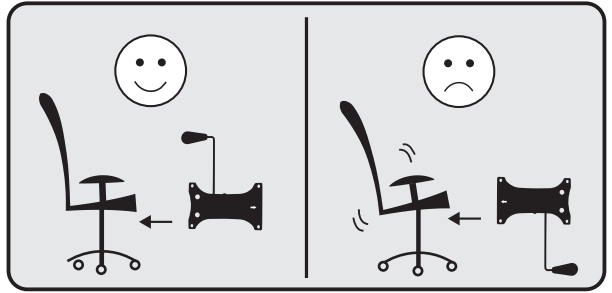


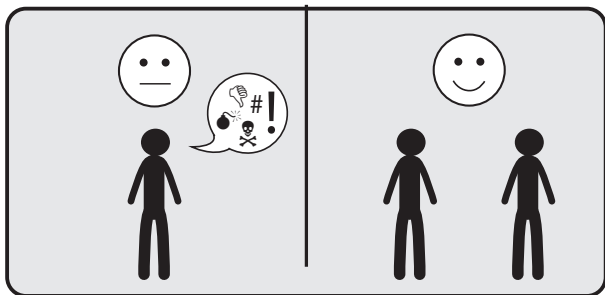
10



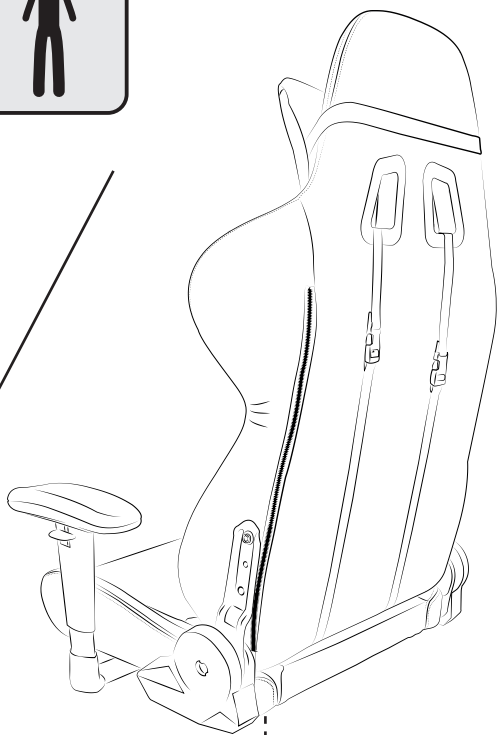
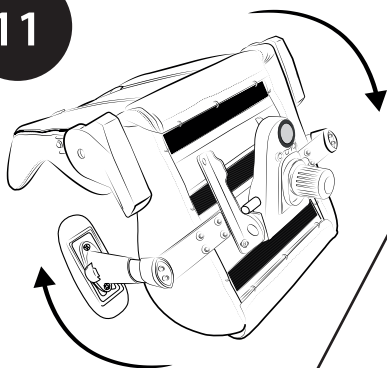
# VERONA V2 MEZZO

10

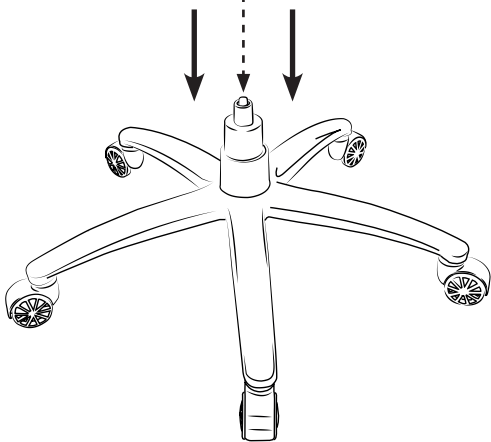




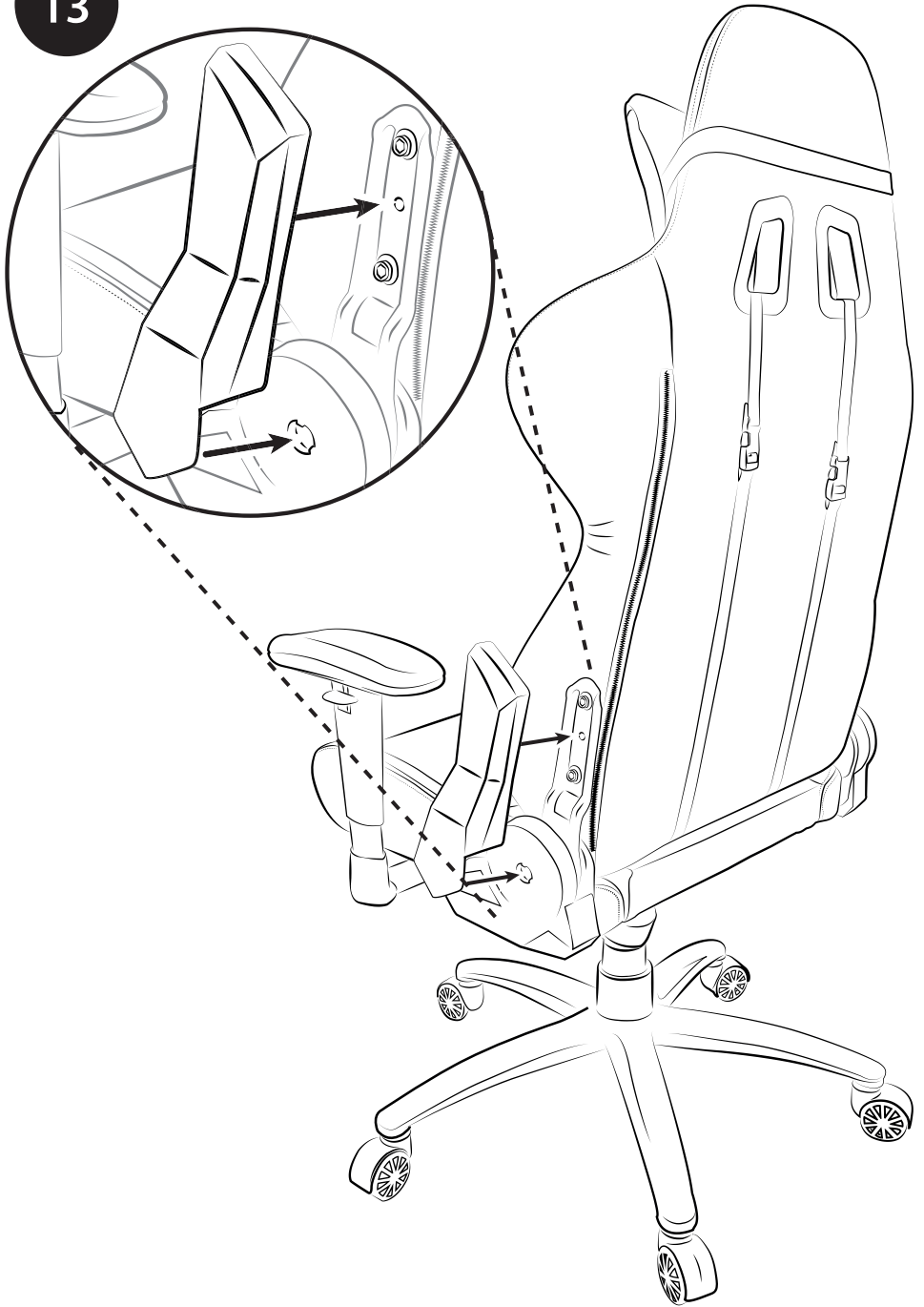
11

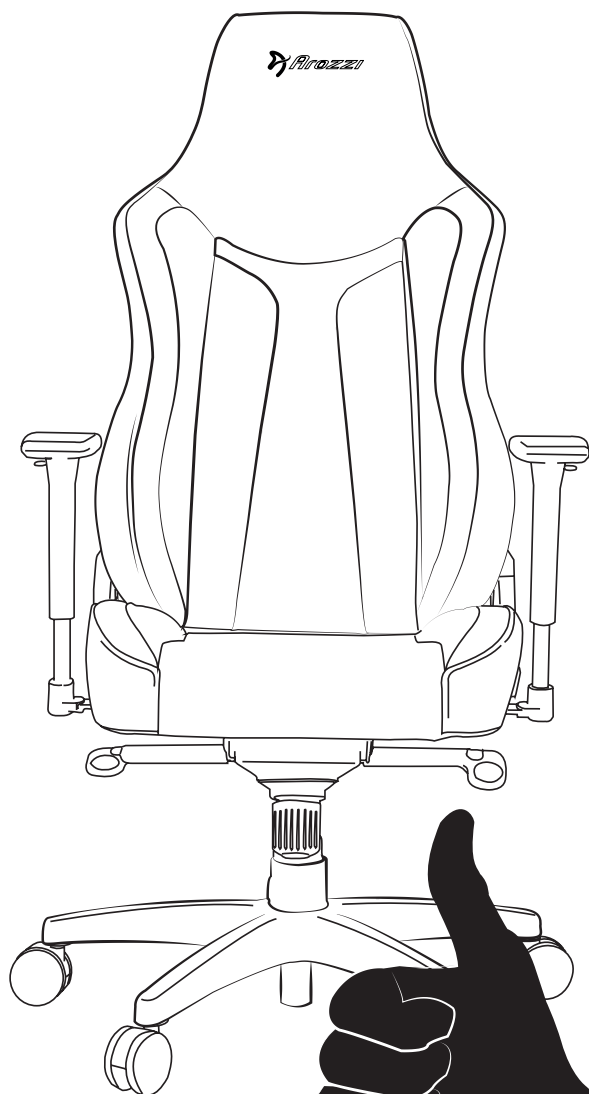


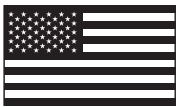
12



13







[service@arozzi.com](mailto:service@arozzi.com)



[support@arozzi.se](mailto:support@arozzi.se)

# MORE PRODUCTS FROM AROZZI



## ARENA GAMING DESK

\*NOTE Monitors and mounting arms not included.



## VISIONE EYEWEAR



[www.arozzi.se](http://www.arozzi.se)



[www.arozzi.com](http://www.arozzi.com)